

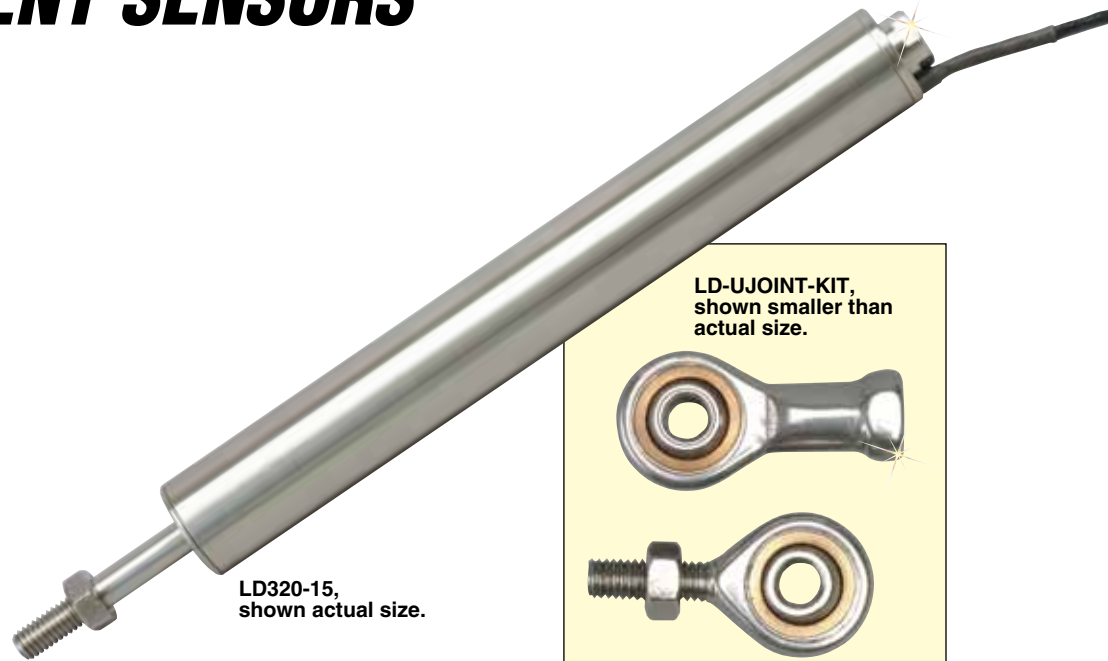
AC LVDT DISPLACEMENT SENSORS



LD320 Series



- ✓ ±2.5 to ±150 mm travel
- ✓ <0.2% Linearity
- ✓ Rugged 19 mm Dia. Stainless Steel Body
- ✓ Rigid Stainless Steel Carrier
- ✓ Guided Core with Removable Spring
- ✓ IP67 Protection

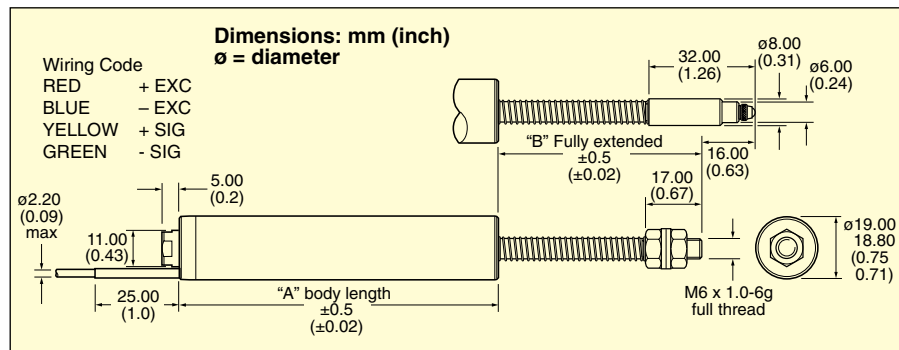


LD320-15, shown actual size.

LD-UJOINT-KIT, shown smaller than actual size.

The LD320 Series displacement sensors have a stainless steel body with improved IP67-rated sealing, coupled with new polymer guides with rigid carriers. These transducers are accurate and reliable, especially in wet and corrosive conditions.

An unusually large bore-to-core clearance is maintained throughout the range, even on transducers fitted with on-board signal conditioning. This makes installation easier and helps prevent misalignment.



SPECIFICATIONS

- Linearity:** <0.2% FSO
- Excitation:** 3 ± 1 Vrms
- Excitation Frequency:** 5 ± 0.5 kHz
- Residual Voltage at Null Position:** <0.5% FSO
- Storage Temp:** -40 to 120°C (-40 to 248°F)
- Operating Temp:** -40 to 120°C (-40 to 248°F)
- Protection Rating:** IP67
- Vibration (Sinusoidal Frequency):**
 - 10 to 50 Hz: 1 to 10 g rms linear
 - 50 Hz to 1 kHz: 10 g rms linear
- Shock:**
 - Drop Testing:** 1 m (3') onto hard surface
 - Topple Testing:** 10 times each end onto hard surface
- Case Material:** 300 SS
- Cable:** PFA, 2 m (6') long
- Core Material:** Nickel-iron

To Order

MODEL NO.	RANGE: mm (inch)	"A" DIM mm (inch)	"B" DIM mm (inch)	COMPATIBLE INSTRUMENTATION
LD320-2.5	$\pm 2.5 (\pm 0.1)$	55.0 (2.2)	31.5 (1.2)	LDX-D, LDX-2, LDX-3A, LDX-4, DPL53
LD320-5	$\pm 5 (\pm 0.2)$	74.5 (2.9)	39.0 (1.5)	LDX-D, LDX-2, LDX-3A, LDX-4, DPL53
LD320-7.5	$\pm 7.5 (\pm 0.3)$	81.7 (3.2)	41.9 (1.7)	LDX-D, LDX-2, LDX-3A, LDX-4, DPL53
LD320-10	$\pm 10 (\pm 0.4)$	96.0 (3.8)	48.8 (1.9)	LDX-D, LDX-2, LDX-3A, LDX-4, DPL53
LD320-15	$\pm 15 (\pm 0.5)$	110.4 (4.4)	58.3 (2.3)	LDX-D, LDX-2, LDX-3A, LDX-4, DPL53
LD320-25	$\pm 25 (\pm 1.0)$	131.9 (5.2)	71.1 (2.8)	LDX-D, LDX-2, LDX-3A, LDX-4, DPL53
LD320-50	$\pm 50 (\pm 2.0)$	189.5 (7.5)	106.0 (4.2)	LDX-D, LDX-2, LDX-3A, LDX-4, DPL53
LD320-75	$\pm 75 (\pm 3.0)$	239.7 (9.4)	151.9 (6.0)	LDX-D, LDX-2, LDX-3A, LDX-4, DPL53
LD320-100	$\pm 100 (\pm 3.9)$	297.2 (11.7)	291.2 (11.5)	LDX-D, LDX-2, LDX-3A, LDX-4, DPL53
LD320-150	$\pm 150 (\pm 5.9)$	412.0 (16.2)	457.3 (18.0)	LDX-D, LDX-2, LDX-3A, LDX-4, DPL53

Ordering Examples: LD320-7.5, LVDT displacement transducer, range of ± 7.5 mm (± 0.3 "). LD-UJOINT-KIT, U-joint kit.

ACCESSORIES

MODEL NO.	DESCRIPTION
LD-TIP	Tip adaptor/ball tip
LD-UJOINT-KIT	U-joint retro fit kit