

ANALOG GAGING PROBES

GP911 Series



- ✓ Spring- or Pneumatic-Actuated Models
- ✓ Exceptional Linearity Across Full Range
- ✓ Stainless Steel Body
- ✓ NEMA 12 (IP65) Environmental Rating

The GP911 Series analog gaging probes use proven LVDT technology to provide excellent linearity and repeatability in a compact, reliable unit. All analog probe heads carry a NEMA 12 (IP65) environmental rating that makes them suitable for use in harsh industrial environments.

In an analog gage probe, 2 small transformers share a common magnetic core. As the core moves, the output of one transformer increases and that of the other decreases. The out-of-balance current provides the measure of the core's position. LVDTs operate on an AC energizing voltage and require special signal conditioning.

GP911-5-P,
shown approximately
2.5x actual size.

GP911-2.5-P,
shown actual size.

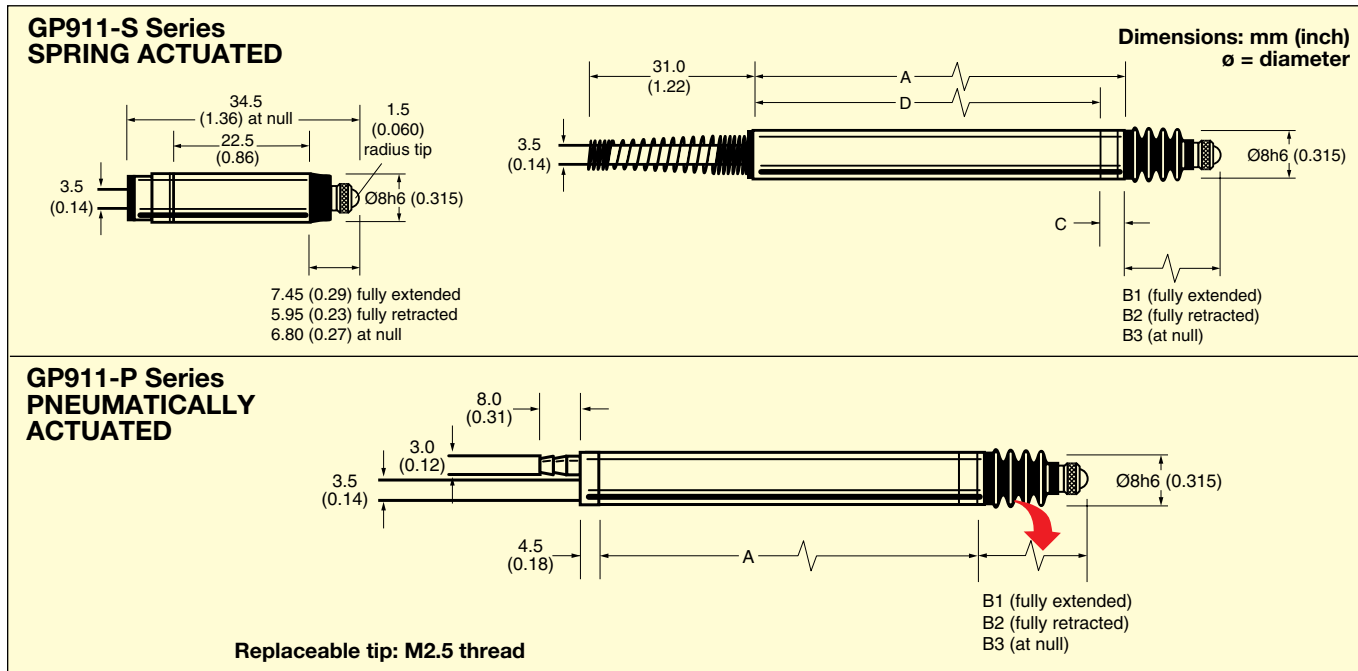
ANALOG GAGING PROBES

SPRING ACTUATED Dimensions: mm (inch)

MODEL	GP911-1-S	GP911-2.5-S	GP911-5-S
A	46.0 (1.8)	72.5 (2.8)	91 (3.6)
B1	14.15 (0.56)	17.65 (0.70)	25.65 (1.01)
B2	11.65 (0.46)	11.65 (0.46)	14.65 (0.58)
B3	12.65 (0.50)	14.75 (0.58)	20.25 (0.80)
C	3.5 (0.14)	4.0 (0.16)	4.0 (0.16)
D	42.5 (1.67)	68.5 (2.70)	87.0 (3.43)

PNEUMATICALLY ACTUATED Dimensions: mm (inch)

MODEL	GP911-1-P	GP911-2.5-P	GP911-5-P
A	51.0 (2.01)	73.0 (2.88)	98.0 (3.86)
B1	14.05 (0.55)	17.55 (0.69)	25.55 (1.01)
B2	11.05 (0.44)	11.55 (0.45)	14.55 (0.57)
B3	12.75 (0.50)	14.75 (0.58)	20.25 (0.80)



SPECIFICATIONS

Excitation Voltage: 1 to 10 Vrms
Excitation Frequency: 2 to 20 kHz
Linearity: 0.5% rdg or 0.1% FS, whichever is greater
Repeatability: 0.15 microns
Calibration Voltage: 3 Vrms
Calibration Frequency: 5 kHz
Calibration Load: 10 kΩ
Storage Temp: -40 to 100°C (-40 to 212°F)
Operating Temp: -10 to 80°C (14 to 176°F)
Temp Coefficient: 0.01% FS/°C (0.03% for 0.5 mm model)

To Order Visit omega.com/gp911 for Pricing and Details

MODEL NO.	RANGE: mm (inch)	ACTUATION
GP911-0.5-S	±0.5 (0.02)	Spring loaded
GP911-1-S	±1 (0.04)	Spring loaded
GP911-2.5-S	±2.5 (0.10)	Spring loaded
GP911-5-S	±5 (0.20)	Spring loaded
GP911-1-P	±1 (0.04)	Pneumatic
GP911-2.5-P	±2.5 (0.10)	Pneumatic
GP911-5-P	±5 (0.20)	Pneumatic

Comes complete with operator's manual.

Ordering Example: GP911-5-S, spring-loaded analog gaging probe with ±5 mm (0.20") stroke.