

# ROTARY DISCONNECT SWITCH—EXTENDED AND DIRECT HANDLES



## KU-VKA Series

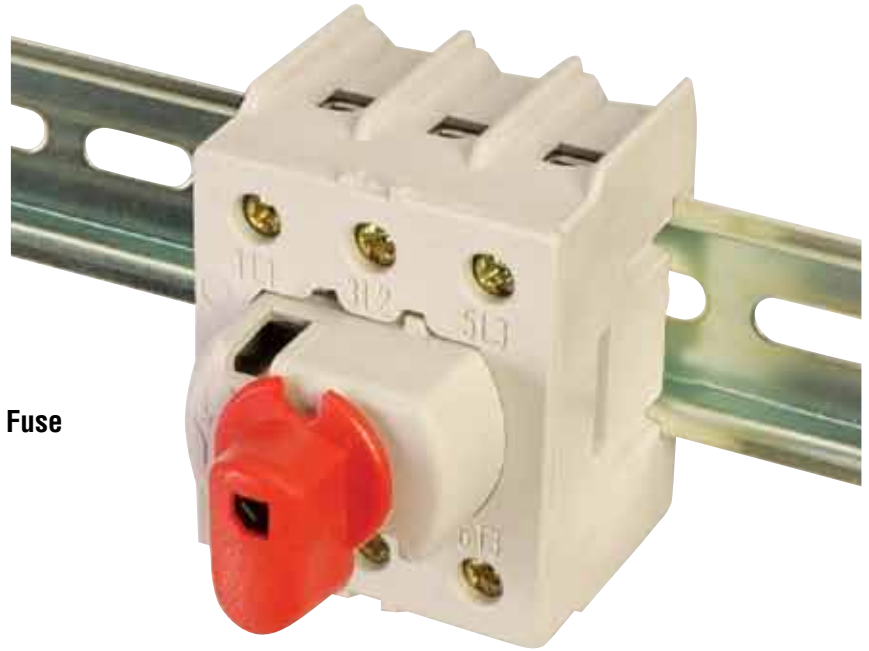


E185115

- UL 508
- General use Rating 16 to 150A/600 Vac
- Switches for Direct or Extended Handles
- Non-Fused Switches
- Interrupting Capacity 10 kA with Back-up Fuse
- Lockout Provisions for ¼" Padlocks
- DIN Rail and Panel Mount Available
- Snap-On Auxiliary Contacts

The KU-VKA Series rotary disconnect switches can be used for general purpose disconnects or as manual motor disconnect switches. They provide an economical solution for applications requiring simple power on-off switches or starting and stopping of motors. These switches are switches only and do not replace the need for fuses or circuit breakers.

They are typically installed inside of an enclosure and can be mounted directly to the back panel on DIN rail and used as an internal switch. They can also be used as an external switch, mounting accessories are available for panel mounting or mounting with an extended door interlock handle.



**AU-KU316N, 3-pole general purpose rotary disconnect switch, 16 Amp. Shown smaller than actual size. DIN rail sold separately.**

### Mounting Options

#### Panel Mounting



AU-KU models

AU-VKA models



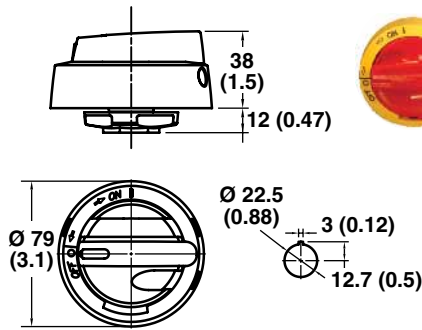
Extended handle with shaft interlock



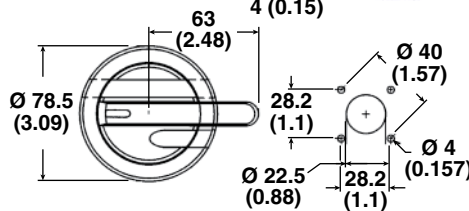
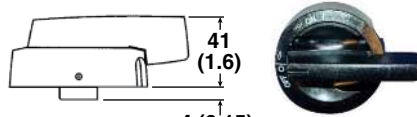
Interior direct handle on DIN rail

Disconnects sold separately

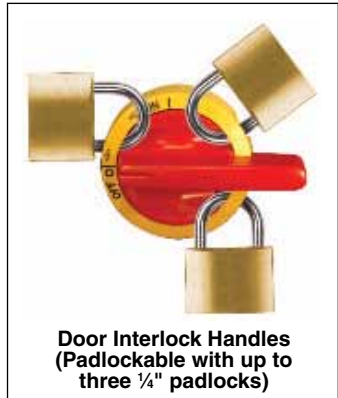
## Exterior Door Handles Both Styles Available in Black or Yellow/Red



**AU-LK10UL-YR style handles NEMA 4X (IP66) defeatable (built-in mechanism) install in 22 mm (0.86) pushbutton hole.**



**AU-LK11U style handle NEMA 4X (IP67) defeatable (looses NEMA rating).**



**Door Interlock Handles (Padlockable with up to three 1/4" padlocks)**

Dimensions: mm (inch)  
Ø = diameter

### SPECIFICATIONS

MODEL NO.	AU-KU316N	AU-KU325N	AU-KU340N	AU-KU363N	AU-VKA380N	AU-VKA3100N	AU-VKA3125N	AU-VKA3160N
<b>General Purpose Current</b>	16A	25A	40A	60A	80A	100A	125A	150A
<b>Maximum Voltage</b>	600 Vac	600 Vac	600 Vac	600 Vac	600 Vac	600 Vac	600 Vac	600 Vac
<b>Motor FLA @ 480 Vac</b>	14A	17.5A	28A	34A	—	—	—	—
<b>Motor FLA @ 600 Vac</b>	9A	11A	18A	27A	47A	54A	68A	83A
<b>H.P. Rating*</b>	1-Phase/3-Phase							
<b>110 to 120 Vac</b>	¼ /1.5	1/2	2/3	3/5	3/7.5	3/7.5	5/10	7.5/10
<b>208V AC</b>	2/3	2/5	3/7.5	5 /10	7.5/15	7.5/15	10/20	10/25
<b>220-240 Vac</b>	3/3	3/7.5	5/10	5/10	7.5/15	10/20	15/25	15/30
<b>440-480 Vac</b>	5/10	7.5/15	10/20	15/25	20/30	20/40	25/50	30/60
<b>550-600 Vac</b>	3/7.5	5/10	7.5/15	15/25	25/40	30/50	30/60	40/75
<b>Short Circuit Withstand Rating @ 600V with maximum</b>	10kA	10kA	10kA	10kA	10kA	10kA	10kA	10kA
<b>Fuse Size/Class</b>								
<b>K5</b>	50A	50A	50A	60A	150A	150A	150A	150A
<b>RK5</b>	50A	50A	50A	60A (80A @ 480 Vac)	150A	150A	150A	150A
<b>RK1</b>	80A	80A	80A	100A	—	—	—	—
<b>J</b>	80A	80A	80A	100A	200A	200A	200A	200A
<b>Terminal Size (CU Conductors only, 750C)</b>	14-8 AWG	14-8 AWG	14-8 AWG	12-4 AWG	4-1/0 AWG	4-1/0 AWG	4-1/0 AWG	4-1/0 AWG
<b>Terminal Torque</b>	16 lb/inch	16 lb/inch	16 lb/inch	16 lb/inch	50 lb/inch	50 lb/inch	50 lb/inch	50 lb/inch
<b>Weight</b>	0.19 Kg (0.42 lbs)	0.17 Kg (0.38 lbs)	0.17 Kg (0.38 lbs)	0.20 Kg (0.44 lbs)	0.48 Kg (1.1 lbs)	0.48 Kg (1.1 lbs)	0.48 Kg (1.1 lbs)	0.48 Kg (1.1 lbs)
<b>Dimensions</b>	74 H x 49.5 W x 73 mm D (2.91 x 1.95 x 2.87")				82 H x 79 W x 82 mm D (3.23 x 3.11 x 3.23")			

\* For additional voltages see online manual.



**To Order Visit [omega.com/ku-vka\\_series](http://omega.com/ku-vka_series) for Pricing and Details**

MODEL NO.	DESCRIPTION
AU-KU316N	3-pole disconnect switch, 16 A
AU-KU325N	3-pole disconnect switch, 25 A
AU-KU340N	3-pole disconnect switch, 40 A
AU-KU363N	3-pole disconnect switch, 60 A
AU-VKA380N	3-pole disconnect switch, 80 A
AU-VKA3100N	3-pole disconnect switch, 100 A
AU-VKA3125N	3-pole disconnect switch, 125 A
AU-VKA3160N	3-pole disconnect switch, 150 A
AU-KV10X38CC	Fuse holder for 30 A disconnect, Class CC fuses
AU-KV10X38	Fuse holder for 30 A disconnect, 10 x 38 midget fuses

**Accessories**

Auxillary Switches	
AU-KU1V	Auxillary switches for AU-KU disconnects, 1 N.O./1 N.C.
AU-KU2V	Auxillary switches for AU-KU disconnects, 2 N.O./2 N.C.
AU-VKA1V	Auxillary switches for AU-VKA disconnects, 1 N.O./1 N.C.
AU-VKA2V	Auxillary switches for AU-VKA disconnects, 2 N.O./2 N.C.
Interior Handle*	
AU-KKU3P	Black handle, mounts directly on AU-KU disconnect switches
AU-KKU3P-YR	Yellow/red handle, mounts directly on AU-KU disconnect switches
AU-KVKA3P-YR	Yellow/red handle, mounts directly on AU-VKA disconnect switches
AU-KVKA3P	Black handle, mounts directly on AU-VKA disconnect switches
Panel Mounting Kits	
AU-KU-LK10	Panel mounting kit with black handle for AU-KU disconnects
AU-KU-LK10-YR	Panel mounting kit with yellow/red handle for AU-KU disconnects
AU-VKA0V	Panel mounting kit with black handle for AU-VKA disconnects
AU-VKA0V-YR	Panel mounting kit with yellow/red handle for AU-VKA disconnects
Extended Handles for Door Interlocks	
AU-LK11U	Black door handle for use with interlocking shaft
AU-LK11U-YR	Yellow/red door handle for use with interlocking shaft, 22 mm (0.86") hole
AU-LK10UL	Black door handle for use with interlocking shaft, 22 mm (0.86") hole
AU-LK10UL-YR	Yellow/red door handle for use with interlocking shaft
AU-L100AD11-ST	Door interlock shaft, 100 mm L (3.9")
AU-L200AD11-ST	Door interlock shaft, 200 mm L (7.9")
AU-L300AD11-ST	Door interlock shaft, 300 mm L (11.8")

\* Snaps directly on disconnect switch.

**Ordering Examples:** AU-KU316N, 16 A 3-pole DIN rail mounting disconnect, and AU-KKU3P black handle for direct mounting on disconnect.  
AU-KU325N, 25 A 3-pole disconnect, AU-VKA0V-YR panel mounting kit with yellow/red handle.  
AU-KU340N, 40 A 3-pole disconnect, AU-LK11U black pistol grip lockable handle, and AU-L200AD11-ST 200 mm door interlock shaft.