

HIGH LEVEL INDICATOR

LV160 Series



- ✓ Adjustable Versions for Various Tank Sizes
- ✓ Rugged Construction
- ✓ Standard 2 NPT Mounting

The LV160 Series high level indicators have a 2 NPT mounting, making them ideal for use in underground and aboveground storage tanks. When mounted vertically at the tank top, the unit reliably indicates high liquid level. The unit's rugged construction and multiple design options make it adaptable for just about any environment. The indicator is available in brass or stainless steel, making it suitable for use with a wide range of liquids.

Adjustable versions are available for varying tank sizes. A special cinch nut on the mounting allows the stem to travel up or down to fine-tune actuation points. The extent of the adjustment depends on the unit's length and distance from the mounting to the highest float stop. The LV160 Series is offered in integral 1 foot lengths. For other lengths, adaptor systems are available. They consist of 2 parts: the LVR-CBR coupling (2 x 2 FNPT) and an LVR-B pipe nipple (2 x 2 MNPT) of various lengths to change the insertion depth of the sensor. When using the adaptors, retaining clip pliers are required to remove the float for installation.

SPECIFICATIONS

Wetted Materials:

Stem and Mounting:

Brass or 316 stainless steel

Float: Buna or 316 stainless steel

Operating Temperature:

Brass with Buna:

Water: up to 82.2°C (180°F)

Oil: -40 to 110°C (-40 to 230°F)

316 SS: -40 to 148.9°C (-40 to 300°F)

Pressure Limitations: Up to 150 psig for Buna float units or when used with 316SS adaptors; up to 750 psig for 316SS float units.

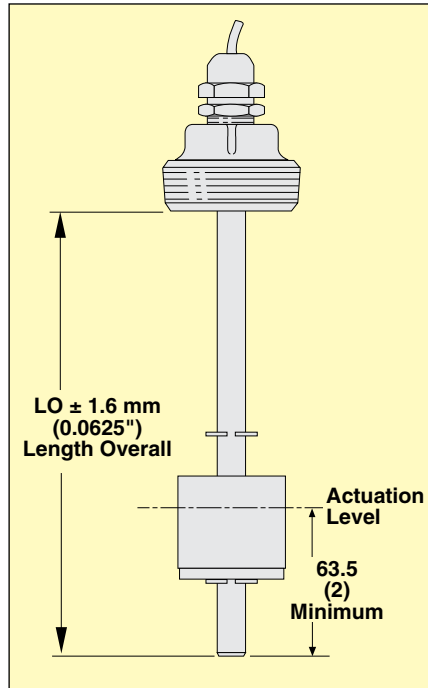
Accuracy: ±3.2 mm (0.25")

Switch Rating: 20 VA, 120-240 Vac pilot duty; 20 W, 50-240 Vdc resistive

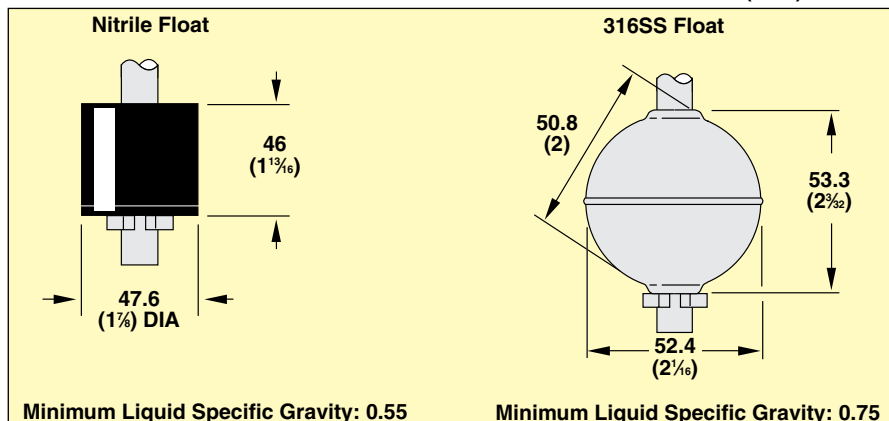
Cable: 24" 2-Conductor PVC jacketed

Weight: 0.7 kg (1.5 lb) + 3.7 g/cm (0.25 lb/ft) for indicators; 0.7 kg (1.5 lb) for LVR-CB

Actuation Level

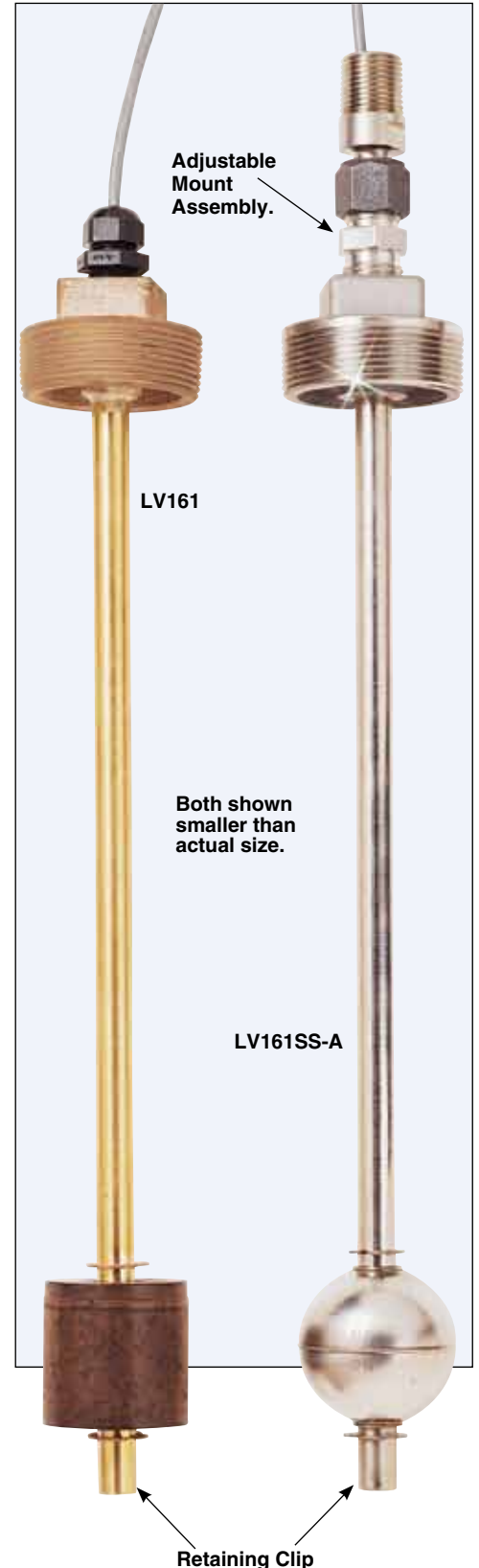


Dimensions: mm (inch)

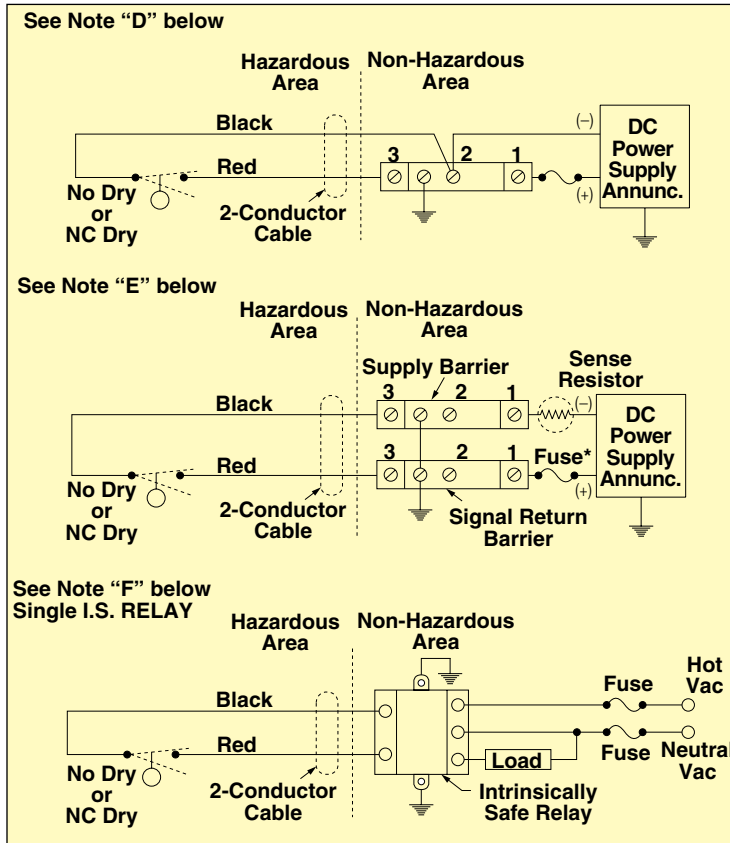


Minimum Liquid Specific Gravity: 0.55

Minimum Liquid Specific Gravity: 0.75



Typical Wiring Diagrams

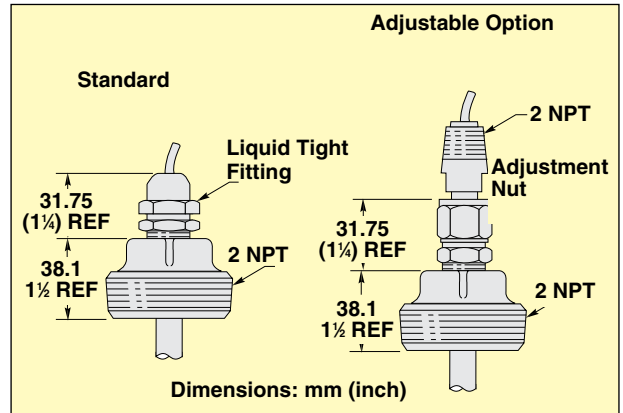


D: Non-isolated System-Zener Barrier

E: Isolated System-Zener Barrier

F: If two signal lines must be maintained above ground potential, an individual zener barrier is required per single line

Mounting Types



LVR-B Pipe Nipples

LVR-CB Coupling



To Order

Brass/Buna Std Mount	316 SS Std Mount	"LO" Length
Model No.	Model No.	
LV161	LV161SS	0.3 m (1')
LV162	LV162SS	0.6 m (2')
LV163	LV163SS	0.9 m (3')
LV164	LV164SS	1.2 m (4')
LV165	LV165SS	1.5 m (5')
LV166	LV166SS	1.8 m (6')

Accessory

Model No.	Description
LVR-CBR	125 lb. brass coupling with 2 x 2 FNPT

125 lb. Brass Pipe Nipples

Model No.	Weight	Insertion Length Change	Model No.	Weight	Insertion Length Change	Model No.	Weight	Insertion Length Change
LVR-B4	1 lb	2 5/8"	LVR-B7	2 lb	5 5/8"	LVR-B13	3 3/4 lb	11 5/8"
LVR-B5	1 3/8 lb	3 5/8"	LVR-B9	2 1/2 lb	7 5/8"			
LVR-B6	1 3/4 lb	4 5/8"	LVR-B11	3 1/4 lb	9 5/8"			

Comes complete with operator's manual.

For units with adjustable mount, add suffix "-A" to model number, for brass and 316 SS units, for additional cost.

Ordering Examples: LV163, level switch with brass/buna construction and "LO" length of 36".

LV166SS-A, level switch with all 316 SS construction, adjustable mount, and an "LO" length of 72".

LVR-B11, brass nipple and LVR-CB, brass coupling. This adaptor system will decrease overall insertion length by 9 5/8".