

STRIP HEATERS

WS Series



- ✓ 2½" (6 cm) Wide
- ✓ Rugged, Reliable, Premium Quality
- ✓ 400 to 1500 Watt
- ✓ 2 Terminals at Right Angle at One End
- ✓ CSA Certified

The OMEGALUX® WS series strip heater features 2 terminals placed at a right angle on one end. A standard width of 2½" (6 cm) makes them ideal for most strip heater applications.



WS-850/120 shown smaller than actual size.

SPECIFICATIONS

Sheath Material:

Iron or Chrome Steel

Maximum Sheath Temperature:

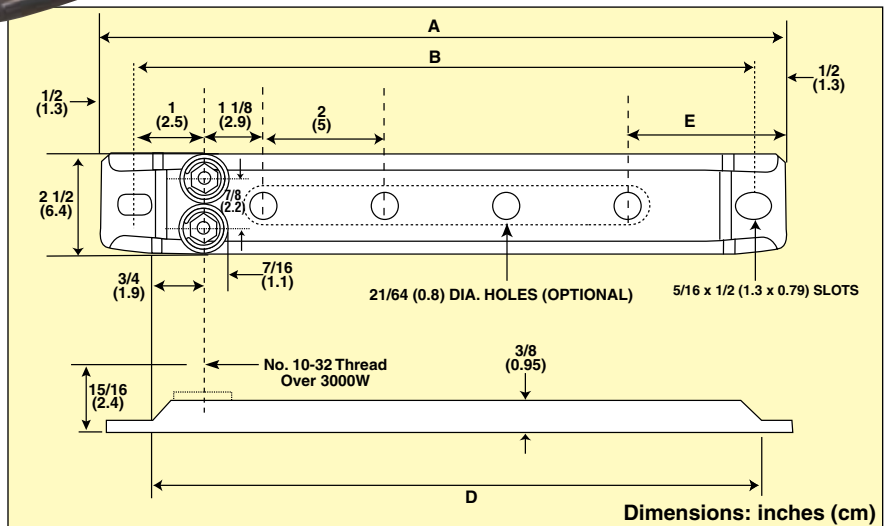
Iron: 399°C (750°F)

Chrome Steel: 649°C (1200°F)

Power: 120 or 240 Vac

CAUTION AND WARNING

Fire and electrical shock may result if products are used improperly or installed or used by non-qualified personnel. See inside back cover for additional warnings.



To Order Visit omega.com/ws_heater for Pricing and Details

Rust-Resisting Sheath								Chrome Steel Sheath			
Model No.	Dimensions: in (cm)				No of Mtg Holes**	Watts	W/In ² †	Model No.	Watts	W/In ² †	Weight lb (kg)
	A	B	D	E							
WS-640/*	6½ (17)	5½ (14)	5 (13)	17/8 (5)	2	400	14	WS-605/*	500	25	0.75 (0.3)
WS-850/*	8½ (22)	7½ (19)	7 (18)	17/8 (5)	3	500	16	WS-806/*	600	19	1.0 (0.4)
WS-1260/*	12 (30)	11 (28)	10½ (27)	33/8 (9)	4	600	12	WS-1208/*	800	16	1.40 (0.6)
WS-1575/*	15¼ (39)	14¼ (36)	13¾ (35)	25/8 (7)	6	750	11	WS-1501/*	1000	14	1.88 (0.9)
WS-2185/*	21 (53)	20 (51)	19½ (50)	23/8 (6)	9	850	8	WS-2101/*	1250	12	2.28 (1)
WS-2510/*	25½ (65)	24½ (62)	24 (61)	25/8 (7)	11	1000	8	WS-2515/*	1500	12	2.63 (1.2)

Note: If terminal housing is required with a WS strip heater, use a type SE-AC-1 mounted sideways. Ceramic post terminal insulators can also be used.

* Designate voltage, i.e., insert "120" for 120 Vac or "240" for 240 Vac.

** 21/64" diameter holes optional. Standard heaters have two mounting holes.

† To determine maximum allowable watt density, see Figures C-8 or C-9 available at omega.com.

Ordering Example: WS-1575/240, 2½" wide, 240 Vac strip heater.