

STRIP HEATERS—ONE TERMINAL AT EACH END

S Series



S-1430/120 shown smaller than actual size.



- ✓ 1½" (3.8 cm) Wide
- ✓ Rugged, Reliable, Premium Quality
- ✓ 150 to 2250 Watt
- ✓ UL Component Recognized and CSA Certified

OMEGALUX® "S" Series strip heaters are supplied with either a rust-resisting iron or chrome steel sheath to a width of 1½" (3.8 cm). Selecting the sheath material depends upon the process and

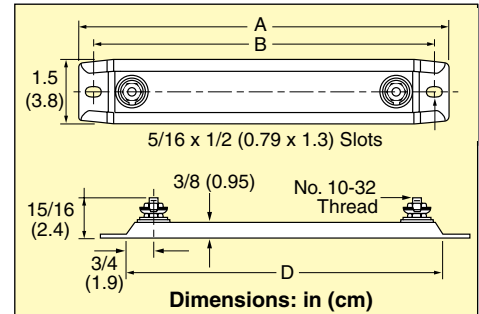
environment that the heaters would be exposed too. The "S" series features one terminal on each end conforming in many applications. Additional strip heater application guidelines are available from OMEGA.

SPECIFICATIONS

Sheath Material: Rust resisting iron and chrome steel

Max Sheath Temp: Iron 399°C (750°F), chrome steel 649°C (1200°F)

Power: 120 or 240 Vac



CAUTION AND WARNING
Fire and electrical shock may result if products are used improperly or installed or used by non-qualified personnel. See inside back cover for additional warnings.

To Order

Dimensions: in (cm)			Rust-Resisting Iron Sheath			Chrome Steel Sheath			Wt. lb (kg)
A	B	D	Watts	W/in ² †	Model No.	Watts	W/in ² †	Model No.	
8 (20)	7 (18)	6½ (17)	150	10	S-815/*	250	17	S-802/*	0.63 (0.16)
9½ (24)	8½ (22)	8 (20)	200	10	S-920/*	300	15	S-903/*	0.75 (0.34)
12 (30)	11 (28)	10½ (27)	250	9	S-1225/*	250	9	S-1202/*	0.94 (0.43)
12 (30)	11 (28)	10½ (27)	—	—	—	500	17	S-1205/*	0.94 (0.43)
14 (36)	13 (33)	12½ (32)	300	8	S-1430/*	500	14	S-1405/*	1.06 (0.48)
15¼ (39)	14¼ (36)	13¼ (35)	325	8	S-1532/*	500	12	S-1505/*	1.19 (0.54)
17½ (45)	16¾ (43)	16¾ (42)	375	8	S-1837/*	500	10	S-1805/*	1.44 (0.65)
17½ (45)	16¾ (43)	16¾ (42)	500	10	S-1850/*	750	15	S-1807/*	1.44 (0.65)
17½ (45)	16¾ (43)	16¾ (42)	—	—	—	1000	20	S-1801/*	1.44 (0.65)
19½ (50)	18½ (47)	18 (46)	500	9	S-1950/*	500	9	S-1905/*	1.5 (0.68)
19½ (50)	18½ (47)	18 (46)	—	—	—	750	13	S-1907/*	1.57 (0.71)
19½ (50)	18½ (47)	18 (46)	—	—	—	1000	18	S-1901/*	1.57 (0.71)
21 (53)	20 (51)	19½ (50)	500	8	S-2050/*	500	9	S-2005/*	1.75 (0.79)
23¾ (60)	22¾ (58)	22¼ (57)	250	4	S-2425/*	500	7	S-2405/*	1.88 (0.85)
23¾ (60)	22¾ (58)	22¼ (57)	500	7	S-2450/*	750	10	S-2407/*	1.88 (0.85)
23¾ (60)	22¾ (58)	22¼ (57)	—	—	—	1000	14	S-2401/*	1.88 (0.85)
23¾ (60)	22¾ (58)	22¼ (57)	—	—	—	1500	21	S-2415/*	1.88 (0.85)
25½ (65)	24½ (62)	24 (61)	750	10	S-2575/*	1000	12	S-2501/*	2.01 (0.91)
26¾ (68)	25¾ (65)	25¼ (64)	700	8	S-2670/*	750	9	S-2607/*	2.13 (0.97)
30½ (77)	29¾ (75)	28 (71)	750	8	S-3075/*	750	8	S-3007/*	2.13 (0.97)
33½ (85)	32¾ (82)	31 (79)	750	7	S-3375/*	1000	10	S-3301/*	2.63 (1.2)
35¾ (91)	34¾ (88)	33¾ (85)	1000	7	S-3610/*	1000	9	S-3601/*	2.83 (1.3)
38½ (98)	37¾ (95)	36 (91)	1000	8	S-3810/*	1000	8	S-3801/*	3.0 (1.4)
42½ (108)	41¾ (105)	40 (102)	1250	9	S-4312/*	1000	11	S-4301/*	3.38 (1.5)

* Designate voltage, i.e.; insert "120" or "240" for voltage. Additional strip heater models available with other widths and configurations. Contact OMEGA.

† To determine maximum allowable watt density, see Figures online.

Ordering Examples: S-1405/120, 120 Vac, strip heater with chrome steel sheath and one terminal at each end.

S-815/120, 120 Vac strip heater with rust-resisting iron sheath and one terminal at each end.