

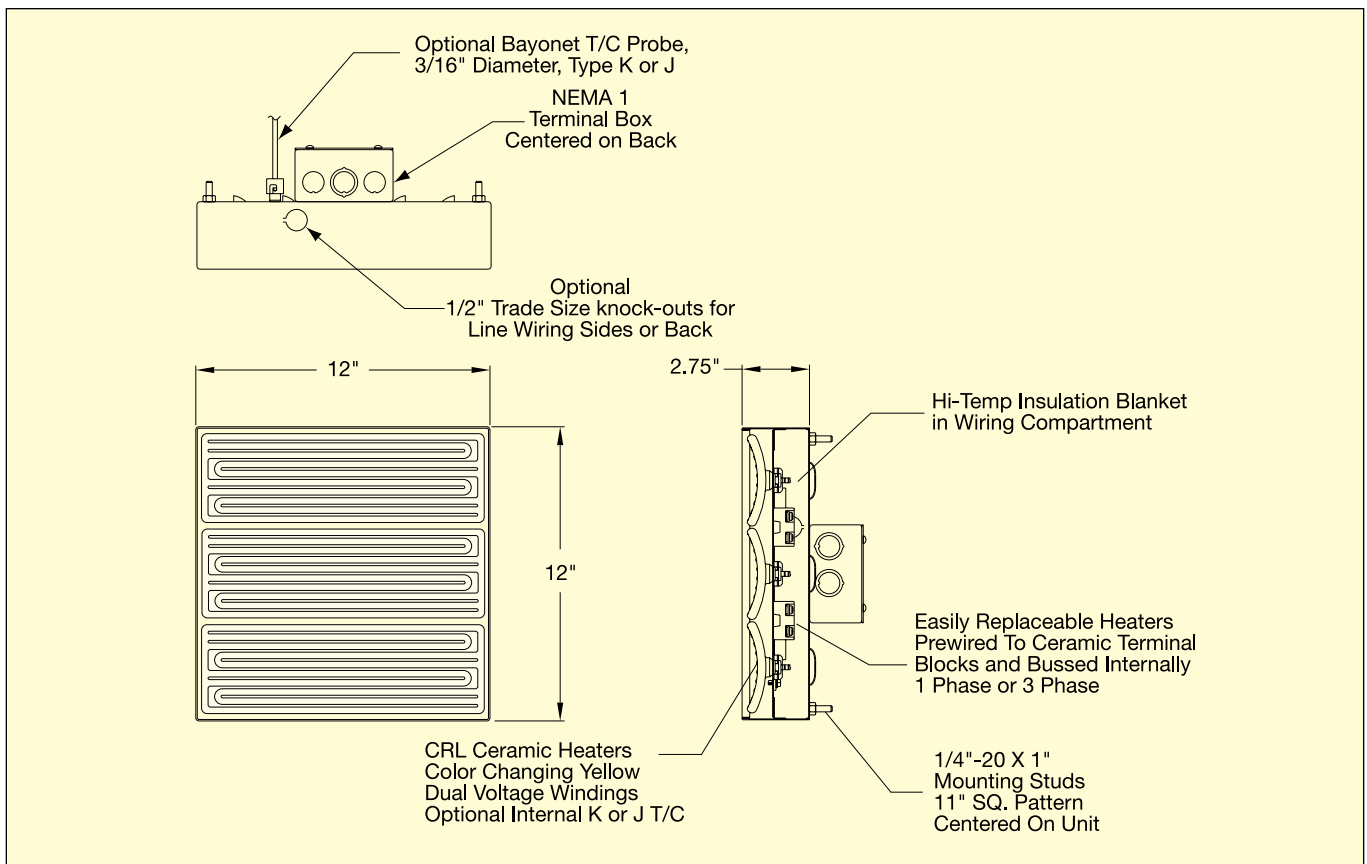
CRP Panel Heater 0.3 x 0.3 m (12 x 12") Modular Panels

CRP Series

- New Cost Effective and Self-Contained Ceramic Infrared Panel Heater
- Offers Ease of Installation and Trouble-Free Performance
- Standard Colors are Metamorphing Yellow (Cold) to Orange (Hot), and Traditional White. Optional Colors are Metamorphing Rose (Cold) to Grey (Hot) and Black
- Low Profile 20 gallon Aluminized Steel or Stainless Steel Housing
- Standard Stocked Voltage: 120, 220 to 240V or 480V as Noted; Other Voltages are Available
- Low Noise Type K Thermocouple Mounted Internally in Center Heater. Optional Type J Thermocouple is also Available
- Watt Density Range: From 11 watts/in² to 35 watts/in²
- Standard Operating Temperature Range 399 to 704°C (750 to 1300°F)
- Best When used at Radiation Distances of 102 to 254 mm (4 to 10") From Application
- Performance is Unaffected By Vibration or Adverse Atmospheric Conditions.
- 3 to 6 μm Infrared Radiation Wavelength
- Made to Order/Custom Products Available



Three CRL E-Mitter heaters in one panel.
Metamorphing yellow to orange.





CRP Panel Heater Standard Ratings of Modular 0.3 x 0.3 m (12 x 12") Radiant Panels

Aluminized Steel Housing with NEMA 1 Terminal Box (4 in² x 2½" deep)

| To Order Visit omega.com/crp_series for Pricing and Details | | | | | | | | | | | |
|---|----------|----------|----------|----------|----------|----------|----------|----------|----------|------|-----------------------------------|
| 120V | | 240V-1Ph | | 240V-3Ph | | 480V-1Ph | | 480V-3Ph | | KW | Watt Density (W/in ²) |
| No T/C | K T/C | No T/C | K T/C | No T/C | K T/C | No T/C | K T/C | No T/C | K T/C | | |
| Model No. | | | | | | | | | | | |
| CRP20001 | CRP20002 | CRP20003 | CRP20004 | CRP20005 | CRP20006 | CRP20007 | CRP20008 | CRP20009 | CRP20010 | 1.50 | 11.6 |
| CRP20011 | CRP20012 | CRP20013 | CRP20014 | CRP20015 | CRP20016 | CRP20017 | CRP20018 | CRP20019 | CRP20020 | 2.25 | 17.4 |
| — | — | CRP20021 | CRP20022 | CRP20023 | CRP20024 | CRP20025 | CRP20026 | CRP20027 | CRP20028 | 3.00 | 23.0 |
| — | — | CRP20029 | CRP20030 | CRP20031 | CRP20032 | CRP20033 | CRP20034 | CRP20035 | CRP20036 | 3.75 | 29.0 |
| — | — | CRP20037 | CRP20038 | CRP20039 | CRP20040 | CRP20041 | CRP20042 | CRP20043 | CRP20044 | 4.50 | 35.0 |

Note: K thermocouple panels have one low noise internal thermocouple in center heater with extension wires routed into rear terminal box.

Ordering Example: CRP20002, 1.5 KW, 120 Vac radiant panel heater with K thermocouple.

Stainless Steel Housing with NEMA 1 Terminal Box (Medical or Food Applications)

| 120V | | 240V-1Ph | | 240V-3Ph | | 480V-1Ph | | 480V-3Ph | | KW | Watt Density (W/in ²) |
|-----------|----------|----------|----------|----------|----------|----------|----------|----------|----------|------|-----------------------------------|
| No T/C | K T/C | No T/C | K T/C | No T/C | K T/C | No T/C | K T/C | No T/C | K T/C | | |
| Model No. | | | | | | | | | | | |
| CRP20045 | CRP20046 | CRP20047 | CRP20048 | CRP20049 | CRP20050 | CRP20051 | CRP20052 | CRP20053 | CRP20054 | 1.50 | 11.6 |
| CRP20055 | CRP20056 | CRP20057 | CRP20058 | CRP20059 | CRP20060 | CRP20061 | CRP20062 | CRP20063 | CRP20064 | 2.25 | 17.4 |
| — | — | CRP20065 | CRP20066 | CRP20067 | CRP20068 | CRP20069 | CRP20070 | CRP20071 | CRP20072 | 3.00 | 23.0 |
| — | — | CRP20073 | CRP20074 | CRP20075 | CRP20076 | CRP20077 | CRP20078 | CRP20079 | CRP20080 | 3.75 | 29.0 |
| — | — | CRP20081 | CRP20082 | CRP20083 | CRP20084 | CRP20085 | CRP20086 | CRP20087 | CRP20088 | 4.50 | 35.0 |

Note: K thermocouple panels have one low noise internal thermocouple in center heater with extension wires routed into rear terminal box.

Ordering Example: CRP20056, 2.25 KW, 120 Vac radiant panel heater with K thermocouple.

Replacement Heaters for Standard Modular 0.3 x 0.3 m (12 x 12") CRP Radiant Panels

| 120V | | 240V-1Ph | | Panel KW | Heater Watts |
|-----------|----------|----------|----------|----------|--------------|
| No T/C | K T/C | No T/C | K T/C | | |
| Model No. | | | | | |
| CRL20021 | CRL20022 | CRL20023 | CRL20024 | 1.50 | 500 |
| CRL20025 | CRL20026 | CRL20027 | CRL20028 | 2.25 | 750 |
| — | — | CRL20029 | CRL20030 | 3.00 | 1000 |
| — | — | CRL20031 | CRL20032 | 3.75 | 1250 |
| — | — | CRL20033 | CRL20034 | 4.50 | 1500 |

Note: All 240/480V heaters have two windings for dual voltage use. (Parallel connected for 240V and series connected for 480V). 120V heaters are single winding designs.

K thermocouple units have an internal "low noise" style thermocouple with 0.3 m (12") leads.

Ordering Example: CRL20022, 1.5 KW replacement heater.

Standard Panel Specifications

| KW | Panel Watt Density*** | Typical Operating Temperature** | | Primary Emitted Wavelength* |
|------|-----------------------|---------------------------------|-----|-----------------------------|
| | | °F | °C | |
| 1.50 | 12.0 | 796 | 424 | 4.2 |
| 2.25 | 18.0 | 956 | 513 | 3.7 |
| 3.00 | 24.0 | 1076 | 580 | 3.4 |
| 3.75 | 30.0 | 1191 | 644 | 3.2 |
| 4.50 | 36.0 | 1308 | 709 | 3.0 |

* Peak infrared radiation wavelength as calculated from Wien's Law, for operating temperature shown. Expressed in microns (µm). Operating temperature based on room ambient testing @ 22°C (72°F).

** E-Mitter heater body temperature as measured with internal thermocouple when mounted facedown in stock CRK reflector and operating in 22°C (72°F) room ambient.

*** Watt density calculated using total heater face surface area within panel.

DANGER: Hazard of Fire. These heaters are not for use in atmospheres where flammable vapors, gases or liquids are present as defined in the National Electrical Code. Where solvents, water, etc. are being evaporated from the process it is necessary to provide substantial quantities of ventilating air to carry away all resulting vapors.



WARNING: Hazard of Electric Shock. Installation must be grounded to earth to avoid shock hazard. Disconnect power to installation before servicing or installing heater.

WARNING: Do not use Copper Wire to make connections inside this heater. High temperatures will oxidize copper. Use of nickel plated or nickel clad insulated copper wire is recommended. Wire insulation rating must be suitable for the ambient temperature of the wiring installation.

Installation: Do not mount CRP Panel Heaters closer than 6 inches to any structural material that does not have at least a 200°C (392°F) continuous temperature rating.

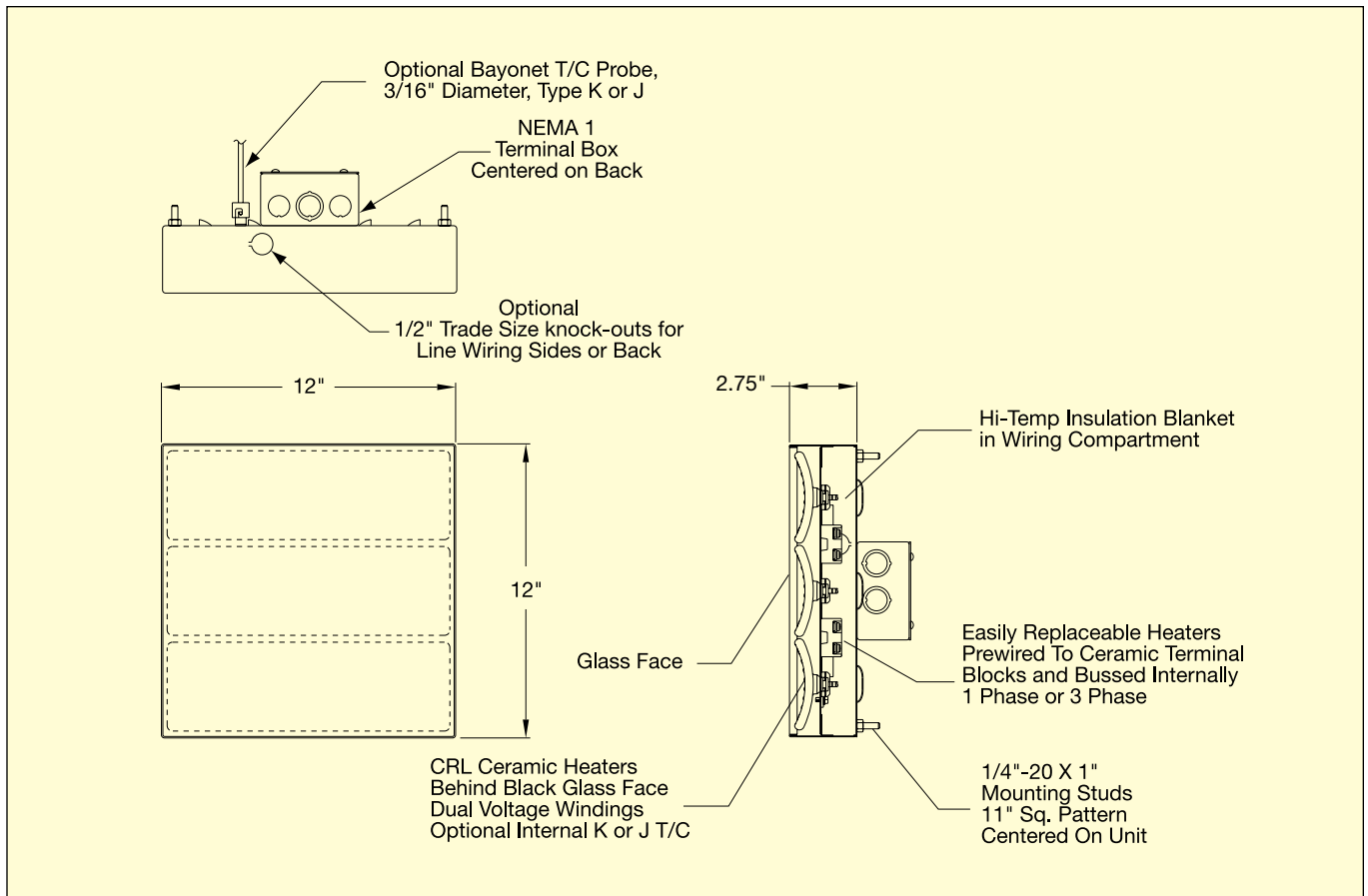
Panel Heater with Glass Face 0.3 x 0.3 m (12 x 12") Modular Glass Face Panels Standard Ratings

CRP Series

- Dark Red Face Glass is Standard; Glass Provides for Ease of Cleaning
- Low Profile 20 Gauge Aluminized Steel or Stainless Steel Housing
- Standard Stocked Voltage: 120, 220 to 240V or 480V as Noted; Other Voltages are Available
- Low Noise Type K Thermocouple Mounted Internally in Center Heater. Optional Type J Thermocouple is Also Available.
- Watt Density Range: From 11 watts/in² to 35 watts/in²
- Standard Operating Temperature Range 399 to 704°C (750 to 1300°F)
- Best When used at Radiation Distances of 102 to 254 mm (4 to 10") From Application
- Performance is Unaffected by Vibration or Adverse Atmospheric Conditions.
- 3 to 6 μm Infrared Radiation Wavelength
- Optional Clear Face Glass is Available
If Required Please Specify When Ordering
- Made to Order/Custom Products Available



Three CRL E-Mitter heaters behind an emitting dark red glass face.





CRP Panels with Glass Face Standard Ratings of Modular 0.3 x 0.3 m (12 x 12") CRP Glass Faced Radiant Panels

Aluminized Steel Housing with NEMA 1 Terminal Box (4 in² x 2.13" deep)

| To Order Visit omega.com/crp_series for Pricing and Details | | | | | | | | | | | |
|---|----------|----------|----------|----------|----------|----------|----------|----------|----------|------|-----------------------------------|
| 120V | | 240V-1Ph | | 240V-3Ph | | 480V-1Ph | | 480V-3Ph | | KW | Watt Density (W/in ²) |
| No T/C | K T/C | No T/C | K T/C | No T/C | K T/C | No T/C | K T/C | No T/C | K T/C | | |
| Model No. | | | | | | | | | | | |
| CRP20089 | CRP20090 | CRP20091 | CRP20092 | CRP20093 | CRP20094 | CRP20095 | CRP20096 | CRP20097 | CRP20098 | 1.50 | 11.6 |
| CRP20099 | CRP20100 | CRP20101 | CRP20102 | CRP20103 | CRP20104 | CRP20105 | CRP20106 | CRP20107 | CRP20108 | 2.25 | 17.4 |
| — | — | CRP20109 | CRP20110 | CRP20111 | CRP20112 | CRP20113 | CRP20114 | CRP20115 | CRP20116 | 3.00 | 23.0 |
| — | — | CRP20117 | CRP20118 | CRP20119 | CRP20120 | CRP20121 | CRP20122 | CRP20123 | CRP20124 | 3.75 | 29.0 |
| — | — | CRP20125 | CRP20126 | CRP20127 | CRP20128 | CRP20129 | CRP20130 | CRP20131 | CRP20132 | 4.50 | 35.0 |

Note: K thermocouple panels have one low noise internal thermocouple in center heater with extension wires routed into rear terminal box.
Ordering Example: CRP20090, 1.5 KW, glass face radiant heater, 120 Vac with K thermocouple.

Stainless Steel Housing with NEMA 1 Terminal Box (4 in² x 2.13" deep)

| 120V | | 240V-1Ph | | 240V-3Ph | | 480V-1Ph | | 480V-3Ph | | KW | Watt Density (W/in ²) |
|-----------|----------|----------|----------|----------|----------|----------|----------|----------|----------|------|-----------------------------------|
| No T/C | K T/C | No T/C | K T/C | No T/C | K T/C | No T/C | K T/C | No T/C | K T/C | | |
| Model No. | | | | | | | | | | | |
| CRP20133 | CRP20134 | CRP20135 | CRP20136 | CRP20137 | CRP20138 | CRP20139 | CRP20140 | CRP20141 | CRP20142 | 1.50 | 11.6 |
| CRP20143 | CRP20144 | CRP20145 | CRP20146 | CRP20147 | CRP20148 | CRP20149 | CRP20150 | CRP20151 | CRP20152 | 2.25 | 17.4 |
| — | — | CRP20153 | CRP20154 | CRP20155 | CRP20156 | CRP20157 | CRP20158 | CRP20159 | CRP20160 | 3.00 | 23.0 |
| — | — | CRP20161 | CRP20162 | CRP20163 | CRP20164 | CRP20165 | CRP20166 | CRP20167 | CRP20168 | 3.75 | 29.0 |
| — | — | CRP20169 | CRP20170 | CRP20171 | CRP20172 | CRP20173 | CRP20174 | CRP20175 | CRP20176 | 4.50 | 35.0 |

Note: K thermocouple panels have one low noise internal thermocouple in center heater with extension wires routed into rear terminal box.
Ordering Example: CRP20144, 2.25 KW, glass face radiant heater, 120 Vac with K thermocouple.

Replacement Heaters for Standard Modular 0.3 x 0.3 m (12 x 12") CRP Radiant Panels

| 120V | | 240-480V | | Panel KW | Heater Watts |
|-----------|----------|----------|----------|----------|--------------|
| No T/C | K T/C | No T/C | K T/C | | |
| Model No. | | | | | |
| CRL20021 | CRL20022 | CRL20023 | CRL20024 | 1.50 | 500 |
| CRL20025 | CRL20026 | CRL20027 | CRL20028 | 2.25 | 750 |
| — | — | CRL20029 | CRL20030 | 3.00 | 1000 |
| — | — | CRL20031 | CRL20032 | 3.75 | 1250 |
| — | — | CRL20033 | CRL20034 | 4.50 | 1500 |

Note: All 240/480V heaters have two windings for dual voltage use. (Parallel connected for 240V & series connected for 480V.)
120V heaters are single winding designs.

K thermocouple units have an internal "low noise" style thermocouple with 0.3 m (12") leads.

Ordering Example: CRL20022, 500 W replacement heater with K thermocouple.

DANGER: Hazard of Fire. These heaters are not for use in atmospheres where flammable vapors, gases or liquids are present as defined in the National Electrical Code. Where solvents, water, etc. are being evaporated from the process it is necessary to provide substantial quantities of ventilating air to carry away all resulting vapors.



CRP Replacement Glass

| Model No | Color |
|-------------|----------------|
| GLS-101-101 | Dark red clear |
| GLS-101-102 | Clear |

WARNING: Hazard of Electric Shock. Installation must be grounded to earth to avoid shock hazard. Disconnect power to installation before servicing or installing heater.

WARNING: Do not use Copper Wire to make connections inside this heater. High temperatures will oxidize copper. Use of nickel plated or nickel clad insulated copper wire is recommended. Wire insulation rating must be suitable for the ambient temperature of the wiring installation.

Installation: Do not mount CRP Panel Heaters closer than 6 inches to any structural material that does not have at least a 200°C (392°F) continuous temperature rating.