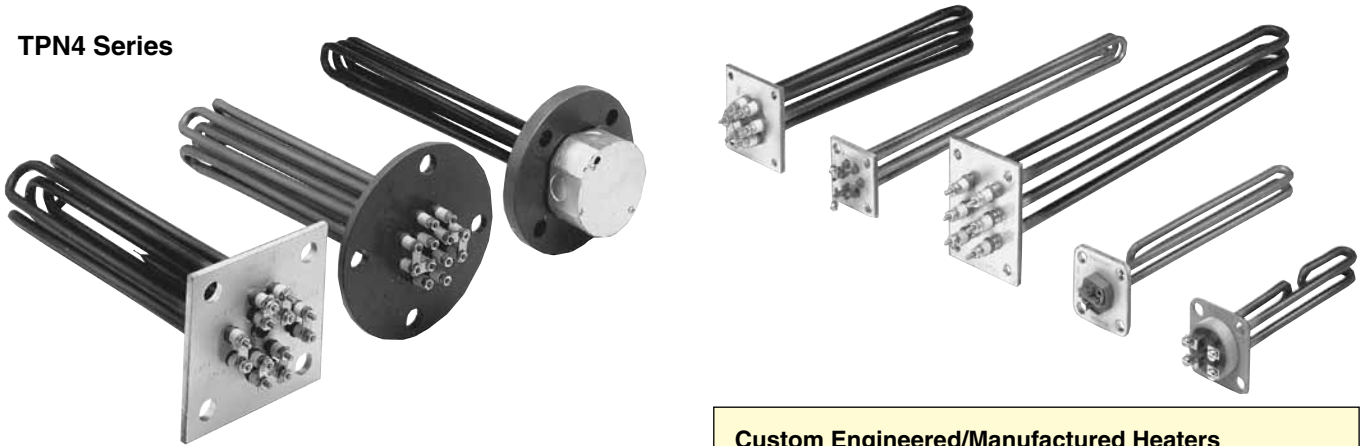


Flanged Immersion Heaters with Custom Size and Shape Flanges

TPN4 Series



Typical Applications

- Hot Air Dryers
- Dehumidifying Dryers
- Heat Exchange Systems
- Water and Water Solutions
- Steam Tables
- Air Heating

Custom Immersion Heaters

This design consists of tubular heating elements silver brazed or TIG welded to a flange cut from steel or stainless steel plate. Flange plate size, thickness and shape are determined by the application. A fiber gasket is supplied with each heater. This type construction also lends itself to be easily and economically engineered into new equipment.

Custom Engineered/Manufactured Heaters

An electric heater can be very application specific; for sizes and ratings not listed, OMEGA will design and manufacture a flanged immersion heater to meet your requirements.

Please Specify the Following:

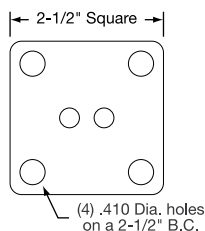
- ✓ Wattage, Voltage and Phase
- ✓ Element Immersion Length
- ✓ Flange Size and Material
- ✓ Electrical Enclosure, if required
- ✓ Element Sheath Material
- ✓ Optional Features
- ✓ Element Watt Density

Hot Water Tank Heater, 2½" Square Steel Flanged, 1 Incoloy® 800 Element



Supplied with gasket (GSK-111-101)

- 2½" square × ¼" thick flange with gasket
- 70 watt/in² Incoloy® 800 tubular heating element
- 10-32 plated screw terminals
- Optional ceramic terminal block for high temperature applications



To Order Visit omega.com/tpn4 for Pricing and Details

Model No.		KW	Immersed Length	
120V	240V		mm	inch
—	TPN01484	1.0	235	9¼
TPN01485	TPN01486	1.25	279	11
TPN01487	TPN01488	1.5	187	7¾
TPN01489	TPN01490	2.0	279	9
—	TPN01491	2.5	273	10¾
—	TPN01167	3.0	313	12 ⁵ / ₁₆
—	TPN01492	3.5	349	13¾
—	TPN01493	4.0	400	15¾
—	TPN01494	4.5	413	16¼
—	TPN01287	5.0	483	19

Ordering Example: TPN01167, 3 KW, 240 Vac, 3 phase flanged immersion heater.