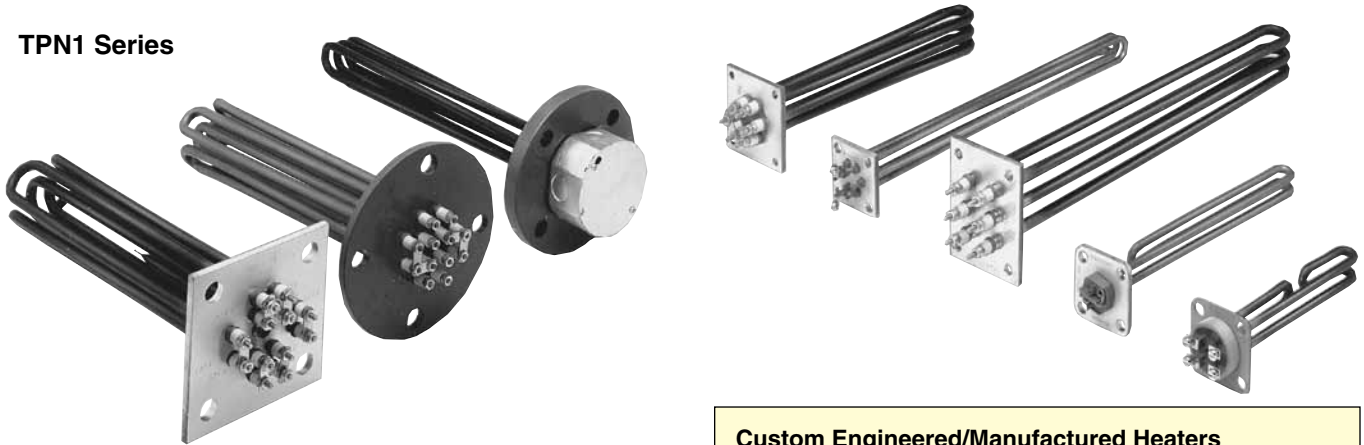


## Flanged Immersion Heaters with Custom Size and Shape Flanges

### TPN1 Series



#### Typical Applications

- Hot Air Dryers
- Dehumidifying Dryers
- Heat Exchange Systems
- Water and Water Solutions
- Steam Tables
- Air Heating

#### Custom Immersion Heaters

This design consists of tubular heating elements silver brazed or TIG welded to a flange cut from steel or stainless steel plate. Flange plate size, thickness and shape are determined by the application. A fiber gasket is supplied with each heater. This type construction also lends itself to be easily and economically engineered into new equipment.

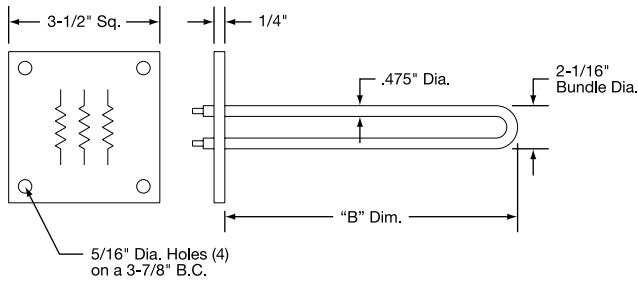
#### Custom Engineered/Manufactured Heaters

An electric heater can be very application specific; for sizes and ratings not listed, OMEGA will design and manufacture a flanged immersion heater to meet your requirements.

#### Please Specify the Following:

- ✓ Wattage, Voltage and Phase
- ✓ Element Immersion Length
- ✓ Flange Size and Material
- ✓ Electrical Enclosure, if required
- ✓ Element Sheath Material
- ✓ Optional Features
- ✓ Element Watt Density

### 3½" Square Steel Flange, 3 Elements



Supplied with gasket (GSK-111-102)

### To Order Visit [omega.com/tpn1](http://omega.com/tpn1) for Pricing and Details

Model No.			Approx Weight		Element Sheath Material	KW	Watt Density		B	
240V-3Ph Y	480V-3Ph Y	575V-3Ph Y	kg	lb			Watt/cm <sup>2</sup>	Watt/in <sup>2</sup>	mm	inch
TPN01400	TPN01401	—	1.4	3	Incoloy® 800	1.5	2.3	15	316	12 <sup>7</sup> / <sub>16</sub>
TPN01173	TPN01174	TPN01402	1.4	3		2.5	3.7	24	316	12 <sup>7</sup> / <sub>16</sub>
TPN01403	TPN01404	TPN01405	1.4	3		3	4.8	31	316	12 <sup>7</sup> / <sub>16</sub>
TPN01175	TPN01201	TPN01406	1.8	4		3.5	3.7	24	454	17 <sup>7</sup> / <sub>8</sub>
TPN01407	TPN01176	TPN01408	1.8	4		4	4.2	27	454	17 <sup>7</sup> / <sub>8</sub>
TPN01409	TPN01410	TPN01411	1.8	4		5	5.3	34	454	17 <sup>7</sup> / <sub>8</sub>
TPN01351	TPN01373	—	1.4	3	Steel	2.5	3.7	24	316	12 <sup>7</sup> / <sub>16</sub>
TPN01311	TPN01412	—	1.8	4		3.5	3.7	24	454	17 <sup>7</sup> / <sub>8</sub>

Ordering Example: TPN01173, 2.5 KW, 240 Vac, 3 phase flanged immersion heater.