

## HEAVY-DUTY OVER-THE-SIDE IMMERSION HEATERS

TLC and KTLC Series Starts at

**\$190**



### FEATURES

- ✓ Copper Sheath and Riser (40 W/in<sup>2</sup>)
- ✓ Steel Sheath and Riser (20 W/in<sup>2</sup>)
- ✓ Stainless Steel Sheath and Riser (40 W/in<sup>2</sup>)
- ✓ Incoloy Sheath and Riser (40 W/in<sup>2</sup>)
- ✓ 91 and 122 cm (36 and 48") Riser Heights
- ✓ Moisture Resistant Terminal Enclosure
- ✓ Thermowell
- ✓ 10 cm (4") Sludge Legs Increases A Dimension 8.9 cm (3½") Keeping Heated Section off Bottom of Tank

**TLC and KTLC Series:** Copper sheath heating elements for clean water.

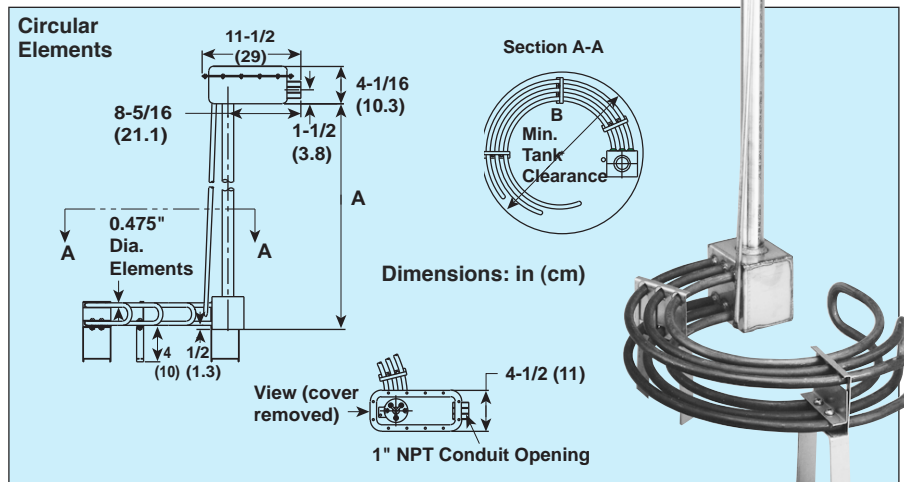
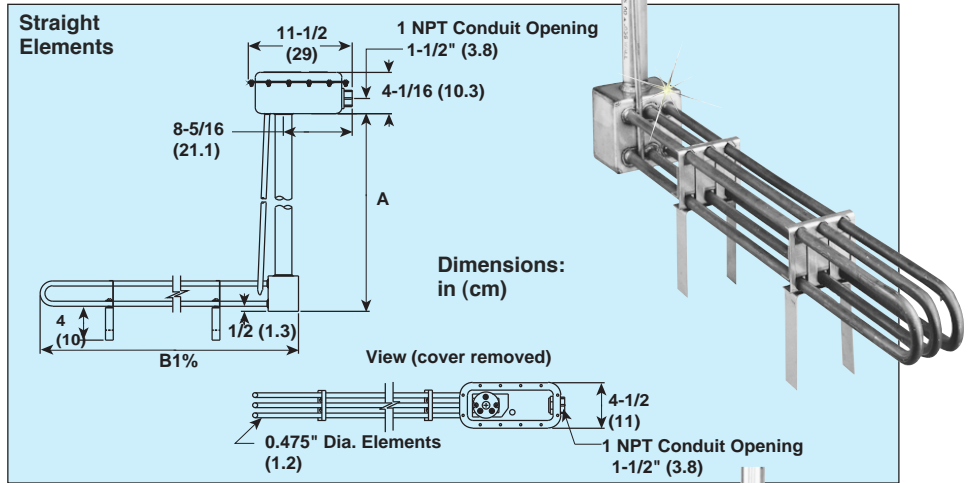
**TLS and KTLS Series:** Stainless steel sheath heating elements for mild corrosive solutions.

**TLI and KTLI Series:** Incoloy sheath heating elements for corrosive fluids.

**TLO and KTLO Series:** Steel sheath heating elements for medium weight oils.

**Optional Thermostat Kits:** Containing OMEGALUX® AR-type thermostat and mounting hardware are available to fit in heater terminal box.

Lightweight, portable, easy to install L-shape construction, puts the heat at the bottom of the tank and the terminal enclosure at the top of the



tank. These heaters are convenient answers for many immersion. Heating applications capacities, dimensions and sheaths fit a wide range of heating applications. Easy to install and remove for cleaning with straight or circular element designs to fit many tank configurations.

**Construction:** All wetted parts of these immersions heaters are made of the same metal or ally for optimum corrosion resistance.

All gasketed terminal boxes are steel, coated with acid resistant paint finish.

**Corrosion Resistance:** Wide choice of sheath materials should provide corrosion resistance in heating liquids. Check chemical composition of solution before selecting sheath material.

Sludge legs, or compatible metals, keep heated section off bottom of vessel, 10 cm (4") standard height. Included with each heater [increases A Dimension by 8.9 cm (3½")]. Sludge legs are standard on all heaters.

**MOST POPULAR MODELS HIGHLIGHTED!**

#### OPTIONAL THERMOSTAT KITS

AR-115-KIT-4	0-100°F	\$190
AR-219-KIT-4	60-250°F	190
AR-519-KIT-4*	200-550°F	190

\* Note: Not UL Listed or CSA Certified with 200-550°F Thermostat Kit.

**Caution:** Contact OMEGALUX® when bath temperatures exceed 400°F in any given application.

## OVER-THE-SIDE IMMERSION HEATERS FOR CLEAN WATER APPLICATIONS

TLC and KTLC Series Starts at

**\$1000**



- ✓ Copper Sheath Heating Elements
- ✓ Monel Riser and Junction Box
- ✓ 120, 240, 480V, 1 and 3 Phase
- ✓ 2 to 18 kW
- ✓ Optional Thermostat Kits are Available to Fit into Terminal Box

### FEATURES

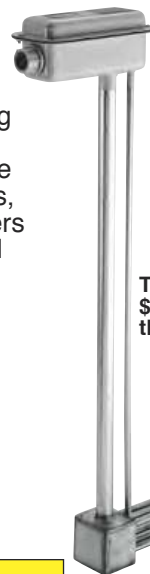
These heaters are lightweight and portable and provide convenient solutions to many heating applications. TLC Series heaters have two or three straight heating elements, while KTLC Series heaters have two or three curved heating elements.

### APPLICATIONS

For clean water heating applications (pH 6 to 8).

### SPECIFICATIONS

**Wattage:** 2 to 18 kW  
**Power:** 120, 240, 480V, 1 and 3 phase  
**Watt Density:** 40W/in<sup>2</sup>



TLC-220A-036/120V, \$1000, shown smaller than actual size.



KTLC-220A-036/120V, \$1100, shown smaller than actual size.

**CAUTION AND WARNING!**  
 Fire and electrical shock may result if products are used improperly or installed or used by non-qualified personnel. See inside back cover for additional warnings.

**MOST POPULAR MODELS HIGHLIGHTED!**

### To Order (Specify Model Number)

kW	Riser (A) cm (in)	Straight Elements			Curved Elements			Weight lb (kg)
		Min. Tank Clearance (B)—cm (in)	Model No.	Price	Min. Tank Clearance (B)—cm (in)	Model No.	Price	
<b>Two Elements — Copper, 40 W/in.<sup>2</sup></b>								
2	91 (36)	31 (12¼)	TLC-220A-036/120	\$1000	27 (10½)	KTLC-220A-036/120	\$1100	7 (3)
2	91 (36)	31 (12¼)	TLC-220A-036/*	1000	27 (10½)	KTLC-220A-036/*	1100	7 (3)
4	91 (36)	57 (22¼)	TLC-240A-036/120	1150	35 (13¾)	KTLC-240A-036/120	1250	9 (4)
4	91 (36)	57 (22¼)	TLC-240A-036/*	1150	35 (13¾)	KTLC-240A-036/*	1250	9 (4)
6	91 (36)	75 (29½)	TLC-260A-036/*	1200	41 (16½)	KTLC-260A-036/*	1300	9 (4)
6	121 (48)	75 (29½)	TLC-260TI-048/240	1300	—	—	—	11 (5)
8	36 (91)	95 (37¾)	TLC-280A-036/*	1300	47 (18½)	KTLC-280A-036/*	1400	11 (5)
10	121 (48)	103 (45)	TLC-210A-048/*	1400	54 (21¼)	KTLC-210A-048/*	1500	14 (6)
12	121 (48)	133 (52½)	TLC-212A-048/*	1450	59 (23½)	KTLC-212A-048/*	1600	16 (7)
<b>Three Elements — Copper, 40 W/in.<sup>2</sup></b>								
3	91 (36)	31 (12¼)	TLC-330A-036/120	\$1100	27 (10½)	KTLC-330A-036/120	\$1250	12 (5)
3	91 (36)	31 (12¼)	TLC-330A-036/240/**	1100	27 (10½)	KTLC-330A-036/240/**	1250	12 (5)
3	91 (36)	31 (12¼)	TLC-330A-036/480/**	1100	27 (10½)	KTLC-330A-036/480/**	1250	12 (5)
6	91 (36)	57 (22¼)	TLC-360A-036/120	1250	35 (13¾)	KTLC-360A-036/120	1400	12 (5)
6	91 (36)	57 (22¼)	TLC-360A-036/240/**	1250	35 (13¾)	KTLC-360A-036/240/**	1400	12 (5)
6	91 (36)	57 (22¼)	TLC-360A-036/480/**	1250	35 (13¾)	KTLC-360A-036/480/**	1400	12 (5)
9	91 (36)	75 (29½)	TLC-390A-036/240/**	1350	41 (16½)	KTLC-390A-036/240/**	1500	13 (6)
9	91 (36)	75 (29½)	TLC-390A-036/480/**	1350	41 (16½)	KTLC-390A-036/480/**	1500	13 (6)
12	121 (48)	95 (37¾)	TLC-312A-048/240/**	1450	47 (18½)	KTLC-312A-048/240/**	1600	16 (8)
12	121 (48)	95 (37¾)	TLC-312A-048/480/**	1450	47 (18½)	KTLC-312A-048/480/**	1600	16 (8)
15	121 (48)	103 (45)	TLC-315A-048/240/**	1550	54 (21¼)	KTLC-315A-048/240/**	1700	17 (8)
15	121 (48)	103 (45)	TLC-315A-048/480/**	1550	54 (21¼)	KTLC-315A-048/480/**	1700	17 (8)
18	121 (48)	133 (52½)	TLC-318A-048/240/**	1650	60 (23½)	KTLC-318A-048/240/**	1800	18 (8)
18	121 (48)	133 (52½)	TLC-318A-048/480/**	1650	60 (23½)	KTLC-318A-048/480/**	1800	18 (8)

\* To designate voltage, insert “-240” for 240V or “-480” for 480V. \*\* Add the suffix “3P” to model number for 3 phase power.

Optional thermostat kits are available to fit into heater terminal box (see page 108).

Ordering Examples: TLC-220A-036/240, 2 kW heater powered by 1 phase 240 Vac, \$1000.

TLC-330A-036/240/3P, 3 kW heater powered by 3 phase 240 Vac, \$1100.



#### UNITED STATES

[www.omega.com](http://www.omega.com)  
1-800-TC-OMEGA  
Stamford, CT.

#### CANADA

[www.omega.ca](http://www.omega.ca)  
Laval(Quebec)  
1-800-TC-OMEGA

#### GERMANY

[www.omega.de](http://www.omega.de)  
Deckenpfronn, Germany  
0800-8266342

#### UNITED KINGDOM

[www.omega.co.uk](http://www.omega.co.uk)  
Manchester, England  
0800-488-488

#### FRANCE

[www.omega.fr](http://www.omega.fr)  
Guyancourt, France  
088-466-342

#### CZECH REPUBLIC

[www.omegaeng.cz](http://www.omegaeng.cz)  
Karviná, Czech Republic  
596-311-899

#### BENELUX

[www.omega.nl](http://www.omega.nl)  
Amstelveen, NL  
0800-099-33-44



## More than 100,000 Products Available!

### • Temperature

Calibrators, Connectors, General Test and Measurement Instruments, Glass Bulb Thermometers, Handheld Instruments for Temperature Measurement, Ice Point References, Indicating Labels, Crayons, Cements and Lacquers, Infrared Temperature Measurement Instruments, Recorders Relative Humidity Measurement Instruments, RTD Probes, Elements and Assemblies, Temperature & Process Meters, Timers and Counters, Temperature and Process Controllers and Power Switching Devices, Thermistor Elements, Probes and Assemblies, Thermocouples Thermowells and Head and Well Assemblies, Transmitters, Wire

### • Flow and Level

Air Velocity Indicators, Doppler Flowmeters, Level Measurement, Magnetic Flowmeters, Mass Flowmeters, Pitot Tubes, Pumps, Rotameters, Turbine and Paddle Wheel Flowmeters, Ultrasonic Flowmeters, Valves, Variable Area Flowmeters, Vortex Shedding Flowmeters

### • pH and Conductivity

Conductivity Instrumentation, Dissolved Oxygen Instrumentation, Environmental Instrumentation, pH Electrodes and Instruments, Water and Soil Analysis Instrumentation

### • Data Acquisition

Auto-Dialers and Alarm Monitoring Systems, Communication Products and Converters, Data Acquisition and Analysis Software, Data Loggers Plug-in Cards, Signal Conditioners, USB, RS232, RS485 and Parallel Port Data Acquisition Systems, Wireless Transmitters and Receivers

### • Pressure, Strain and Force

Displacement Transducers, Dynamic Measurement Force Sensors, Instrumentation for Pressure and Strain Measurements, Load Cells, Pressure Gauges, Pressure Reference Section, Pressure Switches, Pressure Transducers, Proximity Transducers, Regulators, Strain Gages, Torque Transducers, Valves

### • Heaters

Band Heaters, Cartridge Heaters, Circulation Heaters, Comfort Heaters, Controllers, Meters and Switching Devices, Flexible Heaters, General Test and Measurement Instruments, Heater Hook-up Wire, Heating Cable Systems, Immersion Heaters, Process Air and Duct, Heaters, Radiant Heaters, Strip Heaters, Tubular Heaters