

Tank Immersion Heaters

General Purpose Tank or Reservoir Water

TAT400 Series

- ✓ Immersion Section of Heater Made of 316 Stainless Steel
- ✓ Cold Riser Extends to the Top of Container Where Control Housing is Located
- ✓ Cord Set with 3-Wire Grounding Plug is Included for Easy Installation and Wiring
- ✓ Adjustable Vapor-Proof Thermostat Control with Temperature Range of 13 to 46°C (55 to 115°F) ($\pm 3^\circ$)
- ✓ Hi-Limit Cut Switch Set to 52°C (125°F) ($\pm 4^\circ$)
- ✓ Stainless Steel Mounting Bracket Also Supplied for Easy Mounting
- ✓ Pilot Light and On-Off Switch Provided

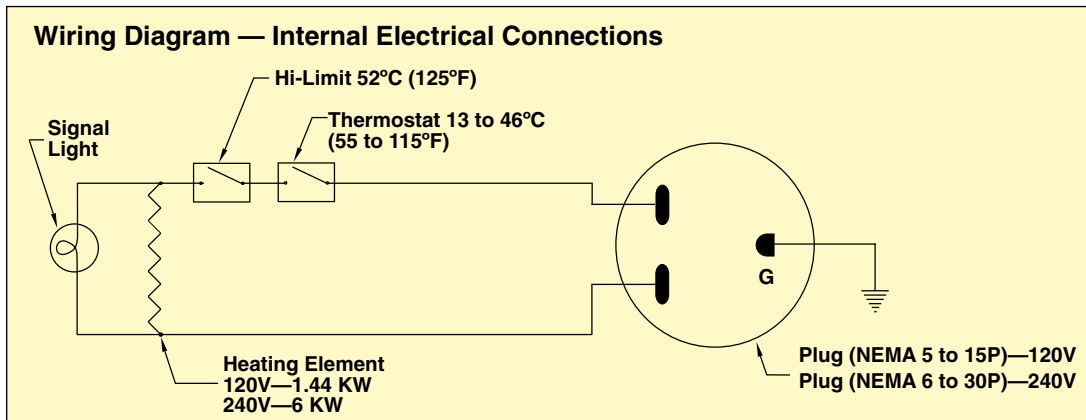
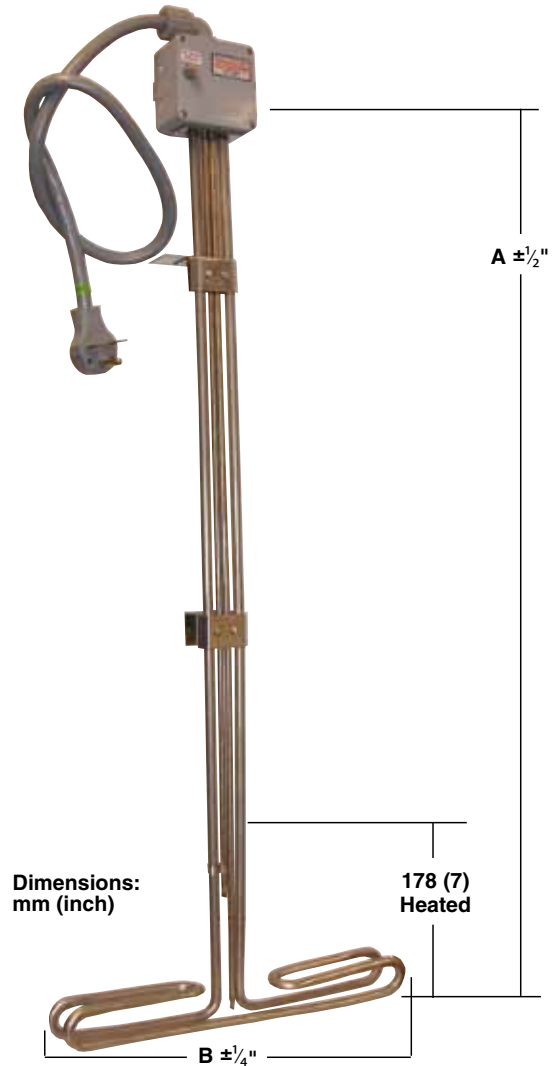
Hi-Limit

If the thermostat should fail and its contacts stick in a closed position, the heating element will continue to heat to about 52°C (125°F). At this temperature the Hi-Limit will open and turn the heating element off. After repairing or replacing the thermostat the Hi-Limit can be manually reset.

Caution: Hazard of electric shock. Installation must be grounded to earth and heater connected to line input through properly sized GFCI circuit breaker.

Disconnect power to heater before servicing. There should be no body contact with the water while the heater is in the water.

Under NO circumstances should this heater be turned on unless the system is full of water.



Note: Not for Export to Canada

To Order									
Model No.		Sheath	Watt Density watt/in ²	Watts	Volts	A		B	
1.2 m (4') Cord	1.8 m (6') Cord					mm	inch	mm	inch
TAT40012	TAT40017	316 Stainless (Bright Annealed)	51	6000	240	1010	39.75	445	17.5
TAT40016	TAT40013		13	1440	120				

Comes complete with cord set and 3-wire grounding plug.
Ordering Example: TAT40017, 6000 watts immersion heater, 240 Vac.