

PIPE INSERT HEATERS

MTO-LT Series
Starts at

\$625



- ✓ For Insertion into 2" (5 cm) or Larger Pipe
- ✓ Moisture/Explosion Resistant Enclosure*
- ✓ 14 to 13 kW
- ✓ 240 and 480V, 1 Phase
- ✓ 2 NPT Steel Screw Plug
- ✓ Lengths to 367"
- ✓ Incoloy Sheath Heating Elements

*Not intended for use in hazardous areas.

APPLICATIONS

For use in those applications where process materials can be heated by inserting heater into a 2" (5 cm) or larger pipe. A pipe union will facilitate installation and eliminate the need for twisting the elements inside the pipe. Clearance room should be considered.

FEATURES

Choice of materials and surface loadings (W/in²) permit operating in the dead air space of pipes, tubes, or channels.

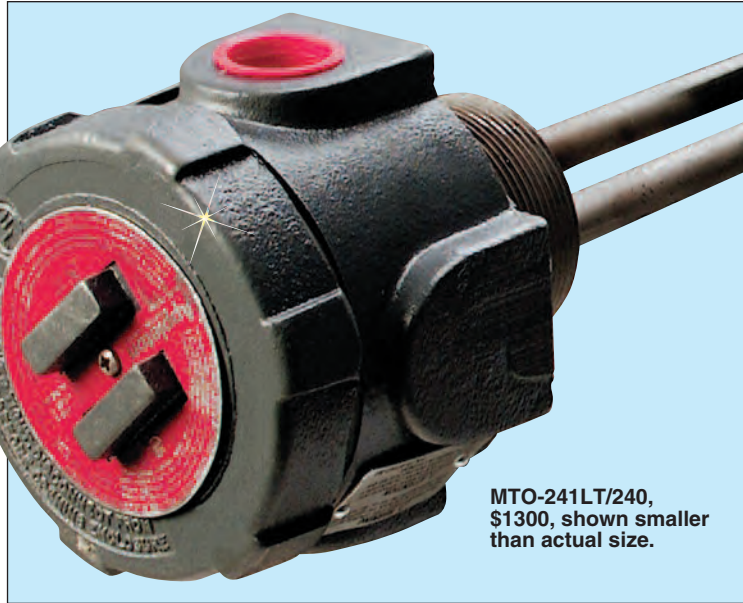
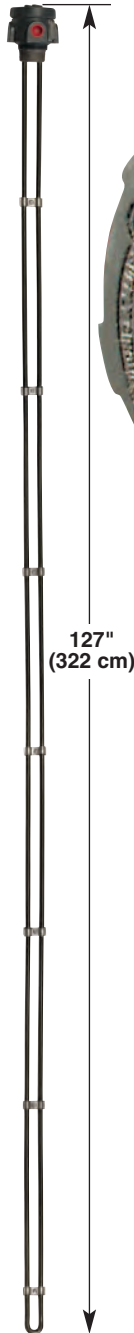
Avoids "coking" or charring asphalt or other heat sensitive materials as the pipe surface functions as a low density heat transfer surface.

Corrosion problems alleviated by lower heat intensity.

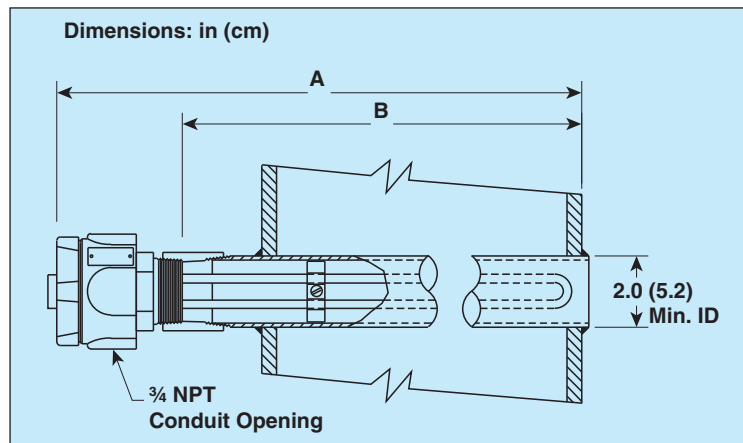
Install or remove without draining the pipe.

Liquid-tight terminal housing.

Low watt density.



MTO-241LT/240, \$1300, shown smaller than actual size.



CAUTION AND WARNING!

Fire and electrical shock may result if products are used improperly or installed or used by non-qualified personnel. See inside back cover for additional warning.

Note: Controls for use with this heater are not included. This immersion heater should be used with an approved temperature control device to assure safe operation. Visit omega.com/guides/temperaturecontrollers.html for our complete selection of controllers.

MOST POPULAR MODELS HIGHLIGHTED!

To Order (Specify Model Number)

Model No.	Price	kW**	Volts	Phase	W/in ²	Dimensions—in. (cm)		Std. Pipe Thd. in. (cm)	Weight lb (kg)
						A	B		
MTO-241LT/240	\$1300	4	240	1	11.7	127 (322)	120 (305)	2 (5)	12 (5)
MTO-241LT/480	1300	4	480	1	11.7	127 (322)	120 (305)	2 (5)	12 (5)
MTO-251LT/240	625	5	240	1	11.1	163 (414)	156 (396)	2 (5)	16 (7)
MTO-251LT/480	1450	5	480	1	11.1	163 (414)	156 (396)	2 (5)	16 (7)
MTO-275LT/240	2600	7.5	240	1	12.7	211 (536)	204 (518)	2 (5)	22 (10)
MTO-275LT/480	1800	7.5	480	1	12.7	211 (536)	204 (518)	2 (5)	22 (10)
MTO-212LT/480	3900	11.5	480	1	12.9	319 (810)	312 (792)	2 (5)	36 (16)
MTO-213LT/480	4500	13	480	1	12.5	367 (932)	360 (914)	2 (5)	42 (19)

** Higher kW available – consult OMEGALUX®.

Ordering Examples: MTO-241LT/240, 1 phase, 4 kW pipe insert heater, \$1300.

MTO-251LT/240, 1 phase, 5 kW pipe insert heater, \$625.



UNITED STATES

www.omega.com
1-800-TC-OMEGA
Stamford, CT.

CANADA

www.omega.ca
Laval(Quebec)
1-800-TC-OMEGA

GERMANY

www.omega.de
Deckenpfronn, Germany
0800-8266342

UNITED KINGDOM

www.omega.co.uk
Manchester, England
0800-488-488

FRANCE

www.omega.fr
Guyancourt, France
088-466-342

CZECH REPUBLIC

www.omegaeng.cz
Karviná, Czech Republic
596-311-899

BENELUX

www.omega.nl
Amstelveen, NL
0800-099-33-44



More than 100,000 Products Available!

• Temperature

Calibrators, Connectors, General Test and Measurement Instruments, Glass Bulb Thermometers, Handheld Instruments for Temperature Measurement, Ice Point References, Indicating Labels, Crayons, Cements and Lacquers, Infrared Temperature Measurement Instruments, Recorders Relative Humidity Measurement Instruments, RTD Probes, Elements and Assemblies, Temperature & Process Meters, Timers and Counters, Temperature and Process Controllers and Power Switching Devices, Thermistor Elements, Probes and Assemblies, Thermocouples Thermowells and Head and Well Assemblies, Transmitters, Wire

• Flow and Level

Air Velocity Indicators, Doppler Flowmeters, Level Measurement, Magnetic Flowmeters, Mass Flowmeters, Pitot Tubes, Pumps, Rotameters, Turbine and Paddle Wheel Flowmeters, Ultrasonic Flowmeters, Valves, Variable Area Flowmeters, Vortex Shedding Flowmeters

• pH and Conductivity

Conductivity Instrumentation, Dissolved Oxygen Instrumentation, Environmental Instrumentation, pH Electrodes and Instruments, Water and Soil Analysis Instrumentation

• Data Acquisition

Auto-Dialers and Alarm Monitoring Systems, Communication Products and Converters, Data Acquisition and Analysis Software, Data Loggers Plug-in Cards, Signal Conditioners, USB, RS232, RS485 and Parallel Port Data Acquisition Systems, Wireless Transmitters and Receivers

• Pressure, Strain and Force

Displacement Transducers, Dynamic Measurement Force Sensors, Instrumentation for Pressure and Strain Measurements, Load Cells, Pressure Gauges, Pressure Reference Section, Pressure Switches, Pressure Transducers, Proximity Transducers, Regulators, Strain Gages, Torque Transducers, Valves

• Heaters

Band Heaters, Cartridge Heaters, Circulation Heaters, Comfort Heaters, Controllers, Meters and Switching Devices, Flexible Heaters, General Test and Measurement Instruments, Heater Hook-up Wire, Heating Cable Systems, Immersion Heaters, Process Air and Duct, Heaters, Radiant Heaters, Strip Heaters, Tubular Heaters