

SCREW PLUG IMMERSION HEATERS

EMH Series

EMH-061-120V shown smaller than actual size.



- ✓ 1/2, 3/4, and 1 1/4 NPT Screw Plugs
- ✓ 316 SS Sheath
- ✓ 400 to 1000 W
- ✓ 120 and 240V, 1-Phase
- ✓ Single Thread Pipe Construction

SPECIFICATIONS

Power: 120 and 240V, 1-phase

Watt Density:

5/8" Diameter: 37 W/in²

3/4" Diameter: 38 W/in²

1 1/4" Diameter: 24 W/in²

Termination:

5/8, 3/4" Diameter: 12" fiberglass leads rated to 250°C (482°F), epoxy potting rated to 130°C (266°F)

1 1/4" Diameter: 8-32 screw and nut terminals

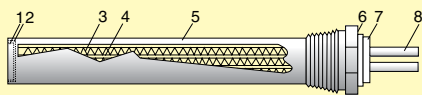
Sheath: 316 SS

Screw Plug and Threads: 316 SS

TOLERANCES

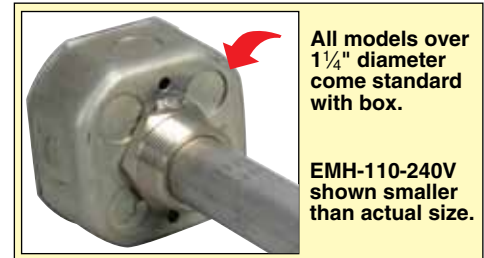
Wattage tolerances are held to 5 to 10% at rated voltage.

Length tolerances are ±2% with a ±1/16" minimum



CONSTRUCTION

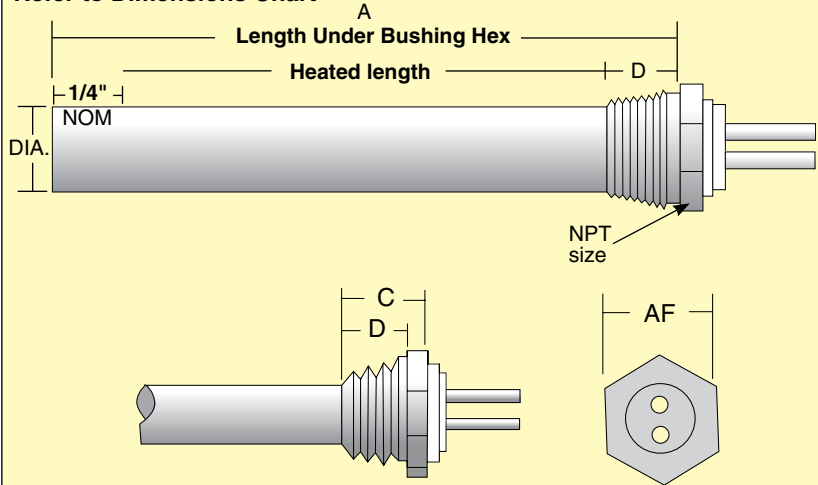
1. Welded end
2. Mica
3. Magnesium oxide packing
4. Element wire situated close to outside surface for maximum heat transfer and minimum internal temperature while preserving good dielectric qualities
5. Series 316 SS sheath
6. Mounting bushing
7. Ceramic cap
8. Flexible, stranded, nickel-alloy insulated leads or rust-resistant post terminals



All models over 1 1/4" diameter come standard with box.

EMH-110-240V shown smaller than actual size.

Refer to Dimensions Chart



To Order

Model No.	Description	Watts*	Dimensions (inch)			
			A	C	D	AF
EMH-060-120V	5/8" diameter, 1/2 NPT	400	6	3/4	9/16	7/8
EMH-060-240V	5/8" diameter, 1/2 NPT	400	6	3/4	9/16	7/8
EMH-061-120V	3/4" diameter, 3/4 NPT	500	6	7/8	5/8	1 1/8
EMH-061-240V	3/4" diameter, 3/4 NPT	500	6	7/8	5/8	1 1/8
EMH-110-120V	1 1/4" diameter, 1 1/4 NPT	1000	11	1 1/32	23/32	1 3/4
EMH-110-240V	1 1/4" diameter, 1 1/4 NPT	1000	11	1 1/32	23/32	1 3/4

* Wattages are based on a unit operating immersed in water. Comes complete with operator's manual.

Ordering Examples: EMH-060-120V, 5/8" dia, 1/2 NPT. EMH-110-120V, 1 1/4" dia, 1 1/4 NPT screw plug immersion heater.