

# IMMERSION HEATERS, INCOLOY SHEATH—2 NPT FITTING

ARMTI-2 Series Starts at

**\$1100**



- ✓ Ideal Immersion for Severe, Hard Water pH 5 to 9
- ✓ Integral Thermostat
- ✓ 2 NPT Stainless Steel Fitting with 2 Heating Elements
- ✓ Available with NEMA-1 Rated General Purpose Enclosure, or Explosion Resistant Enclosure
- ✓ 240 or 480V, 1 Phase Power
- ✓ 46 to 51 W/in<sup>2</sup> Watt Density

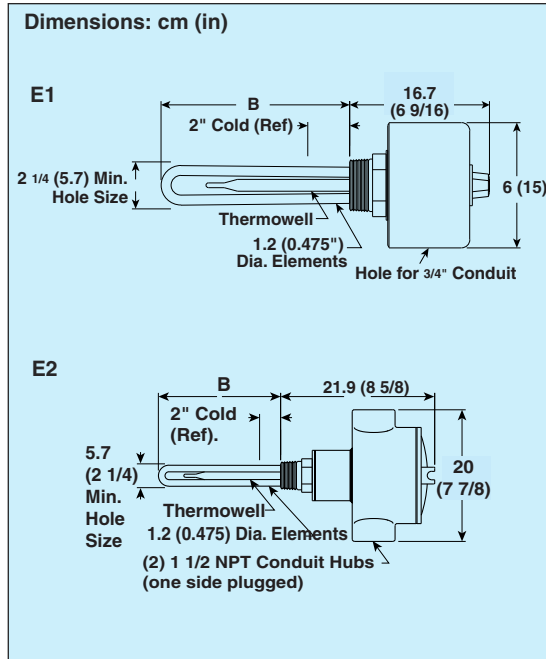
## SPECIFICATIONS

**Wattage:** 2 to 15 kW  
**Power:** 240, or 480V; 1 phase  
**Sheath:** 1.2 cm (0.475") diameter incoloy  
**Screw Plug:** 2 NPT stainless steel  
**Thermostat:** Bulb and capillary  
**Enclosure:** General purpose, NEMA-1 rated, or type E2 moisture resistant/explosion resistant enclosure

*Note: The integral thermostat functions as a temperature control only. This is not a fail safe device. An approved pressure or temperature control should be used with these heaters to assure safe operation. See Section P for our selection of control devices.*

### CAUTION AND WARNING!

Fire and electrical shock may result if products are used improperly or installed or used by non-qualified personnel. See inside back cover for additional warning.



**MOST POPULAR MODELS HIGHLIGHTED!**

## To Order (Specify Model Number)

kW	Phase	W/in <sup>2</sup>	No. Htg. Elem.	Dim. B cm (in)	Temp Range (60 to 250°F)		Wt. lb(kg)	T-1 Temp Range (0 to 100°F)		Wt. lb(kg)
					Model No.	Price		Model No.	Price	
<b>ARMTI-2 Series with E1 General Purpose Terminal Enclosure<sup>1</sup></b>										
2	1	51	2	22 (8)	ARMTI-2205-3/*	\$1100	6(3)	ARMTI-2205-3T1/*	\$1100	6(3)
2.5	1	51	2	23 (9)	ARMTI-2255/*	1100	7(3)	ARMTI-2255/*	1100	7(3)
3	1	48	2	30 (12)	ARMTI-2305/*	1150	7(3)	ARMTI-2305/*	1150	7(3)
4	1	47	2	44 (17½)	ARMTI-2405/*	1200	7(3)	ARMTI-2405/*	1200	7(3)
5	1	46	2	50 (19¾)	ARMTI-2505/*	1300	8(4)	ARMTI-2505/*	1300	8(4)
6	1	46	2	64 (25¼)	ARMTI-2605/*	1350	8(4)	ARMTI-2605/*	1350	8(4)
7	1	49	2	71 (28¾)	ARMTI-2705/*	1350	9(4)	ARMTI-2705/*	1350	9(4)
10	1	46	2	71 (40¾)	ARMTI-21005/*	1550	10(5)	ARMTI-21005/*	1550	10(5)
12	1	46	2	71 (47¾)	†ARMTI-21205/*	1650	11(5)	†ARMTI-21205/*	1650	11(5)
15	1	50	2	137 (54)	†ARMTI-21505/*	1800	12(5)	†ARMTI-21505/*	1800	12(5)
<b>ARMTI-2 Series with E2 Moisture Resistant/Explosion Resistant Enclosure<sup>2</sup></b>										
2	1	51	2	22 (8)	ARMTI-2205-3E2/*	\$1350	12(5)	ARMTI-2205-3E2T1/*	\$1350	12(5)
2.5	1	51	2	23 (9)	ARMTI-2255E2/*	1350	13(6)	ARMTI-2255E2T1/*	1350	13(6)
3	1	48	2	30 (12)	ARMTI-2305E2/*	1400	13(6)	ARMTI-2305E2T1/*	1400	13(6)
4	1	47	2	44 (17½)	ARMTI-2405E2/*	1450	13(6)	ARMTI-2405E2T1/*	1450	13(6)
5	1	46	2	50 (19¾)	ARMTI-2505E2/*	1650	14(6)	ARMTI-2505E2T1/*	1650	14(6)
6	1	46	2	64 (25¼)	ARMTI-2605E2/*	1600	14(6)	ARMTI-2605E2T1/*	1600	14(6)
7	1	49	2	71 (28¾)	ARMTI-2705E2/*	1600	15(7)	ARMTI-2705E2T1/*	1600	15(7)
10	1	46	2	71 (40¾)	ARMTI-21005E2/*	1800	16(7)	ARMTI-21005E2T1/*	1800	16(7)
12	1	46	2	71 (47¾)	†ARMTI-21205E2/*	1900	17(7)	†ARMTI-21205E2T1/*	1900	15(7)
15	1	50	2	137 (54)	†ARMTI-21505E2/*	1900	18(8)	†ARMTI-21505E2T1/*	1900	18(8)

\* Insert "240" for 240 Vac, or "480" for 480 Vac

<sup>1</sup> Heaters with general purpose enclosures are UL Listed and CSA certified except models with † (exceeds 48 amps).

<sup>2</sup> Heaters with moisture resistant/explosion resistant enclosures are CSA NRTL/C certified and are not intended for use in hazardous areas. Except models with † (exceeds 48 amps).

**Ordering Examples:** ARMTI-2255/240, 2.5 kW heater with thermostat range of 60 to 250°F powered by 240 Vac, \$1100.

ARMTI-2305E2/240, explosion resistant immersion heater, \$1400.



#### UNITED STATES

[www.omega.com](http://www.omega.com)  
1-800-TC-OMEGA  
Stamford, CT.

#### CANADA

[www.omega.ca](http://www.omega.ca)  
Laval(Quebec)  
1-800-TC-OMEGA

#### GERMANY

[www.omega.de](http://www.omega.de)  
Deckenpfronn, Germany  
0800-8266342

#### UNITED KINGDOM

[www.omega.co.uk](http://www.omega.co.uk)  
Manchester, England  
0800-488-488

#### FRANCE

[www.omega.fr](http://www.omega.fr)  
Guyancourt, France  
088-466-342

#### CZECH REPUBLIC

[www.omegaeng.cz](http://www.omegaeng.cz)  
Karviná, Czech Republic  
596-311-899

#### BENELUX

[www.omega.nl](http://www.omega.nl)  
Amstelveen, NL  
0800-099-33-44



## More than 100,000 Products Available!

### • Temperature

Calibrators, Connectors, General Test and Measurement Instruments, Glass Bulb Thermometers, Handheld Instruments for Temperature Measurement, Ice Point References, Indicating Labels, Crayons, Cements and Lacquers, Infrared Temperature Measurement Instruments, Recorders Relative Humidity Measurement Instruments, RTD Probes, Elements and Assemblies, Temperature & Process Meters, Timers and Counters, Temperature and Process Controllers and Power Switching Devices, Thermistor Elements, Probes and Assemblies, Thermocouples Thermowells and Head and Well Assemblies, Transmitters, Wire

### • Flow and Level

Air Velocity Indicators, Doppler Flowmeters, Level Measurement, Magnetic Flowmeters, Mass Flowmeters, Pitot Tubes, Pumps, Rotameters, Turbine and Paddle Wheel Flowmeters, Ultrasonic Flowmeters, Valves, Variable Area Flowmeters, Vortex Shedding Flowmeters

### • pH and Conductivity

Conductivity Instrumentation, Dissolved Oxygen Instrumentation, Environmental Instrumentation, pH Electrodes and Instruments, Water and Soil Analysis Instrumentation

### • Data Acquisition

Auto-Dialers and Alarm Monitoring Systems, Communication Products and Converters, Data Acquisition and Analysis Software, Data Loggers Plug-in Cards, Signal Conditioners, USB, RS232, RS485 and Parallel Port Data Acquisition Systems, Wireless Transmitters and Receivers

### • Pressure, Strain and Force

Displacement Transducers, Dynamic Measurement Force Sensors, Instrumentation for Pressure and Strain Measurements, Load Cells, Pressure Gauges, Pressure Reference Section, Pressure Switches, Pressure Transducers, Proximity Transducers, Regulators, Strain Gages, Torque Transducers, Valves

### • Heaters

Band Heaters, Cartridge Heaters, Circulation Heaters, Comfort Heaters, Controllers, Meters and Switching Devices, Flexible Heaters, General Test and Measurement Instruments, Heater Hook-up Wire, Heating Cable Systems, Immersion Heaters, Process Air and Duct, Heaters, Radiant Heaters, Strip Heaters, Tubular Heaters