

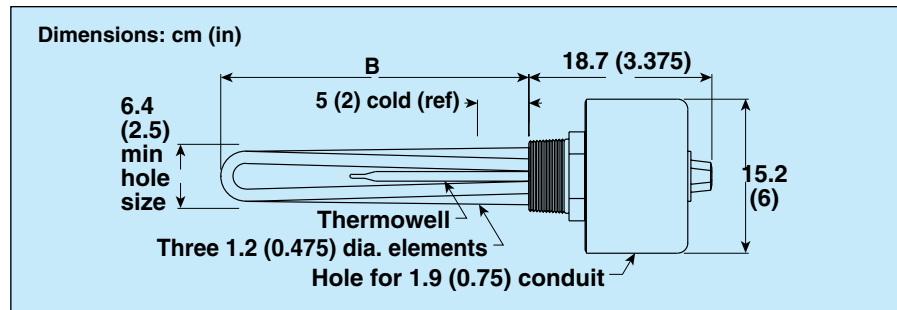
HEAVY DUTY CLEAN WATER IMMERSION HEATER WITH 2.5 NPT FITTING

ARMT-3 Series



ARMT-3305/240V/3P shown smaller than actual size.

- ✓ Integral Thermostat
- ✓ General Purpose Enclosure NEMA 1 Rated
- ✓ 1 cm (0.475") Diameter Copper Sheath
- ✓ 3 to 18 kW
- ✓ Dependable 3 Element Heater Design
- ✓ 120, 208, 240 and 480 Vac Power; 1 and 3 Phase Models



Note: This integral thermostat functions as a temperature control only. This is not a fail safe device. An approved pressure and/or temperature control should be used with these heaters to assure safe operation.

Visit us online for our selection of control devices. Also Available with Type E2 moisture tight/explosion proof enclosure. Not intended for use in hazardous locations.

To Order

kW	Volts	W/in ²	No. Htg. Elem.	T-2 Temp Range (60 to 250°F)			T-1 Temp Range (0 to 100°F)		
				Dim. B cm (in)	Model No.	Wt. kg (lb)	Model No.	Wt. kg (lb)	
ARMT-3 Series with General Purpose Enclosure									
3	240	51	3	19 (7 $\frac{3}{8}$)	ARMT-3305/240V/*	3 (6)	ARMT-3305T1/240V/*	3 (6)	
3.75	240	52	3	21 (8 $\frac{1}{8}$)	ARMT-3375/240V/*	3 (6)	ARMT-3375T1/240V/*	3 (6)	
4.5	120	48	3	29 (11 $\frac{1}{4}$)	ARMT-3455/120V	3 (6)	ARMT-3455T1/120V	3 (6)	
4.5	208	48	3	29 (11 $\frac{1}{4}$)	ARMT-3455/208V/*	3 (7)	ARMT-3455T1/208V/*	3 (7)	
4.5	240	48	3	29 (11 $\frac{1}{4}$)	ARMT-3455/240V/*	3 (7)	ARMT-3455T1/240V/*	3 (7)	
4.5	480	48	3	29 (11 $\frac{1}{4}$)	ARMT-3455/480V/*	3 (7)	ARMT-3455T1/480V/*	3 (7)	
6	120	48	3	44 (17 $\frac{1}{4}$)	ARMT-3605/120V	4 (8)	ARMT-3605T1/120V	4 (8)	
6	208	48	3	44 (17 $\frac{1}{4}$)	ARMT-3605/208V/*	4 (8)	ARMT-3605T1/208V/*	4 (8)	
6	240	48	3	44 (17 $\frac{1}{4}$)	ARMT-3605/240V/*	4 (8)	ARMT-3605T1/240V/*	4 (8)	
6	480	48	3	44 (17 $\frac{1}{4}$)	ARMT-3605/480V/*	4 (8)	ARMT-3605T1/480V/*	4 (8)	
7.5	208	53	3	49 (19 $\frac{1}{4}$)	ARMT-3755/208V/*	4 (8)	ARMT-3755T1/208V/*	4 (8)	
7.5	240	53	3	49 (19 $\frac{1}{4}$)	ARMT-3755/240V/*	4 (8)	ARMT-3755T1/240V/*	4 (8)	
7.5	480	53	3	49 (19 $\frac{1}{4}$)	ARMT-3755/480V/*	4 (8)	ARMT-3755T1/480V/*	4 (8)	
9	208	47	3	62 (24 $\frac{1}{2}$)	ARMT-3905/208V/*	4 (9)	ARMT-3905T1/208V/*	4 (9)	
9	240	47	3	62 (24 $\frac{1}{2}$)	ARMT-3905/240V/*	4 (9)	ARMT-3905T1/240V/*	4 (9)	
9	480	47	3	62 (24 $\frac{1}{2}$)	ARMT-3905/480V/*	4 (9)	ARMT-3905T1/480V/*	4 (9)	
12	240	46	3	82 (32 $\frac{5}{8}$)	¹ ARMT-31205/240V/*	6 (13)	¹ ARMT-31205T1/240V/*	6 (13)	
12	480	46	3	82 (32 $\frac{5}{8}$)	ARMT-31205/480V/*	6 (13)	ARMT-31205T1/480V/*	6 (13)	
15	208	46	3	101 (39 $\frac{3}{4}$)	¹ ARMT-31505/208V/*	6 (14)	¹ ARMT-31505T1/208V/*	6 (14)	
15	240	46	3	101 (39 $\frac{3}{4}$)	¹ ARMT-31505/240V/*	6 (14)	¹ ARMT-31505T1/240V/*	6 (14)	
15	480	46	3	101 (39 $\frac{3}{4}$)	ARMT-31505/480V/*	6 (14)	ARMT-31505T1/480V/*	6 (14)	

/* Insert the suffix "3P" to the model number for 3 phase power. Other voltages available contact OMEGALUX.[®] See next page for caution and warning note.

¹ Not UL Listed or CSA Certified for 1 Phase (exceeds 48 amps)

Ordering Examples: ARMT-3305/240V/3P, 3 kW heater powered by 3 phase 240 Vac.

ARMT-3755/240V, 7.5 kW heater.