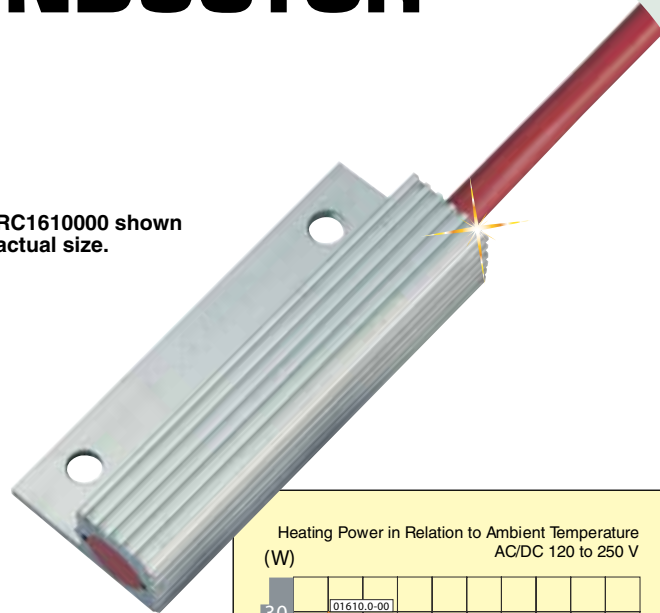


# SMALL SEMICONDUCTOR HEATER

RC016 Series



RC1610000 shown actual size.



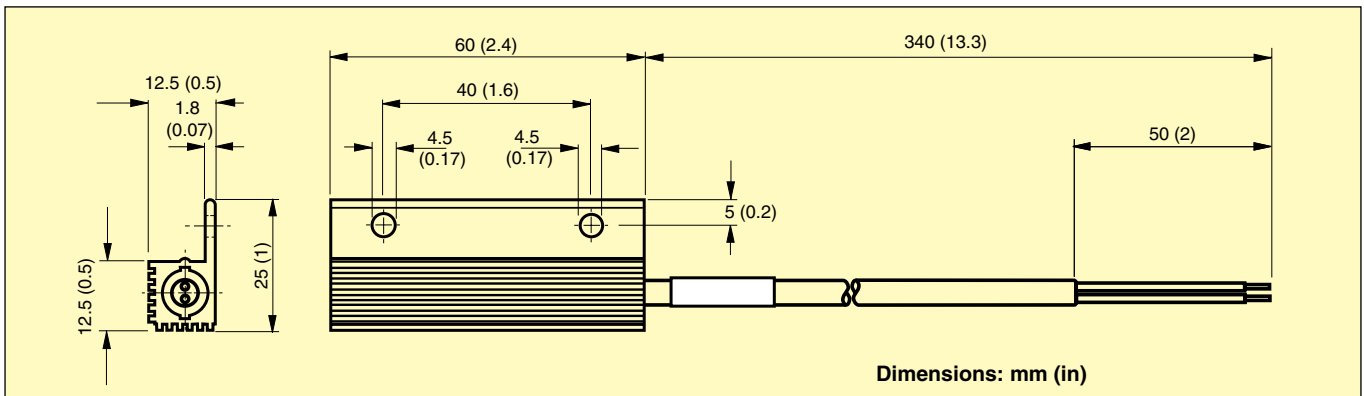
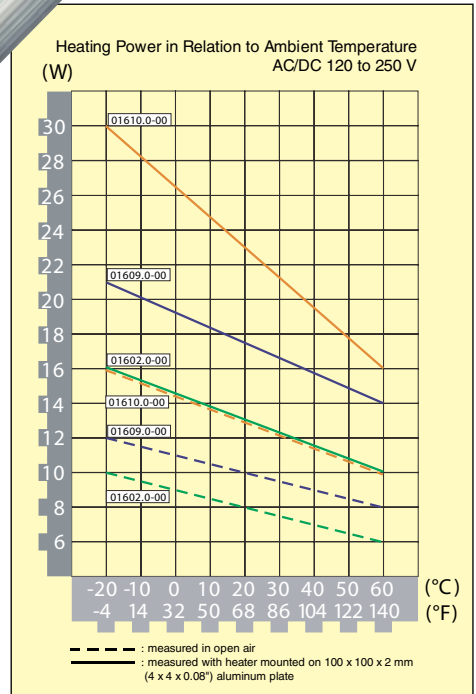
- Temperature Limiting
- Wide Voltage Range
- Energy Saving
- Compact

These small heaters are designed to prevent condensation and to ensure a minimum operating temperature in small enclosures.

## SPECIFICATIONS

**Operating Voltage:** 120 to 240 Vac/Vdc\* (min 110V, max 265V)  
**Heating Element:** PTC resistor, self regulating and temperature limiting  
**Heater Body:** Aluminium, anodized  
**Mounting:** Screw fixing (screws not included)  
**Fitting Position:** Variable

**Operating/Storage Temperature:** -45 to 70°C (-49 to 158°F)  
**Protection Type/Protection Class:** NEMA 1 (IP32)/II (double insulated)  
**Approvals:** VDE + UL File No. E150057  
**Heating Capacity\*:** 13 W  
*Note: Other voltages on request*  
*\* Operating with voltages below 140 Vac/Vdc reduces heating performance by approx. 10%.*  
**Inrush Current Max:** 3.0 A  
**Surface Temperature (Approx):** 170°C (338°F)  
**Connection:** 2 x AWG 22 sheathed cable (silicone)  
**Weight (Approx):** 40 g (0.08 lb)



## To Order

| MODEL NO. | DESCRIPTION                                |
|-----------|--|
| RC1610000 | Small PTC heater, 13 W, 120 to 240 Vac/Vdc |
| RC1610001 | Small PTC heater, 13 W, 12 to 36 Vac/Vdc   |

Comes complete with operator's manual.  
**Ordering Example:** RC1610000, small semiconductor heater.