

# Low-Wattage Appliance Thermostat

## SA Series



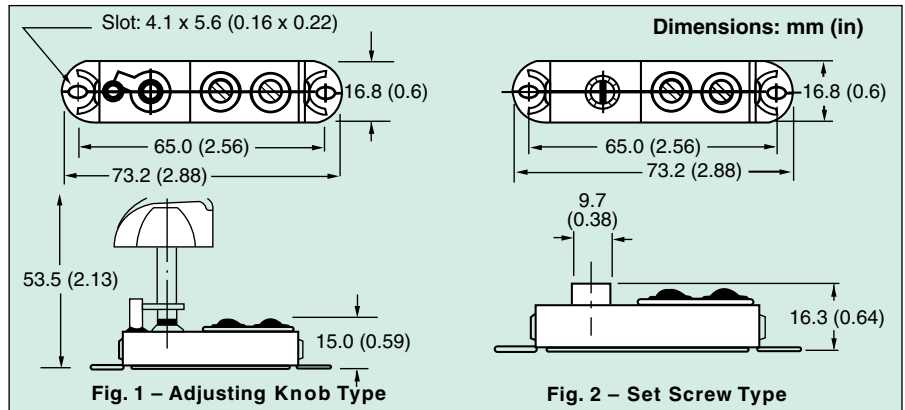
- ✓ 38 to 232°C (100 to 450°F) Temperature Range
- ✓ Non-Indicating
- ✓ 120 and 240V, Single-Phase

### Applications

- ✓ Appliances
- ✓ Any Device Which Permits Direct Contact With Heated Surface

### Features (Must Be Firmly Mounted to Heated Surface)

Temperature differential of approximately 3 to 11°C (5 to 20°F) depending on rate of temperature change, location, mounting, etc. Slow make-and-break, single-pole, single-throw switch cannot be used for pilot duty with a magnetic contactor. Temperature adjustment knob or set-screw adjustment is an option.



To prevent excessive arcing of contacts on 240V, use of 0.1 to 0.25 mfd

condenser may be required. Obtain from radio supply outlet.

### To Order

| Model No. | Temp Range °C (°F)     | Capacity (W) | Max Current |      | Max Wt. Type | lb (oz)     |
|-----------|------------------------|--------------|-------------|------|--------------|-------------|
|           |                        |              | 120V        | 240V |              |             |
| SA-501    | 38 to 232 (100 to 450) | 1500         | 12 A        | 6 A  | Fig. 1       | 0.17 (2.72) |
| SA-501A   | 38 to 316 (100 to 600) | 1500         | 12 A        | 6 A  | Fig. 2       | 0.17 (2.72) |
| SA-601    | 93 to 288 (200 to 550) | 1500         | 12 A        | 6 A  | Fig. 1       | 0.17 (2.72) |

Ordering Example: SA-501, 38 to 232°C (100 to 450°F) range thermostat.

# Infinite Control Mechanism

## CH Series



- ✓ Mechanical Bi-Metal Operation
- ✓ Knob Setting 0 to 100% W
- ✓ Double-Pole, Single-Throw (DPST) Snap-Action
- ✓ Positive Break
- ✓ 120 or 240V, 1800 and 3600 W

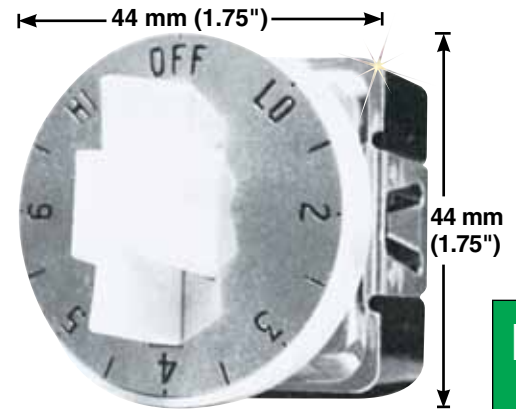
### Applications

An inexpensive but positive control for laboratory or industrial hotplates, this series can also be used for controlling comfort heaters, small electric furnaces, dies, platens and other applications where infinite control is required within the current rating of the switch.

**CAUTION:** These devices function as temperature controls. Because they do not fail safe, an approved temperature and/or pressure safety control must be used for safe operation

### Features

Simplicity. No cams or levers to adjust. No motor to burn out. Automatic compensation for line voltage fluctuations up to ±15%. Bi-metal acts at settings less than "HI" to limit electrical input and depress temperature. For use in ambients <80°C (179°F) For higher AC and all DC heating loads, use magnetic contactors. Gives infinite control for non-inductive loads up to 15 A on 120 or 240V. Can be turned either to left or right to select proper heat from 0 to 100% wattage with infinite control over first 50% of total wattage. Energized continuously in "HI" position, at other settings it delivers



CH-152 shown actual size.

selected input level under control of a simple bi-metal timer. Only 3 mounting holes are necessary to install in box or panel.

### To Order

| Model No. | Volts | Max Rating (Watts, AC) | Wt. lb (oz) |
|-----------|-------|------------------------|-------------|
| CH-152    | 120   | 1800                   | 3 (48)      |
| CH-252    | 240   | 3600                   | 3 (48)      |