

PRECISION AIR PRESSURE REGULATOR

FOR ACCURATE, STABLE PRESSURE CONTROL

14 scfm at 100 psig

PRG200 Series



- ✓ Accurate Pressure Regulation to Within 0.1%
- ✓ Stable Output Across Full Flow Range
- ✓ High Relief Capacity
- ✓ Locking Nut Included
- ✓ Built In Gauge Ports



PRG200-40, shown actual size.

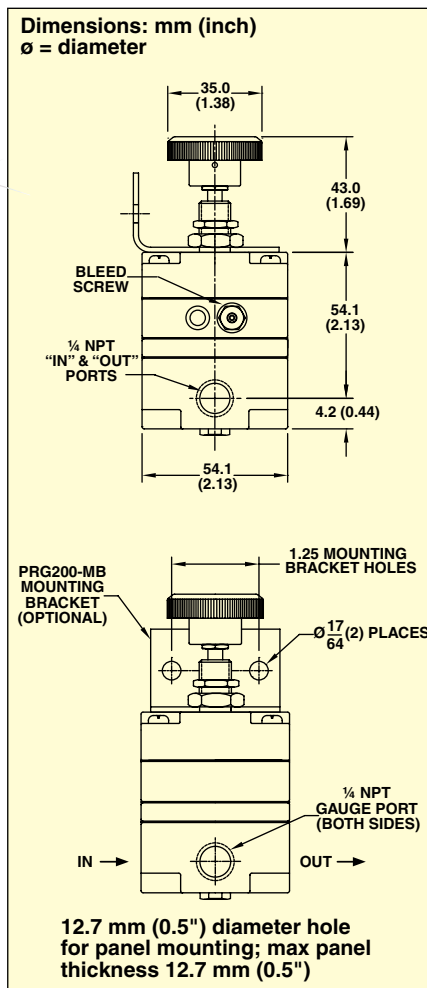
The PRG200 Series is a high precision multi-stage regulator, which provides the highest level of regulation accuracy and repeatability available. A stainless steel measuring capsule is used as a sensing element to activate the high gain servo balanced control mechanism in which the main valve is controlled by a pilot valve. This allows for greater accuracy and eliminates many of the problems associated with conventional regulators using range springs and diaphragms.

SPECIFICATIONS

- Flow Capacity:** 14 scfm at 100 psig supply – 20 psig outlet
- Exhaust Capacity:** 3 scfm (5 psig above 20 psig set point); 11 scfm for PRG200-120H
- Sensitivity:** 1/8" (3.2 mm) H₂O
- Pilot Pressure Chamber Bleed Rate:** < 0.08 scfm (0.15 m³/hr)
- Total Air Consumption:** 6 scfh
- Supply Pressure Effect:** < 0.005 psig (for 25 psig supply change)
- Supply Pressure, Maximum:** 150 psig (50 psig for PRG200-25)

Materials:

- Body:** Diecast zinc alloy
Capsule and Adjusting Screw: stainless steel
Assemblies: Stainless steel, brass, plated steel, acetal
Diaphragms: Buna-N elastomer and polyester fabric
Knob: Phenolic plastic
- Weight:** 635 g (1.4 lb)
Port Size: 1/4 NPT
Gauge Ports (2): 1/4 NPT
Mounting: Pipe, panel or optional bracket



To Order		
MODEL NO.	OUTPUT PRESSURE RANGE	
	psi	bar
PRG200-25	0.5 to 25	0.03 to 1.72
PRG200-40	2 to 40	0.14 to 2.76
PRG200-60	2 to 60	0.14 to 4.14
PRG200-120	2 to 120	0.14 to 8.27
HIGH RELIEF MODEL		
PRG200-120H	2 to 120	0.14 to 8.27

ACCESSORY

MODEL NO.	DESCRIPTION
PRG200-MB	Mounting bracket

Comes complete with operator's manual.

Ordering Example: PRG200-60, precision air pressure regulator, 2 to 60 psi (0.14 to 4.14 bar).