



Relative Humidity On/Off Controller

RHCN-7000 Series



- ✓ Bright Green 3-Digit LED Display
- ✓ 0 to 1 or 0 to 3 Vdc, 4 to 20 mA Inputs
- ✓ 8 Amp Relay Output
- ✓ Simple On/Off Control
- ✓ Compatible with RH Transmitters
- ✓ Optional RH Probe

The microprocessor based RHCN-7000 Series on/off controller provides control for humidifying or de-humidifying. Relative humidity, output status, and error messaging can be viewed on the bright green LED display. The controller features user defined parameters including setpoint, hysteresis, control type, and probe adjustment. Access to programming parameters can be locked for security purposes using the password protection feature. Select RHCN-7000 models can be interfaced with most RH transmitters that provide a 0 to 1 Vdc or 4 to 20 mA output, or an optional RH probe, model RHCN-7000-RP can be ordered to work with 0 to 3 Vdc input models.

Specifications (Instrument Only)

- Relative Humidity Range:** 0 to 100% RH
- Input:** 0 to 3 or 0 to 1 Vdc or 4 to 20 mA (depending on model)
- Accuracy:** ±1% RH
- Display:** 3-digit, green, 12.7 mm (0.5") digits
- Resolution:** 1-digit
- Temperature Limits:** 0 to 70°C (32 to 158°F)
- Storage Temperature:** -20 to 80°C (-4 to 176°F)
- Output:** 8 A SPDT relay @ 250 Vac resistive
- Horsepower Rating (HP):** ½ HP
- Control Type:** ON/OFF
- Power Requirements:** 110 or 230 Vac (depending on model)
- Memory Backup:** Nonvolatile memory
- Weight:** 65 g (2.3 oz)



RHCN-7001

Front Panel Rating: IP64
Optional Probe

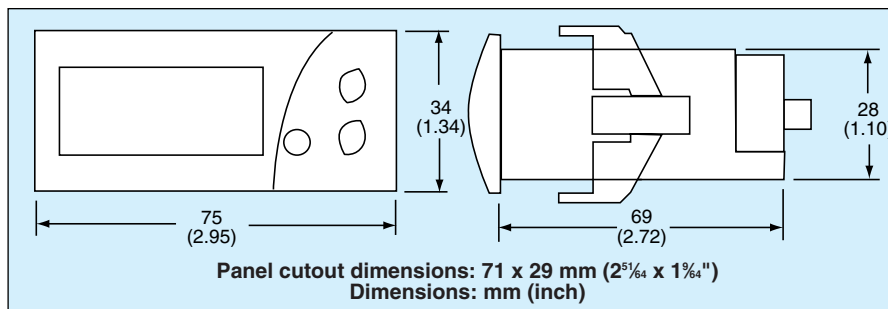
Output: 0 to 3 Vdc

Dimensions: 64 x 25 mm (2.5 x 0.98"),
1.22 m (4') cable

Relative Humidity Range:
25 to 90% RH (probe only)

Accuracy: ±5% RH @ 25°C (77°F)

**System Accuracy (Instrument and
Optional Probe):** ±6% RH



To Order Visit omega.com/rhcn-7000_series for Pricing and Details

Model No.	Description
RHCN-7001	RH controller, 0 to 1 Vdc input, 110 Vac
RHCN-7002	RH controller, 0 to 1 Vdc input, 230 Vac
RHCN-7003	RH controller, 4 to 20 mA input, 110 Vac
RHCN-7004	RH controller, 4 to 20 mA input, 230 Vac
RHCN-7005	RH controller, 0 to 3 Vdc input, 110 Vac
RHCN-7006	RH controller, 0 to 3 Vdc input, 230 Vac
RHCN-7000-RP	Humidity probe, 0 to 3 Vdc output (for models RHCN-7005 and RHCN-7006 only)

Comes complete with operator's manual.

Ordering Examples: RHCN-7003 relative humidity controller, 4 to 20 mA input, 110 Vac power.

RHCN-7005 relative humidity controller, 0 to 3 Vdc input, 110 Vac power, and RHCN-7000-RP humidity probe.

Accessory (Field Installable)

Model No.	Description
CNQUENCHARC	Noise suppression RC snubber (2 leads), 110 to 230 Vac