

# Dual Solid State Relays 25 and 40 A; Vdc Input/ Vac Output

## SSRLDUAL Series



Two 25 or 40 A SSR's  
in 1 Standard Package  
Opto-Isolated 2500 VRMS

The OMEGA® SSRLDUAL Series solid-state relays are 2 totally independent AC output relays in a single standard panel mount package. They utilize OMEGA's inverse-parallel SCR output design with integral dV/dt snubber circuitry to provide protection against false triggering by limiting the rate of rise of most voltage transients to within acceptable limits. Zero volt turn-on and zero current turn-off of the load being switched substantially reduces EMI and RFI.

## General Specifications

**Operating Temperature:** -40 to 80°C  
(-40 to 176°F)

**Storage Temperature:** -40 to 100°C  
(-40 to 212°F)

**Input to Output Isolation:** 4000 Vrms

**Input/Output to Ground Isolation:**  
2500 Vrms

**Input to Output Capacitance:**  
8 pF (typical)

**Operating Frequency:** 47 to 63 Hz

**Housing Material:** UL 94V0  
(self-extinguishing)

## Output

**Voltage Range (Vrms):** 24 to 280 Vac

**Peak Voltage (Vpk, t = 1 Minute):** 550

**Off-State Leakage (@ Maximum Line Voltage and Ta = 25°C):** 0.1 mArms

**Output Current (Mounted on Proper Heat Sink, See Deratings):**

DC25: 25

DC40: 40

**Minimum Current:** 100 mArms

**Maximum 1-Cycle Surge Current (Apk, Ta = 25°C):**

DC25: 500

DC40: 780

**Forward Voltage Drop (Vpk @ Imax, Ta = 25°C):**

DC25: 1.4

DC40: 1.3

**I<sup>2</sup>T (60 Hz, ½ Cycle):**

DC25: 1041

DC40: 2435

**R<sub>jb</sub> (Thermal Res. Junction to Baseplate):**

DC25: 0.6

DC40: 0.4

**Static Off-State dv/dt (V/μs, Ta = 25°C):** 500

## Input

**Input Voltage:** 4 to 15 Vdc

**Drop-Out Voltage:** 1 Vdc

**Minimum Input Current (for On-State):** 7.5 mA

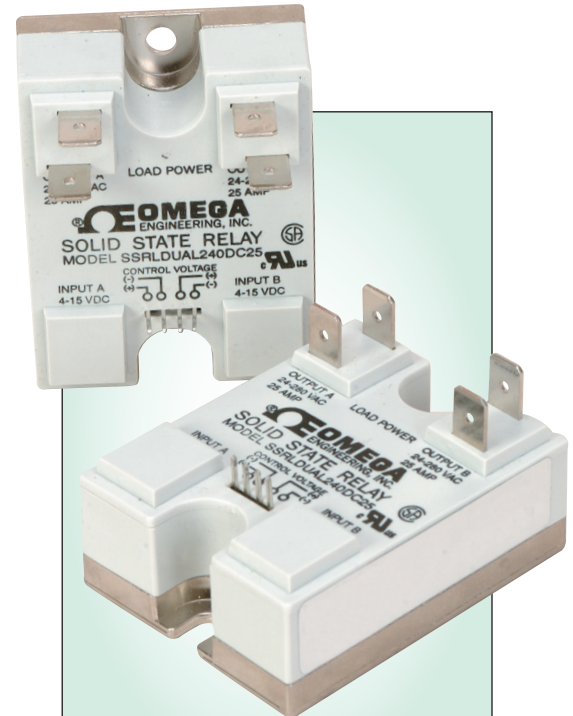
**Maximum Input Current:** 34 mA

**Input Resistance:** 500 Ω

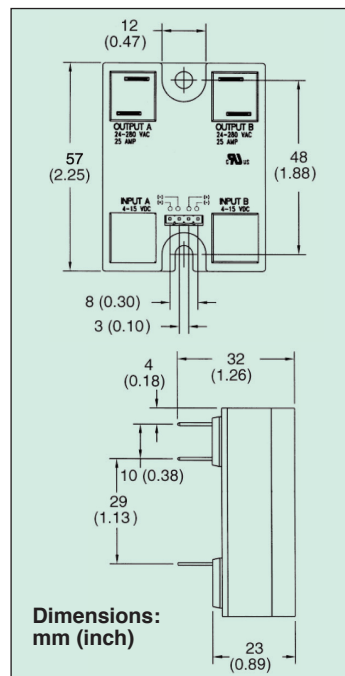
**Turn-On Time\*:** 8.33 ms

**Turn-Off Time:** 8.33 ms

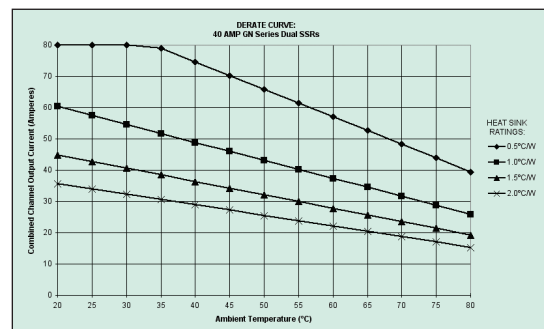
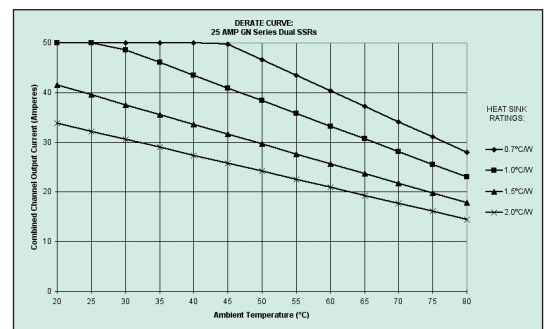
\* Random SSR's turn on in less than 100 μs.



SSRLDUAL240DC25 shown smaller than actual size.



Dimensions:  
mm (inch)



## To Order

Model Number	Description
SSRLDUAL240DC25	25 A dual SSR output
SSRLDUAL240DC40	40 A dual SSR output
CX136-4	Connector

Comes with complete operator's manual.

Ordering Example: SSRLDUAL240DC25, 25 A dual SSR output.