

NORGREN EXCELON® FILTER-LUBRICATOR COMBINATION UNITS

C72C Series



C72C-2AN-AL3-NNN-QLN
shown smaller than actual size.



C74C-3AN-AD3-NNN-QDN
shown smaller than actual size.

- True Modularity with Norgren Quikclamp® Connections
- Quick Release Bayonet Bowl
- Flow Sensor Design Provides a Nearly Constant Oil/Air Ratio Over a Wide Range of Air Flows
- Highly Visible, Prismatic Liquid Level Indicator Lens
- All Around (360°) Visibility of the Sight-Feed Dome Simplifies Installation and Adjustment
- Use Micro-Fog Models in Applications Containing One or More Points of Lubrication
- Use Oil-Fog Models to Lubricate a Single Tool, Cylinder, or Other Air Driven Device

SPECIFICATIONS

Fluid: Compressed Air

Maximum Pressure:

Transparent Bowl: 10 bar (150 psig)

Metal Bowl:

Manual or Semiautomatic Drain:

17 bar (250 psig)

Automatic Drain: 10 bar (150 psig)

Operating Temperature*:

Transparent Bowl: -20 to 50°C
(0 to 125°F)

Metal Bowl: -20 to 65°C (0 to 150°F)

Particle Removal: 5 or 40 µm filter element

MATERIALS

Body: Zinc

Transparent Bowl: Polycarbonate

Guard: Zinc

Metal Bowl Liquid Level

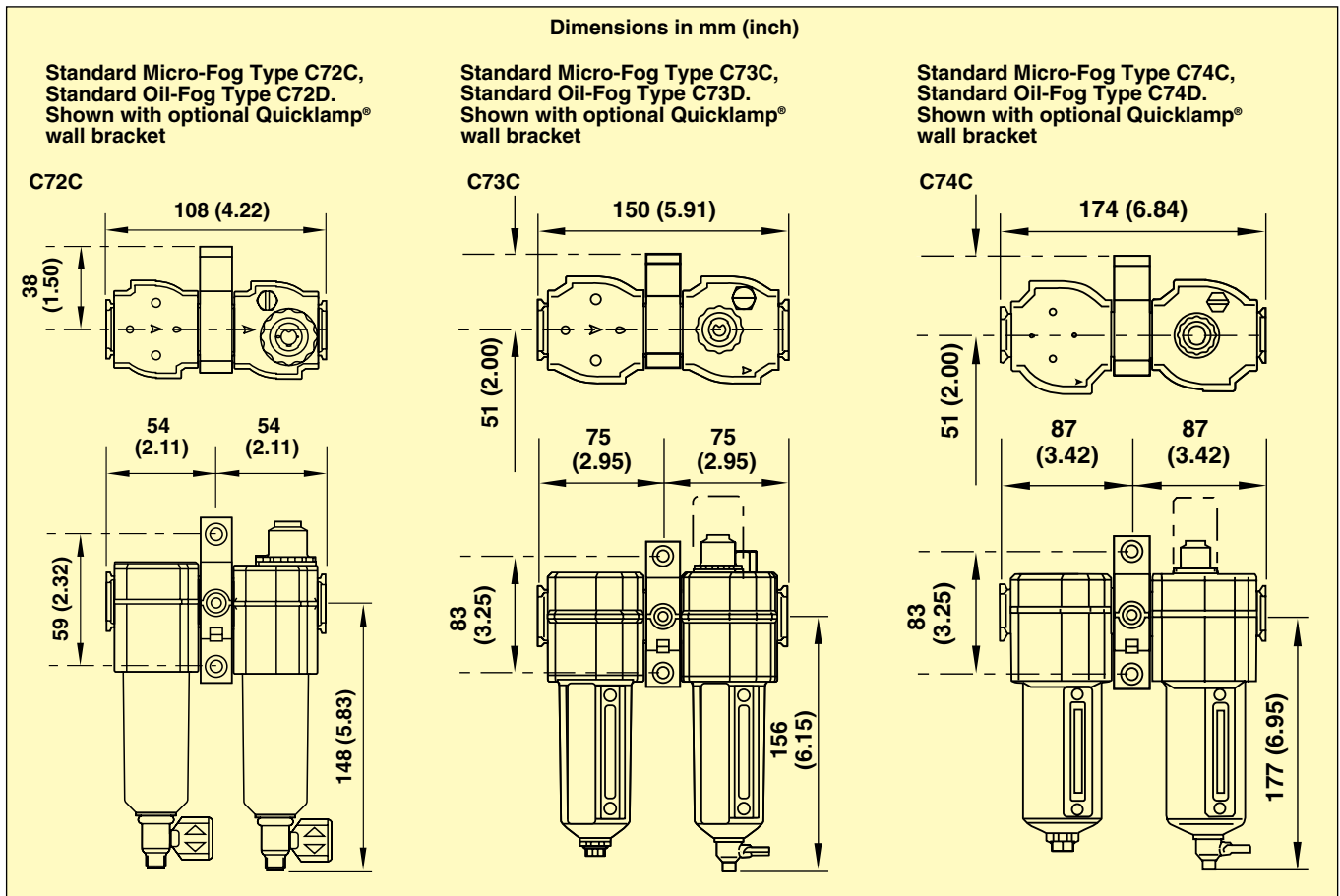
Indicator Lens: Transparent nylon

Element: Sintered polypropylene

Sight-Feed Dome: Transparent nylon

Elastomers: Neoprene and nitrile

* Air supply must be dry enough to avoid ice formation at temperatures below 2°C (35°F).



To Order

MODEL NO.	PORT SIZE (in)	COMBINATION TYPE	WEIGHT kg (lb)
C72C-2AN-AL3-NNN-QLN	¼	Standard micro-fog filter-lubricator combo	1.04 (2.3)
C73C-2AN-AD3-NNN-QDN	¼	Standard micro-fog filter-lubricator combo	1.18 (2.6)
C73C-3AN-AD3-NNN-QDN	⅜	Standard micro-fog filter-lubricator combo	1.18 (2.6)
C73C-4AN-AD3-NNN-QDN	½	Standard micro-fog filter-lubricator combo	1.18 (2.6)
C74C-3AN-AD3-NNN-QDN	⅜	Standard micro-fog filter-lubricator combo	1.80 (3.97)
C74C-4AN-AD3-NNN-QDN	½	Standard micro-fog filter-lubricator combo	1.74 (3.84)

Notes: Models include PTF threads. Filter includes automatic drain, transparent bowl without guard and a 40 µm filter element. Lubricator is a micro-fog model with ¼ turn manual drain and long transparent bowl without guard.

Ordering Examples: **C73C-2AN-AD3-NNN-QDN**, combination filter-lubricator, includes a standard micro-fog lubricator with ⅜" PTF ports, automatic filter drain, metal filter bowl with liquid level indicator, 40 µm filter, manual ¼ turn drain and metal lubricator bowl with liquid level indicator. **C74C-3AN-AD3-NNN-QDN**, combination filter-lubricator, includes a standard micro-fog lubricator with ⅜" PTF ports, automatic filter drain, metal filter bowl with liquid level indicator, 40 µm filter, manual ¼ turn drain and metal lubricator bowl with liquid level indicator.