

THERMOPLASTIC QUICK COUPLINGS

HIGH FLOW COUPLING

3/8" Flow Polysulfone, FT-HFC-35 Series
1/2" Flow Polysulfone, FT-FFC-35 Series



Applications

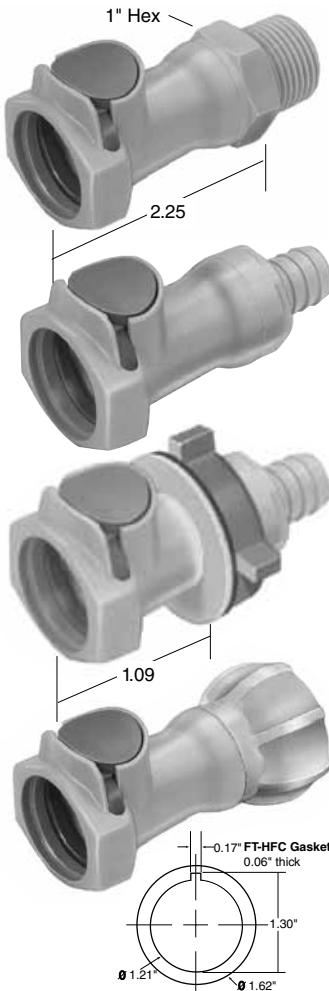
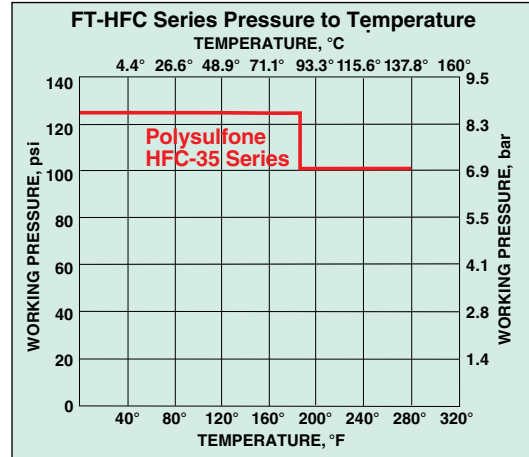
- ✓ High-Purity and Deionized water
- ✓ Filtration Equipment
- ✓ Pharmaceutical Equipment
- ✓ Heavy Equipment Cooling Lines
- ✓ Food and Beverage Serving Equipment
- ✓ Bioprocessing Lines
- ✓ Laboratory Equipment and Instrumentation

FT-HFC-35 Series couplings are designed to withstand the rigors of demanding applications. Their polysulfone construction imparts physical strength, repeated autoclaving capability and chemical resistance. FT-HFC-35 Series couplings' attractive design, light weight and large capacity make them a perfect replacement in many applications for stainless steel or brass. Use FT-HFC-35 couplings anywhere—available in the most common thread and hose sizes, 3/4 NPT or garden hose for drum unloading, male and female thread connections. Special-ordered couplings are available in versions that comply with listing requirements for NSF standard C-2 as well as versions certified to meet USP Class VI requirements. Fully interchangeable with FT-HFC-12 Series couplings. Patent No. 5316041.

FT-HFC-35



By Individual Model No.†



Coupling Bodies 3/8" Flow

† Visit omega.com/rohs to determine specific RoHS compliance.

To Order

Male Pipe Thread Body			1/2" Flow FT-FFC		
Male Thread	Straight Thru Model No.	Shutoff Model No.	Full Flow Model No.	Length	
3/8" NPT	FT-HFC106-35	FT-HFCD106-35	—	—	2.72"
3/8" BS	FT-HFC106-35BS	FT-HFCD106-35BS	—	—	2.72"
1/2" NPT	FT-HFC108-35	FT-HFCD108-35	FT-FFC108-35	2.72"	
1/2" BS	FT-HFC108-35BS	FT-HFCD108-35BS	—	2.72"	
3/4" NPT	FT-HFC1012-35	FT-HFCD1012-35	FT-FFC1012-35	3.07"	
3/4" BS	FT-HFC1012-35BS	FT-HFCD1012-35BS	FT-FFC1012-35BS	3.07"	
3/4" GdnHs	FT-HFC1012-35GH	FT-HFCD1012-35GH	FT-FFC1012-35GH	2.94"	
In Line Hose Barb Body					
Tubing Size Id	Metric Eq mm	Straight Thru Model No.	Shutoff Model No.	Full Flow Model No.	Length
3/8"	9.5	FT-HFC176-35	FT-HFCD176-35	—	2.82"
1/2"	12.7	FT-HFC178-35	FT-HFCD178-35	—	2.82"
3/4"	19	FT-HFC1712-35	FT-HFCD1712-35	FT-FFC1712-35	2.97"
Bulkhead Panel Mount Hose Barb Body					
Tubing Size Id	Metric Eqmm	Straight Thru Model No.	Shutoff Model No.	Full Flow Model No.	Length
3/8"	9.5	FT-HFC166-35	FT-HFCD166-35	—	2.82"
1/2"	12.7	FT-HFC168-35	FT-HFCD168-35	—	2.82"
3/4"	19	FT-HFC1612-35	FT-HFCD1612-35	FT-FFC1612-35	2.97"
Female Pipe Thread Body					
Female Thread	Straight Thru Model No.	Shutoff Model No.	Full Flow Model No.	Length	
3/4" GdnHsMt	FT-HFC1912-35BP	FT-HFCD1912-35BP	FT-FFC1912-35BP	2.69"	
3/4" GdnHs	FT-HFC1912-35GH	FT-HFCD1912-35GH	FT-FFC1912-35GH	2.69"	

Panel thickness 0.030" to 0.25", 1.20" diameter mounting hole 1.87" minimum coupling spacing Greenlee 730K-3/16 Keyway Punch Unit and 730S Hole Punch. Ø = diameter

SPECIFICATIONS

Working Pressure: Maximum 8.8 bar (125 psi) (see graph)

Operating Temperature: -40 to 137.8°C (-40 to 280°F)

Materials:

Coupling: Polysulfone

Thumb Latch: Polysulfone

Panel Mount Nut: Polysulfone

O-Rings: EPR, others available

Panel Mount Gasket: EPR, others available

Springs: 316 Stainless Steel

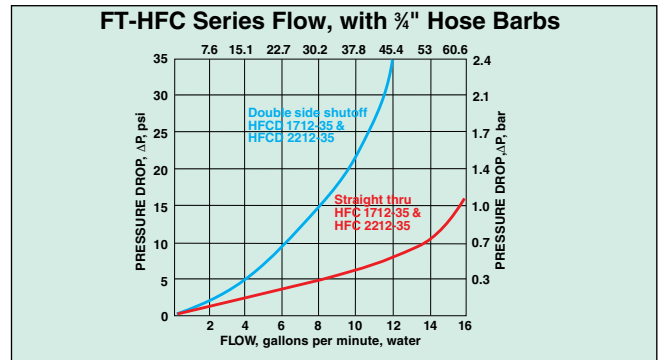
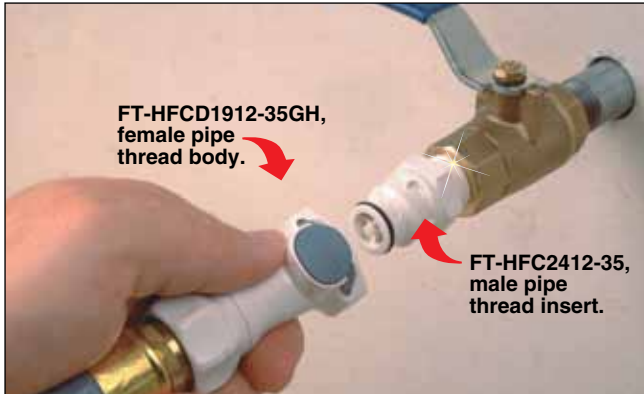
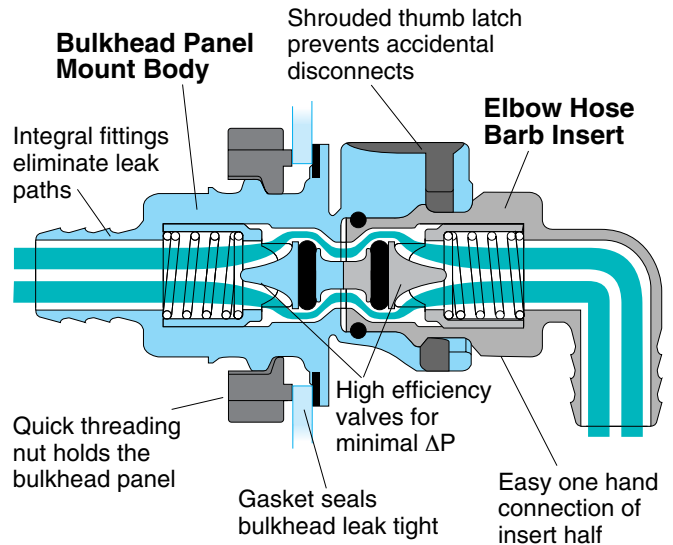
Suggested Tubing: PVC, Silicone, Reinforced PVC, Polyurethane, Rubber, Latex

Tubing Sizes:

3/8" or 9.5 mm ID

1/2" or 12.7 mm ID

3/4" or 19 mm ID



Coupling Inserts 3/8" Flow

To Order

Male Pipe Thread Insert	1/2" Flow FT-FFC Series				
	Male Thread	Straight Thru Model Number	Shutoff Model Number	Full Flow Model Number	Length
3/8" NPT	FT-HFC246-35	FT-HFCD246-35	—	—	1.76"
3/8" BS	FT-HFC246-35BS	FT-HFCD246-35BS	—	—	1.76"
1/2" NPT	FT-HFC248-35	FT-HFCD248-35	FT-FFC248-35	—	1.94"
1/2" BS	FT-HFC248-35BS	FT-HFCD248-35BS	—	—	1.94"
3/4" NPT	FT-HFC2412-35	FT-HFCD2412-35	FT-FFC2412-35	—	2.14"
3/4" BS	FT-HFC2412-35BS	FT-HFCD2412-35BS	FT-FFC2412-35BS	—	2.01"
3/4" GdnHs	FT-HFC2412-35GH	FT-HFCD2412-35GH	FT-FFC2412-35GH	—	2.01"
Hose Barb Insert					
Tubing Size Id	Metric Eq Mm	Straight Thru Model Number	Shutoff Model Number	Full Flow Model Number	Length
3/8" ID	9.5 ID	FT-HFC226-35	FT-HFCD226-35	—	1.86"
1/2" ID	12.7 ID	FT-HFC228-35	FT-HFCD228-35	—	1.86"
3/4" ID	19 ID	FT-HFC2212-35	FT-HFCD2212-35	FT-FFC2212-35	2.01"
Elbow Hose Barb Insert					
Tubing Size Id	Metric Eq mm	Straight Thru Model Number	Shutoff Model Number	Full Flow Model Number	Length
3/8" ID	9.5 ID	FT-HFC236-35	FT-HFCD236-35	—	1.90"
1/2" ID	12.7 ID	FT-HFC238-35	FT-HFCD238-35	—	1.94"
Female Pipe Thread Insert					
Female Thread	Straight Thru Model Number	Shutoff Model Number	Full Flow Model Number	Length	
3/4" GdnHsMt	FT-HFC2612-35BP	FT-HFCD2612-35BP	—	—	1.73"
3/4" GdnHs	FT-HFC2612-35GH	FT-HFCD2612-35GH	FT-FFC2612-35GH	—	1.77"

Ordering Examples: FT-HFCD176-35, 3/8" hose barb body, and FT-HFC226-35, 3/8" hose barb insert.
 FT-HFC108-35, 1/2" MNPT body and FT-HFC248-35, 1/2" MNPT insert.