

Series 385S Standard Threaded Well for 3/8" Diameter Elements



Application:

Standard length, 3/8" stem, bimetal thermometers.
#14-gage thermocouple elements. Armored liquid-in-glass test thermometers. Other temperature-sensing elements having 0.377" maximum diameter.

Connection Size:

3/4 and 1 NPT are standard. Other thread sizes are available upon request.

Protective Coatings for Thermowells:

- Resist Corrosion
- For Chemical Baths
- Color-Coded Sensors for Process Control

- Available in PFA, Epoxy and other materials. Consult Sales Department for complete information

Materials:

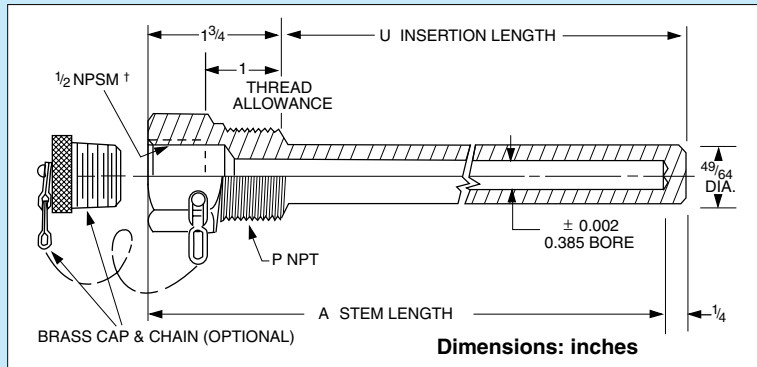
Brass (ASTM B-16), Carbon Steel (C-1018), Stainless Steel A.I.S.I. 304 & A.I.S.I. 316, Monel®. Wells are also available in special materials; prices on request.

Cap and Chain Options:

For Brass cap, add suffix "-CC-Brass" to the end of the model number for additional cost.

For 304 SS cap, add suffix "-CC" to the end of the model number for additional cost.

Series 385S—General Use



Metric Models Available!
Visit omega.com

† NPSM internal pipe thread will accept both NPT and NPS male threads.



To Order Visit omega.com/series_385s for Pricing and Details

External Thread P	Model Number	Stem Length A	Insert Length U
3/4 NPT	3/4-385S-U21/2-(*)	4	2 1/2
	3/4-385S-U41/2-(*)	6	4 1/2
	3/4-385S-U71/2-(*)	9	7 1/2
	3/4-385S-U101/2-(*)	12	10 1/2
	3/4-385S-U131/2-(*)	15	13 1/2
	3/4-385S-U161/2-(*)	18	16 1/2
	3/4-385S-U221/2-(*)	24	22 1/2
1 NPT	1-385S-U21/2-(*)	4	2 1/2
	1-385S-U41/2-(*)	6	4 1/2
	1-385S-U71/2-(*)	9	7 1/2
	1-385S-U101/2-(*)	12	10 1/2
	1-385S-U131/2-(*)	15	13 1/2
	1-385S-U161/2-(*)	18	16 1/2
	1-385S-U221/2-(*)	24	22 1/2

* Specify material type "304SS" for 304 stainless steel, "316SS" for 316 stainless steel, "CS" for carbon steel or "BRASS" for brass. PFA coating available.

Ordering Example: 3/4-385S-U71/2-304SS, 304 stainless steel thermowell with 3/4 NPT external thread, 0.385" internal Dia., 7 1/2" insertion length and a 9" stem length.

For Assistance in Choosing Head and Well Assemblies, visit omega.com. These wells are compatible with OMEGA® NB1, NB2; PR-12, PR-14, and NPT-style probes, as well as DialTemp™ Thermometers.

Shown close to actual size.

Pressure-Temperature Rating—lb Per Square Inch

Material	Temperature — °F						
	70°	200°	400°	600°	800°	1000°	1200°
Brass	5000	4200	1000	—	—	—	—
Carbon Steel	5200	5000	4800	4600	3500	1500	—
A.I.S.I. 304	7000	6200	5600	5400	5200	4500	1650
A.I.S.I. 316	7000	7000	6400	6200	6100	5100	2500
Monel	6500	6000	5400	5300	5200	1500	—

Increase Response Rate!
Use OT-201 Conductive Silicon Paste.

Discount Schedule

1-10.....	Net	25-100.....	20%
11-24.....	10%	101 and up....	Consult Sales