

Series 260W

Socket-Weld Design Thermowells for 1/4" Diameter Elements



Application:

260W series fits standard length 1/4" diameter elements.
385W series fits standard length 3/8" diameter elements.

Connection:

3/4 or 1" nominal pipe size welding shoulder fits ASA welding fittings, flanges, etc. Wells for larger pipe size fittings are available upon request.

Materials:

Carbon Steel (C-1018); A.I.S.I. 304 & A.I.S.I. 316 are standard. Other materials are available upon request.

Protective Coatings for Thermowells:

- Resist Corrosion
- For Chemical Baths

- Color-coded sensors for process control
- Available in PFA, Epoxy and other materials. Consult Sales Department for complete information

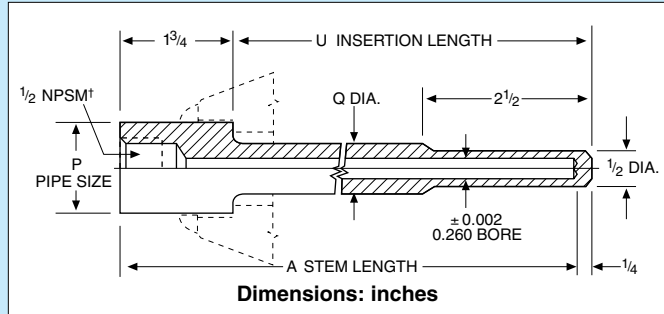
Lagging Extension:

When specifying lagging extension, choose a length which will permit the use of a standard element length. (See 260L and 385L lengths.)

Cap and Chain Options:

For Brass cap, add suffix "**-CC-Brass**" to the end of the model number when you order for an additional cost. For 304 SS cap, add suffix "**-CC**" to the end of the model number for an additional cost.

Series 260W



Metric Models Available! See omega.com

† NPSM internal pipe thread will accept both NPT and NPS male threads.



Shown smaller than actual size.

To Order Visit omega.com/series_260w for Pricing and Details

Pipe Size P	Model Number	Shank Diameter Q	P	Stem Length A	Insert Length U
3/4" Nominal (1.050" Diameter)	3/4-260W-U21/2-(*)	3/4	1.050	4	2 1/2
	3/4-260W-U41/2-(*)	3/4	1.050	6	4 1/2
	3/4-260W-U71/2-(*)	3/4	1.050	9	7 1/2
	3/4-260W-U101/2-(*)	3/4	1.050	12	10 1/2
	3/4-260W-U131/2-(*)	3/4	1.050	15	13 1/2
	3/4-260W-U161/2-(*)	3/4	1.050	18	16 1/2
	3/4-260W-U221/2-(*)	3/4	1.050	24	22 1/2
1" Nominal (1.315" Diameter)	1-260W-U21/2-(*)	7/8	1.315	4	2 1/2
	1-260W-U41/2-(*)	7/8	1.315	6	4 1/2
	1-260W-U71/2-(*)	7/8	1.315	9	7 1/2
	1-260W-U101/2-(*)	7/8	1.315	12	10 1/2
	1-260W-U131/2-(*)	7/8	1.315	15	13 1/2
	1-260W-U161/2-(*)	7/8	1.315	18	16 1/2
	1-260W-U221/2-(*)	7/8	1.315	24	22 1/2

* Specify material type "304SS" for 304 stainless steel, "316SS" for 316 stainless steel, "CS" for carbon steel or "BRASS" for brass. PFA coating available, see omega.com.

Ordering Example: 3/4-260W-U71/2-304SS, 304 SS thermowell with 3/4" pipe outside diameter, 0.260" internal diameter, 7 1/2" insertion length and a 9" stem length.

For Assistance in Choosing Head and Well Assemblies, See guide on omega.com. These wells are compatible with OMEGA® NB1, NB2; PR-12, PR-14, and NPT-style probes, as well as DialTemp™ Thermometers.

Pressure-Temperature rating—lb per square inch

Material	Temperature — °F						
	70°	200°	400°	600°	800°	1000°	1200°
Brass	5000	4200	1000	—	—	—	—
Carbon Steel	5200	5000	4800	4600	3500	1500	—
A.I.S.I. 304	7000	6200	5600	5400	5200	4500	1650
A.I.S.I. 316	7000	7000	6400	6200	6100	5100	2500
Monel	6500	6000	5400	5300	5200	1500	—

Increase Response Rate! Use OT-201 Conductive Silicon Paste; see omega.com

Discount Schedule	
1-10.....Net	25-100.....20%
11-24.....10%	101 and up.....Consult Sales

See omega.com for Maximum Fluid Velocity.