

ENCLOSURE HOLE PLUGS

NEMA 4X HOLE PLUGS FOR METALLIC AND NON-METALLIC ELECTRICAL ENCLOSURES

NEW



AMHSPL-S and AMHSPL-SGY, general purpose hole plug for hole diameters 12.7 to 15.8 mm (0.5 to 0.624") shown larger than actual size.

AMHS Series



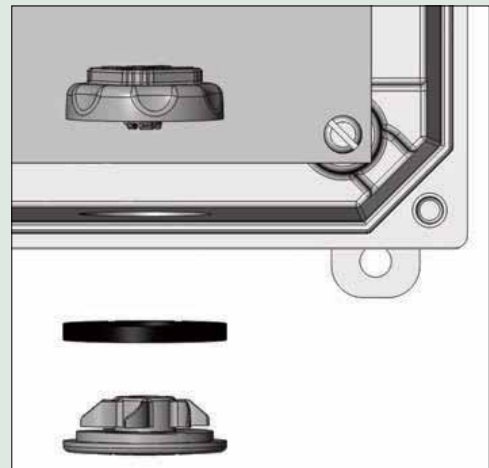
- Fast and Easy Assembly—No-Tools Required
- Capable of Sealing Hole Sizes from ½ to 4 ¾"
- Self Centering, Anti-Rotational Design
- Designed for Use with Wall Thicknesses from 16 Gauge Through ¼"
- Low Profile Interior Nut and Exterior Plug
- Available in Light Grey (RAL 7035) and Dark Grey (ANSI 61)

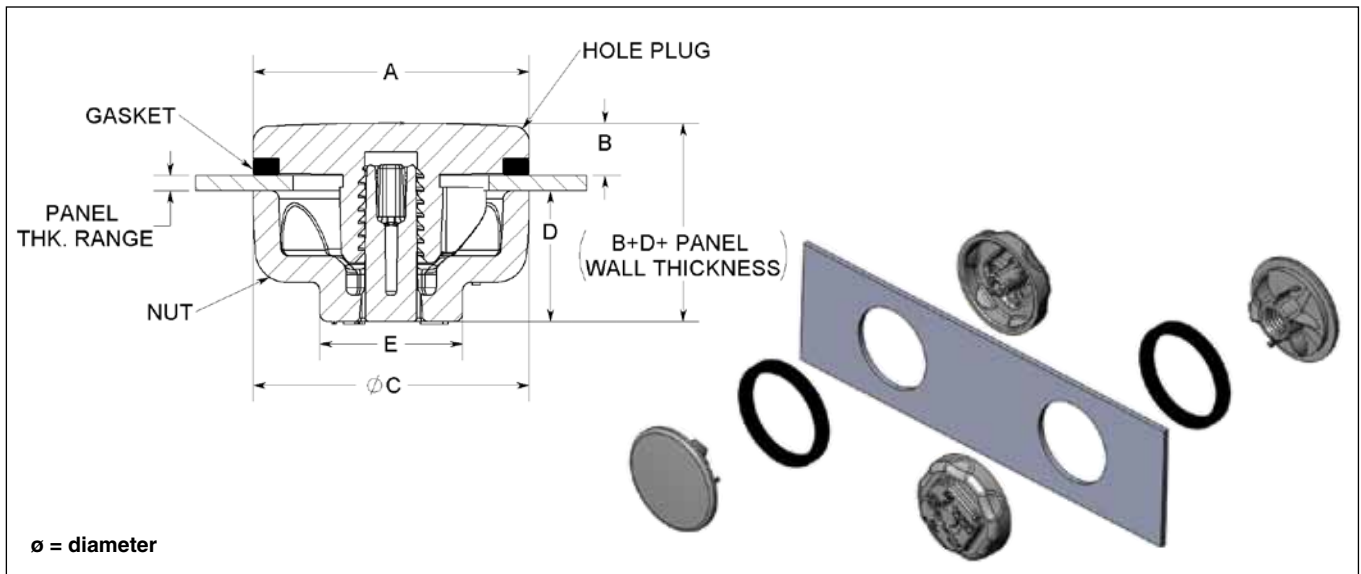
The AMHS Series hole plugs are designed to be used in plugging existing unwanted holes in electrical enclosures and come in standard hole sizes for pilot lights, push buttons and conduit fittings. They are available in light grey, RAL 7035, for use in fiberglass enclosures and dark grey, ANSI 61, for metal enclosures. Designed for simple installation in large enclosures can be done by one person.

Materials: Polycarbonate with neoprene/EPDM gasket

Simple One-Hand Installation

- 1) Push in plug
- 2) Twist & lock self-centering fins
- 3) Screw hand tight nut





To Order

MODEL NO.		TRADE SIZE REF.	DIMENSIONS: mm (inch)					
GENERAL PURPOSE POLYCARBONATE (PC) RAL 7035	GENERAL PURPOSE POLYCARBONATE (PC) ANSI 61		ENCLOSURE HOLE DIA. RANGE	A PLUG DIA.	B PLUG EXTERIOR HEIGHT	C NUT DIA.	D NUT HEIGHT	E ACROSS FLATS
LIGHT GRAY	DARK GRAY							
AMHSPL-S	AMHSPL-SGY	Pilot light	12.7 to 15.8 (0.500 to 0.624)	28 (1.12)	5.97 (0.235)	26.9 (1.06)	12.7 (0.5)	13.8 (0.545)
AMHSPL	AMHSPL-GY	Pilot light	15.9 to 20.6 (0.625 to 0.812)	28 (1.12)	5.97 (0.235)	26.9 (1.06)	12.7 (0.5)	13.8 (0.545)
AMHS050	AMHS050-GY	½" conduit and 22 mm pushbutton	20.7 to 23.8 (0.812 to 0.937)	31.6 (1.245)	5.97 (0.235)	30 (1.185)	12.7 (0.5)	15.4 (0.605)
AMHS075	AMHS075-GY	¾" conduit and 30 mm pushbutton	25.4 to 33.3 (1.000 to 1.312)	41 (1.62)	5.97 (0.235)	39.6 (1.56)	12.7 (0.5)	24 (0.945)
AMHS100	AMHS100-GY	1" conduit	34.9 to 41.2 (1.375 to 1.625)	48.8 (1.923)	5.97 (0.235)	47.6 (1.873)	12.7 (0.5)	24 (0.945)
AMHS125	AMHS125-GY	1¼" conduit	42.8 to 47.6 (1.687 to 1.875)	55.4 (2.183)	5.97 (0.235)	53.9 (2.123)	12.7 (0.5)	30.3 (1.195)
AMHS150	AMHS150-GY	1½" conduit	50.8 to 55.3 (2.000 to 2.187)	63.3 (2.495)	5.97 (0.235)	61.8 (2.435)	12.7 (0.5)	30.3 (1.195)
AMHS200	AMHS200-GY	2" conduit	63.5 to 69.9 (2.500 to 2.75)	79.3 (3.12)	5.97 (0.235)	77.7 (3.06)	19 (0.75)	32.8 (1.291)
AMHS250	AMHS250-GY	2½" conduit	73 to 79.3 (2.875 to 3.125)	88.8 (3.495)	5.97 (0.235)	87.2 (3.435)	19 (0.75)	37.9 (1.491)
AMHS300	AMHS300-GY	3" conduit	88.9 to 95.2 (3.500 to 3.750)	105 (4.12)	5.97 (0.235)	103 (4.06)	19 (0.75)	37.9 (1.491)
AMHS350	AMHS350-GY	3½" conduit	101 to 108 (4.000 to 4.250)	117 (4.62)	5.97 (0.235)	116 (4.56)	19 (0.75)	37.9 (1.491)
AMHS400	AMHS400-GY	4" conduit	114 to 121 (4.500 to 4.750)	130 (5.12)	5.97 (0.235)	129 (5.06)	19 (0.75)	37.9 (1.491)

Enclosure wall thickness 1.5 to 6.3 mm (0.059 to 0.250")

Ordering Examples: **AMHS050**, light grey hole plug, fits ½" conduit and 22 mm pushbutton hole, color RAL 7013 for fiberglass enclosure
AMHS075-GY, dark grey hole plug, fits ¾" conduit and 30 mm pushbutton hole size, ANSI 61 grey for metal enclosures.