

LEVEL TRACK MOUNTING SYSTEMS

LVM-11



LVCN-12, optional.

- ✓ Adjustable In-Tank Mounting System
- ✓ Mounts Up to Four Sensors
- ✓ Mixer Compatible With Rotational Velocities of Up to 1.5 fps
- ✓ Optional Side Mount Bracket Conveniently Mounts the Track to Tank Wall
- ✓ Permits Different Sensing Technologies for Additional Safety
- ✓ Easy to Adjust with Changing Processes
- ✓ Integral Controller Options Available

OMEGA's level track system is an in-tank (unpressurized tanks only) mounting system that enables the user to install and adjust up to four OMEGA® sensors to any depth along the entire length of the track. The track is made entirely of polypropylene and is available in 0.6, 1.2 or 1.8 m (2, 4, 6, 8 or 10') lengths. Lengths of up to 1.8 m (10') can be special ordered.

Select the level track system for mixing applications with radial velocities up to 1.5 fps (feet per second). The track mounts vertically through the top of the tank with a standard 2 NPT tank adaptor. Each track kit includes a 2 NPT fitting assembly, a two, four or six foot track section, and one sensor car. Additional sensor cars can be purchased separately. Sensors are all sold separately.

SPECIFICATIONS

Track Length: Available in 0.6, 1.2 or 1.8 m (2, 4, 6, 8 and 10')

Wetted Material: 20% glass filled Polypropylene (PP)

Mounting Threads: 2 NPT tank adaptor or side mount bracket

Maximum Temperature Rating: 90°C (194°F)

Sensor Car Adjustment:

Along the entire length of track

Mounting Orientation: Vertical

Radial Velocities: Up to 1.5 fps

Dimensions: 2.5 cm (1") square by lengths of 0.6, 1.2 or 1.8 m (2, 4, 6, 8 and 10')

Side Mount Bracket: 15 x 8.1 x 5 cm (6 x 3.2 x 2")

Side Mount Bracket Mounting Method:

Bolted or welded to side wall of tank

Level track mounting systems may be used with the following sensors: LVU-150, LVC-100 and LVV-110. Sold separately and available online.

Available in 2, 4, 6, 8, or 10' Lengths



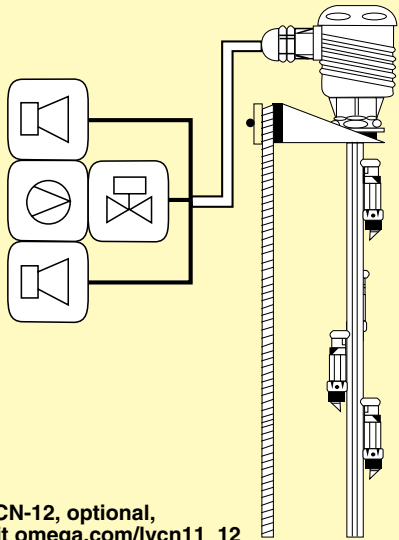
LVM-11 shown smaller than actual size.

Use the LVM level track as part of an overall level control system.



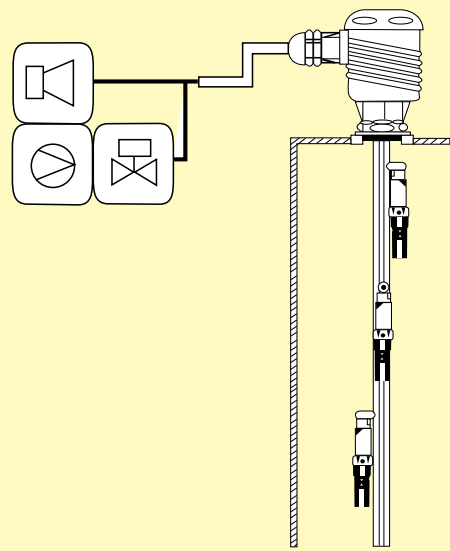
K

Automatic Fill or Empty with High and Low Level Alarm

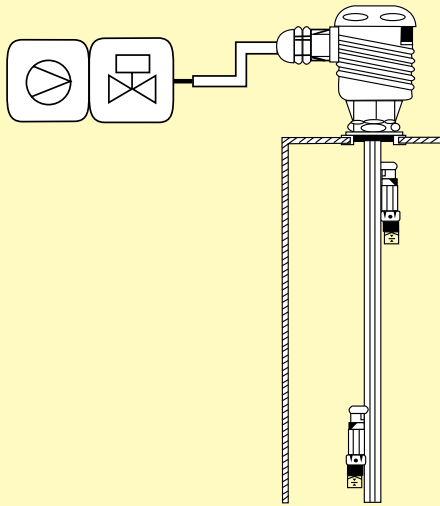


LVCN-12, optional, visit omega.com/lvcn11_12

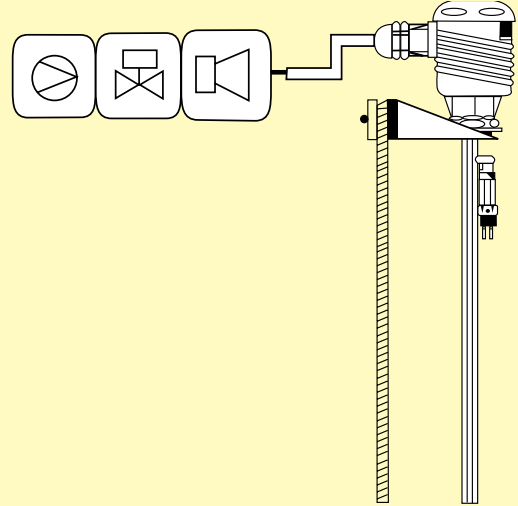
Automatic Fill or Empty with High or Low Level Alarm



Automatic Fill or Empty



High or Low Level Switch



To Order

Model No.	Description	Size
LVM-11	Level track kit	2' x 1" square
LVM-12	Level track kit	4' x 1" square
LVM-13	Level track kit	6' x 1" square
LVM-14	Level track kit	8' x 1" square
LVM-15	Level track kit	10' x 1" square
LVM-20	Sensor car kit	2 x 1"
LVM-30	Side mount bracket	6 x 3.2 x 2"
LVCN-11	4 sensor electrical housing	2.8 x 4.5 x 3/4 NPT
LVCN-12	2 sensor electrical housing	2.8 x 3.5 x 3/4 NPT

Comes complete with operator's manual.

Track comes with 2 NPT fitting and one sensor car. Sensors sold separately.

Ordering Examples: LVM-11, 2' track kit, plus LVM-20, sensor car kit, plus LVM-30, side mount bracket.

LVM-12, 4' track kit, two LVM-20 sensor car kits, LVCN-12, electrical housing.