

DIN Rail Mounting Brackets

For 1/16 or 1/32 DIN Instruments

CN9-16-MB



CN9-16-MB shown smaller than actual size, with CN77333 and CNI3222.

- ✓ Quickly and Easily DIN Rail Mount Instruments
- ✓ Quickly and Easily Wall Mount Instruments
- ✓ 1/16 and 1/32 DIN Sizes
- ✓ For Units Up to 120 mm (4.7") Depth

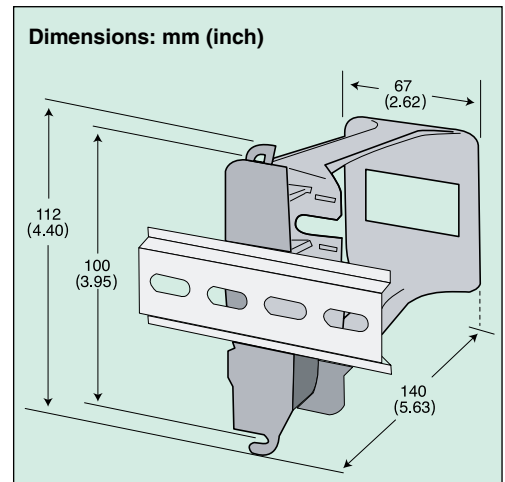
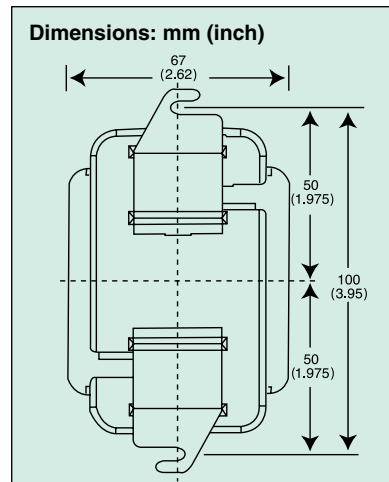
The CN9-16MB and CN9-32MB mounting brackets allows quick and easy mounting of standard DIN panel instruments on either a DIN rail or to the wall. Mounting brackets are offered for both 1/16 DIN and 1/32 DIN panel instruments that have less than 120 mm (4.7") depth, including connectors and wires, behind the front bezel.

DIN Mount: Attaches to standard DIN rail

Material: Plastic, fire-retardant polycarbonate, GE Lexan 940

Dimensions: 112 H x 67 W x 140 mm D (4.4 x 2.62 x 5.63")

Weight: 50 g (2 oz)



Specifications

CN9-16-MB Cutout Dimensions:
45 x 45 mm (1.77 x 1.77")

CN9-32-MB Cutout Dimensions:
22 x 45 mm (0.866 x 1.77")

Max Instrument Depth: 120 mm (4.7")

Wall Mounting Holes: 100 mm (3.95") c-c, top and bottom

To Order

Model No.	Description
CN9-16-MB	Mounting bracket for 1/16 DIN instrument
CN9-32-MB	Mounting bracket for 1/32 DIN instrument

Ordering Example: CN9-16-MB, mounting bracket for 1/16 DIN instrument.