

Screw Connection Multi-Conductor Terminal Blocks

XBUT D



- ✓ Maintenance-Free Connections
- ✓ Global Acceptance
- ✓ Multi-Conductor Connections
- ✓ Flexible Plug-In Bridge System
- ✓ Large Surface Area for Marking
- ✓ Standardized Testing System
- ✓ Metal Parts Made of Tin-Plated Copper Alloy

The multi-conductor terminal blocks offer a space-saving alternative to standard feed-through terminal blocks allowing for high density wiring. Often, three connections have to be led to one terminal block. The XBUT D12 terminal block accomplishes this without any additional terminal blocks or bridging required. The XBUT D22 terminal blocks allow four wires to be connected to one potential and can therefore be used as compact power distributors.

SPECIFICATIONS FOR XBUT4D12, XBUT4D22

Terminal Width: 6.2 mm (0.24")

Wire Size: 10 AWG/4 mm²

IEC 60 947-7-1 in V/A/AWG:

500/39/26-10

UL-cUL Ratings in V/A/AWG:

150/30/26-10

Width/Length/Cover Width in mm (in):

XBUT4D12: 6.2 (0.24)/56.8 (2.24)/2.2 (0.09)

XBUT4D22: 6.2 (0.24)/64.1 (2.52)/2.2 (0.09)

Height for 35 x 7.5/35 x 15 in mm (in): 47.5 (1.87)/55.0 (2.17)

SPECIFICATIONS FOR XBUT25D12, XBUT25D22

Terminal Width: 5.2 mm (0.20")

Wire Size: 12 AWG/2.5 mm²

IEC 60 947-7-1 in V/A/AWG:

500/28/26-12

UL-cUL Ratings in AWG:

150/20/26-12

Width/Length/Cover Width in mm (in): 5.2 (0.20)/56.8 (2.24)/2.2 (0.09)

Height for 35 x 7.5/35 x 15 in mm (in): 47.5 (1.87)/55.0 (2.17)

ADDITIONAL SPECIFICATIONS FOR XBUT4D12, XBUT25D22

TECHNICAL DATA IN ACCORDANCE WITH IEC

Maximum Load Current in A/Cross Section in mm² FOR XBUT25D12, XBUT25D22: 28/4

Maximum Load Current in A/Cross Section in mm² FOR XBUT4D12, XBUT4D22: 39/6

Rated Surge Voltage in kV/

Contamination Class: 6/3

Surge Voltage Category/Insulating Material Group: III/I

CONNECTION CAPACITY

XBUT4D12, XBUT4D22

Stranded with Ferrule/with Ferrule

and Plastic Sleeve in mm²: 0.25 to 4/0.25 to 4

XBUT25D12, XBUT25D22

Stranded with Ferrule/with Ferrule

and Plastic Sleeve in mm²: 0.25 to 2.5/0.25 to 2.5

MULTI-CONDUCTOR CONNECTION (SAME CROSS-SECTION)

Solid/Stranded in mm²: 0.14 to 1.0/0.14 to 1.0

Stranded with Ferrules without Plastic Sleeve in mm²: 0.25 to 1.0

Stranded with Twin Ferrule with Plastic Sleeve in mm²: 0.5 to 1.0

Stripping Length in mm (in): 8 (0.31)

Thread: M3

Torque, in-lb (Nm): 0.6 to 0.8 (5.3 to 7.1)

XBUT25D22

XBUT25D12

XBUT4D22



XBACUT4D12

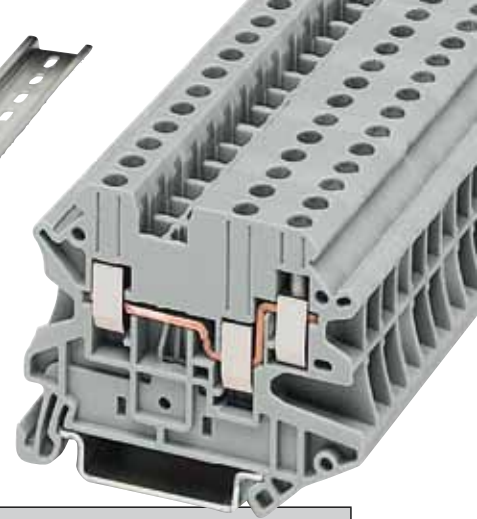


XBAES35C

XBANS3575P



XBUT4D12



To Order

Model No.	Description
XBUT25D12	Gray, 5.2 mm (0.20") wide 3-wire multi-conductor TB 26 to 8 AWG
XBUT25D12BU	Blue, 5.2 mm (0.20") wide 3-wire multi-conductor TB 26 to 8 AWG
XBUT4D12	Gray, 6.2 mm (0.24") wide 3-wire multi-conductor TB 26 to 10 AWG
XBUT4D12BU	Blue, 6.2 mm (0.24") wide 3-wire multi-conductor TB 26 to 10 AWG
XBUT25D22	Gray, 5.2 mm (0.20") wide 4-wire multi-conductor TB 26 to 8 AWG
XBUT25D22BU	Blue, 5.2 mm (0.20") wide 4-wire multi-conductor TB 26 to 8 AWG
XBUT4D22	Gray, 6.2 mm (0.24") wide 4-wire multi-conductor TB 26 to 10 AWG
XBUT4D22BU	Blue, 6.2 mm (0.24") wide 4-wire multi-conductor TB 26 to 10 AWG

Ordering Examples: XBUT25D12BU, blue multi conductor terminal block, XBACUT4D12, end cover, XBANS3575P, DIN rail. XBUT4D12, multi-conductor terminal block, XBACUT4D12, end cover, XBMZB6, blank marker strip, XBANS3575P, DIN rail.

ACCESSORIES

Model No.	Description
XBACUT4D12	Gray end cover for XBUT4D12 and XBUT25D12 series
XBACUT4D22	Gray end cover for XBUT4D22 and XBUT25D22 series
XBAFBS25	Red 2-position plug-in bridge for XBUT25D12 and XBUT25D22 series
XBAFBS35	Red 3-position plug-in bridge for XBUT25D12 and XBUT25D22 series
XBAFBS55	Red 5-position plug-in bridge for XBUT25D12 and XBUT25D22 series
XBAFBS105	Red 10-position plug-in bridge for XBUT25D12 and XBUT25D22 series
XBAFBS505	Red 50-position plug-in bridge for XBUT25D12 and XBUT25D22 series
XBAFBS26	Red 2-position plug-in bridge for XBUT4D12 and XBUT4D22 series
XBAFBS36	Red 3-position plug-in bridge for XBUT4D12 and XBUT4D22 series
XBAFBS56	Red 5-position plug-in bridge for XBUT4D12 and XBUT4D22 series
XBAFBS106	Red 10-position plug-in bridge for XBUT4D12 and XBUT4D22 series
XBAFBS506	Red 50-position plug-in bridge for XBUT4D12 and XBUT4D22 series
XBATSPA14	Test adaptor
XBMZB5	White blank marker strip for XBUT25D12 and XBUT25D22 series
XBMZB6	White blank marker strip for XBUT4D12 and XBUT4D22 series
XBANS3575P	DIN rail 35 x 7.5 mm x 2 m (1.4 x 0.30" x 6.6') slotted
XBANS3575U	DIN rail 35 x 7.5 mm x 2 m (1.4 x 0.30" x 6.6') solid
XBANS3515P	DIN rail 35 x 15 mm x 2 m (1.4 x 0.60" x 6.6') slotted
XBANS3515U	DIN rail 35 x 15 mm x 2 m (1.4 x 0.60" x 6.6') solid
XBAES35C	1-screw mounted end stop
XBAES35T	3-screw mounted end stop
XBAES35N	Snap-on end stop