

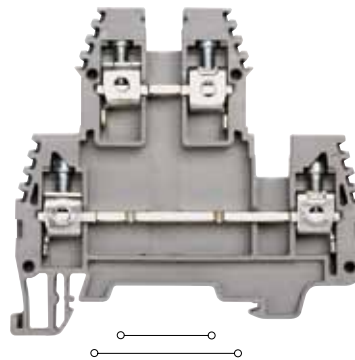
Multi-Level Screw Connection Terminal Blocks

PIK/PUK Series

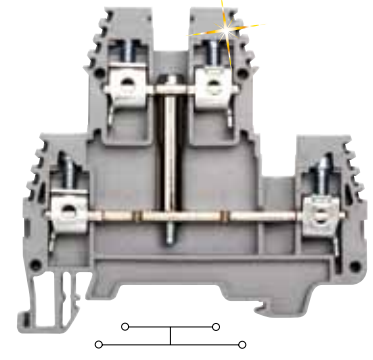


All models shown smaller than actual size.

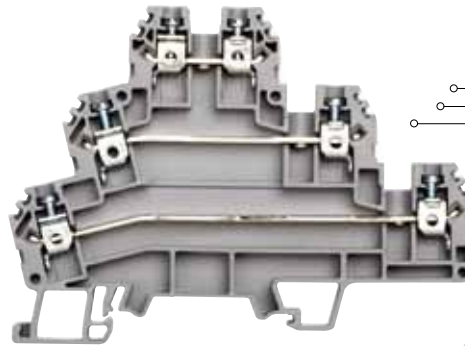
- ✔ Space Saving Feed Through Terminals
- ✔ Multiple Connections to One Potential
- ✔ For Use with 3- and 4-Wire Sensors
- ✔ Screw Connection for Secure, Maintenance Free Connection
- ✔ Self-Locking Zinc Plated Wire Clamps
- ✔ Full Line of Accessories: End Plates, Cross Connectors and Marking Tags



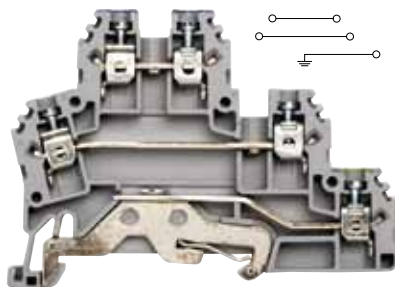
PIK-4N two level feed through terminal.



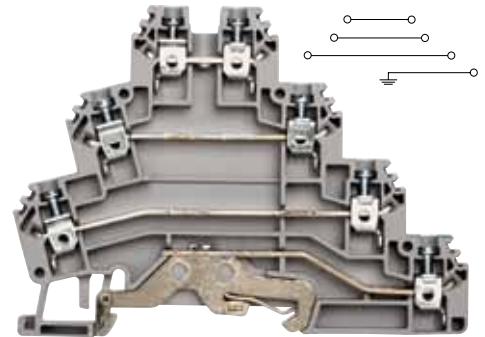
PIK-4NK one in and three out terminal.



PUK-3 three level feed through terminal.



PUK-2T two level feed through with ground.



PUK-3T three level feed through with ground.

The PIK and PUK Series multi-level terminal blocks are specialty terminals to fit a variety of needs. The PIK-4N terminals allows for dual feed through connections while the PIK-4NK has an internal connecting bridge for common feeds that allow for one-in and three-out connections. The PUK Series reduces installation time by terminating 3 and 4 wire devices like photoelectric and proximity sensors in a single terminal block. The PUK-3 is a three level feed through terminal, while the PUK-2T and PUK-3T are for 3- or 4-wire sensors and come with a ground connection.

SPECIFICATIONS

ELECTRICAL RATINGS	PIK-4N	PIK-4NK	PUK-3	PUK-2T	PUK-3T
Voltage/Current	750V/34 A	750V/34 A	500V/24 A	500V/24 A	500V/24 A
VDE (IEC 60947-7-1)	500V/32 A	500V/32 A	440V/24 A	440V/24 A	440V/24 A
UL	300V/32 A	300V/32 A	300V/24 A	300V/24 A	300V/24 A
Insulation Strip Length	9 mm	9 mm	9 mm	9 mm	9 mm
AWG	26-10	26-10	24-12	24-12	24-12
Width	6 mm	6 mm	6 mm	6 mm	6 mm
End Plate-Partition	PIK-4N-EP	PIK-4N-EP	PUK-3-EP	PUK-2T-EP	PUK-3T-EP
Cross-Connectors/2	OM-474132	OM-474132	OM-480132	OM-480132	OM-480132
Cross-Connectors/3	OM-474133	OM-474133	OM-480133	OM-480133	OM-480133
Cross-Connectors/4	OM-474134	OM-474134	OM-480134	OM-480134	OM-480134
Cross-Connectors/10	OM-474139	OM-474139	OM-480139	OM-480139	OM-480139

FEED THROUGH TERMINAL BLOCKS			
MODEL NO.	AMPS	AWG	DESCRIPTION
PIK-4N	32	26-10	Two level feed through terminal block
PIK-4N	32	26-10	Two level feed through terminal block
PIK-4NK	32	26-10	One-in, 3-out multi-connection terminal block
PUK-3	24	24-12	Three level feed through terminal block
PUK-3	24	24-12	Three level feed through terminal block
PUK-2T	24	24-12	Two level feed through or 3-wire sensor terminal block with ground
PUK-2T	24	24-12	Two level feed through or 3-wire sensor terminal block with ground
PUK-3T	24	24-12	Three level feed through or 4-wire sensor terminal block with ground
PUK-3T	24	24-12	Three level feed through or 4-wire sensor terminal block with ground



OM-474133, shown larger than actual size.

ACCESSORIES

MODEL NO.	DESCRIPTION	
PIK-4N-EP	End plate-partition for PIK terminals	
PUK-3-EP	End plate-partition for PUK 3 terminals	
PUK-2T-EP	End plate-partition for PUK 2T terminals	
PUK-3T-EP	End plate-partition for PUK 3T terminals	
T-BLK-EB	DIN rail end bracket 10 pcs per pack	
CROSS-CONNECTORS		
OM-474132	2 position screw connection jumper for PIK terminals	
OM-474133	3 position screw connection jumper for PIK terminals	
OM-474134	4 position screw connection jumper for PIK terminals	
OM-474139	10 position screw connection jumper for PIK terminals	
OM-480132	2 position screw connection jumper for PUK terminals	
OM-480133	3 position screw connection jumper for PUK terminals	
OM-480134	4 position screw connection jumper for PUK terminals	
OM-480139	10 position screw connection jumper for PUK terminals	
MARKING TAGS		
MKR-NO-PRINT	50/per card	Marking tag without print
MKR-1-10	50/per card	Marking tag 1 to 10
MKR-11-20	50/per card	Marking tag 11 to 20
MKR-1-50	50/per card	Marking tag 1 to 50
MKR-51-100	50/per card	Marking tag 51 to 100
MKR-101-150	50/per card	Marking tag 101 to 150
MKR-151-200	50/per card	Marking tag 151 to 200
MKR-201-250	50/per card	Marking tag 201 to 250