

DIN RAIL MOUNT SIGNAL CONDITIONER FOR AC TRANSDUCERS

LDX-D



- ✓ Operates on 10 to 30 Vdc
- ✓ ±10 Vdc or 20 mA Selectable Output
- ✓ Compatible with AC LVDTs

The LDX-D is a DC-powered conditioning module that can accept a wide range of analog inductive transducer types owing to its wide input gain. The signal polarity, span, and offset are adjustable. Output is selectable: ±10 Vdc voltage or ±20 mA current.

The housing is a standard DIN rail enclosure that can clip directly to a 35 mm top-hat rail (TS35 EN50022).

Transducers are connected via the screw terminals on the front of the LDX-D. Internal links and front-panel fine-adjustment potentiometers facilitate setup.

By linking 2 LDX-D modules, users can perform some analog arithmetic functions, such as $A + B$, $A - B$, $(A + B)/2$ and $(A - B)/2$.

SPECIFICATIONS

Power Requirement: 10 to 30 Vdc

Supply Current:

Voltage Range: 140 mA @ 10 Vdc,

60 mA @ 30 Vdc

Current Range: 160 mA @ 10 Vdc,

70 mA @ 30 Vdc

Transducer Excitation:

Primary Voltage: 3 Vrms nominal

Primary Frequency (kHz): 5-, 10- or 13-link selectable

Signal Input:

Input Range: 55 to 5000 mV

Input Load Resistance: 100 k Ω

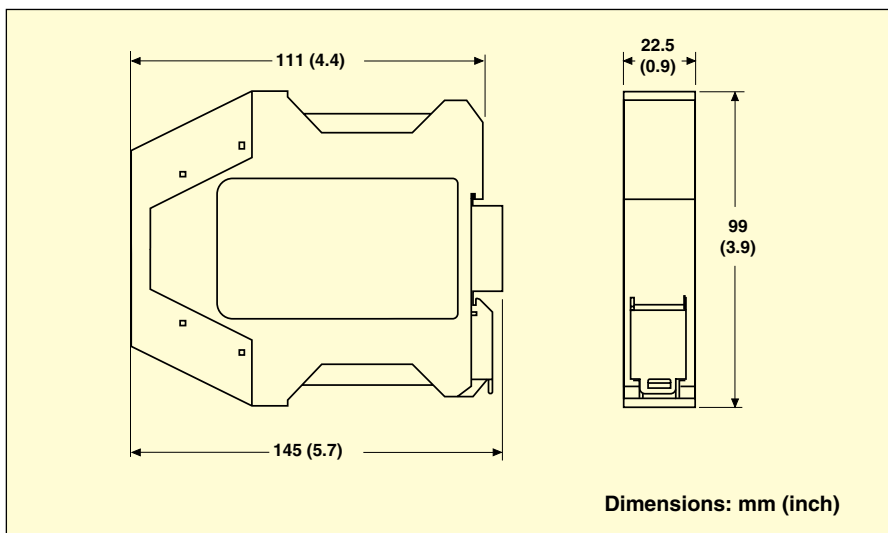
Signal Output:

Voltage Output: Up to ±10 Vdc

Current Output: Up to 20 mA into 150 Ω load

Output Ripple: <1 mVrms

LDX-D, shown smaller than actual size.



Output Offset: Up to 100%

Temp Coefficient Gain: <0.01% FSO/ $^{\circ}$ C

Temp Coefficient Offset: <0.01% FSO/ $^{\circ}$ C

Warm-Up: 15 minutes recommended

Linearity: <0.1% FSO

Bandwidth (-3 dB): 500 Hz or 1 kHz, link selectable

ENVIRONMENTAL

Operating Temp: 0 to 60 $^{\circ}$ C (32 to 140 $^{\circ}$ F)

Storage Temp: -20 to 85 $^{\circ}$ C (-4 to 185 $^{\circ}$ F)

MECHANICAL

Transducer: Screw terminals

Power Supply: Screw terminals

Output Signal: Screw terminals

Weight: 120 g (4.2 oz)

Case Material: Green polyamide

To Order Visit omega.com/ldxd for Pricing and Details

MODEL NO.	DESCRIPTION
LDX-D	DC-powered signal conditioner for AC LVDT (DIN rail)

Comes complete with operator's manual.

Ordering Example: LDX-D, DC-powered signal conditioner for AC LVDTs (DIN rail).