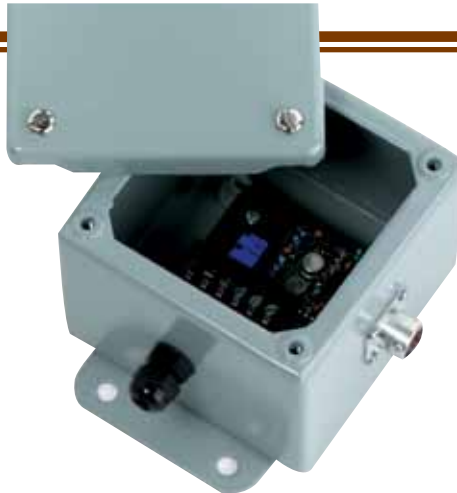


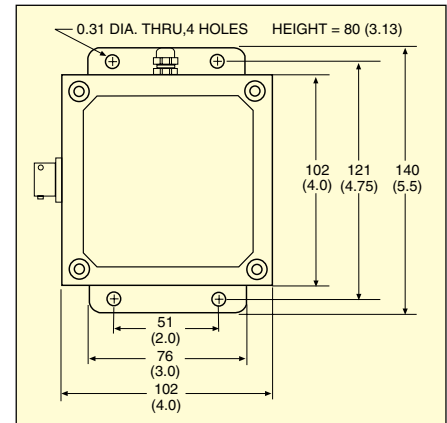
# IN-LINE AMPLIFIERS FOR PRESSURE TRANSDUCERS AND LOAD CELLS

1 bar = 14.5 psi  
1 kg/cm<sup>2</sup> = 14.22 psi  
1 Atmosphere = 14.7 psi = 29.93 in-Hg = 760.2 mm-Hg = 1.014 bar

## DMD Series In-Line Amplifiers



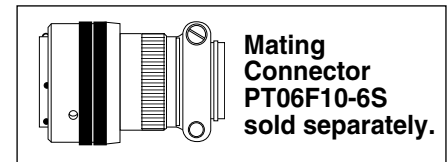
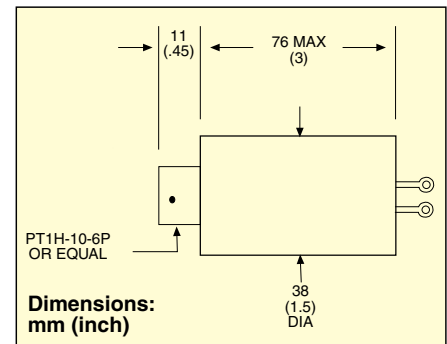
NEMA-12 Model DMD-17,  
Shown Smaller Than Actual Size



- ✓ NEMA-4, NEMA-12 or Lightning Protected Junction Box Enclosures Available
- ✓ Rugged Design for Industrial Applications
- ✓ Models with 0-5 Vdc, Triple Range 0-5 Vdc, or 4-20 mA Outputs



NEMA-4 Model DMD-19,  
Shown Smaller Than Actual Size



The DMD Series In-Line Amplifiers convert a mV/V transducer into either a 0-5 Vdc or 4-20 mA output device. They are intended for applications where physical conditions will not allow the amplifier to be integral with the transducer body and must be ordered with a transducer as they are calibrated with that transducer to effect their output over the range of the transducer. The 4-20 mA output amplifiers require a bridge resistance of at least 5000 Ω.

## SPECIFICATIONS

**Accuracy:** Consistent with the amplified versions of the base mV/V transducer.

**Excitation:** 28 Vdc ±4 V for 5 Vdc models ±15 Vdc for Triple Range 5 V model 10 to 40 Vdc for 4-20 mA models

## To Order

OUTPUT	MODEL NO.	CASE	CONNECTIONS	
			Transducer	Output
<b>0-5 Vdc Output</b>				
Must be ordered with a transducer and system calibration. (Additional cost applies.)				
0 to 5 Vdc	<b>DMD-19V</b>	NEMA-4	PT1H-10-6P	PT1H-10-6P
0 to 5 Vdc	<b>DMD-17V</b>	NEMA-12	PT1H-10-6P	Screw Term
<b>Triple Range 0-5Vdc Output</b>				
0 to 5 Vdc	<b>DMD-19V3</b>	NEMA-4	PT1H-10-6P	PT1H-10-6P
<b>4-20 mA Output</b>				
Must be ordered with a transducer and system calibration. (Additional cost applies.)				
4-20 mA	<b>DMD-19I*</b>	NEMA-4	PT1H-10-6P	PT1H-10-6P
4-20 mA	<b>DMD-17I*</b>	NEMA-12	PT1H-10-6P	Screw Term
4-20 mA	<b>DMD-18I-JB*</b>	Lightning Protected Junction Box with ½-14 fittings and Screw Terminal connections		

**Ordering Examples:** 1.) **DMD-19V** is a NEMA-4 style 0-5 Vdc output amplifier with twist-lock 6 pin connectors as the input and output. Mating Connectors, 2 required, (not included) **PT06F10-6S**. 2.) **DMD-17I** is a NEMA-12 style 4-20 mA output amplifier with a PT1H-10-6P twist-lock 6 pin connector on the transducer input and screw terminal output. Mating Connector (not included) **PT06F10-6S**.

\* Will only function with 5000Ω bridge input. (Example PX78 mV output transducers.)