

CE



User's Guide

Shop online at

omega.com[®]
Ω OMEGA[®]

www.omega.com

e-mail: info@omega.com



FPB 1400
Paddle Wheel Meter



OMEGAnet® Online Service www.omega.com	Internet e-mail info@omega.com
---	---

Servicing North America:

USA: One Omega Drive, Box 4047
ISO 9001 Certified Stamford CT 06907-0047
Tel: (203) 359-1660 FAX: (203) 359-7700
e-mail: info@omega.com

Canada: 976 Bergar
Laval (Quebec) H7L 5A1
Tel: (514) 856-6928 FAX: (514) 856-6886
e-mail: info@omega.ca

For immediate technical or application assistance:

USA and Canada: Sales Service: 1-800-826-6342 / 1-800-TC-OMEGA®
Customer Service: 1-800-622-2378 / 1-800-622-BEST®
Engineering Service: 1-800-872-9436 / 1-800-USA-WHEN®
TELEX: 996404 EASYLINK: 62968934 CABLE: OMEGA

Mexico: En Español ol: (001) 203-359-7803 e-mail: espanol@omega.com
FAX: (001) 203-359-7807 info@omega.com.mx

Servicing Europe:

Benelux: Postbus 8034, 1180 LA Amstelveen, The Netherlands
Tel: +31 (0)20 3472121 FAX: +31 (0)20 6434643
Toll Free in Benelux: 0800 0993344
e-mail: sales@omegaeng.nl

Czech Republic: Rude arm-dy 1868, 733 01 Karvin- 8
Tel: +420 (0)59 6311899 FAX: +420 (0)59 6311114
Toll Free: 0800-1-66342 e-mail: info@omegashop.cz

France: 11, rue Jacques Cartier, 78280 Guyancourt, France
Tel: +33 (0)1 61 37 29 00 FAX: +33 (0)1 30 57 54 27
Toll Free in France: 0800 466 342
e-mail: sales@omega.fr

Germany/Austria: Daimlerstrasse 26, D-75392 Deckenpfronn, Germany
Tel: +49 (0)7056 9398-0 FAX: +49 (0)7056 9398-29
Toll Free in Germany: 0800 639 7678
e-mail: info@omega.de

United Kingdom: One Omega Drive, River Bend Technology Centre
ISO 9002 Certified Northbank, Irlam, Manchester
M44 5BD United Kingdom
Tel: +44 (0)161 777 6611
Toll Free in United Kingdom: 0800-488-48 FAX: +44 (0)161 777 6622
e-mail: sales@omega.co.uk

It is the policy of OMEGA to comply with all worldwide safety and EMC/EMI regulations that apply. OMEGA is constantly pursuing certification of its products to the European New Approach Directives. OMEGA will add the CE mark to every appropriate device upon certification.

The information contained in this document is believed to be correct, but OMEGA Engineering, Inc. accepts no liability for any errors it contains, and reserves the right to alter specifications without notice.

WARNING: These products are not designed for use in, and should not be used for, patient-connected applications.

TABLE OF CONTENTS

1. UNPACKING THE PADDLE WHEEL METER.....	1
1.1 Inspect Package for External Damage.....	1
1.2 Unpack the Paddle Wheel Meter.....	1
1.3 Returning Merchandise for Repair.....	1
2. FPB1400 PADDLE WHEEL METERS.....	1
2.1 Principles of Operation.....	1
3. SPECIFICATIONS.....	2
4. PARTS.....	3
5. INSTALLATION.....	4
6. MAINTENANCE.....	4
6.1 Sensors.....	4
6.2 Paddle Wheel Disassembly.....	4

*The selection of materials of construction, is the responsibility of the customer.
The company accepts no liability.*

1. UNPACKING THE FPB1400

1.1 Inspect Package for External Damage

Your was carefully packed in a sturdy cardboard carton, with anti-static cushioning materials to withstand shipping shock. Upon receipt, inspect the package for possible external damage. In case of external damage to the package contact the shipping company immediately.

Remove the Packing List and verify that you have received all equipment. If you have any questions about the shipment, please call the Omega® Customer Service Department at 1-800-622-2378 or (203) 359-1660. Your FPB1400 Paddle Wheel Meter was carefully packed in a sturdy cardboard carton, with anti-static cushioning materials to withstand shipping shock. Upon receipt, inspect the package for possible external damage. In case of external damage to the package contact the shipping company immediately.

1.2 Unpack the Paddle Wheel Meter

Open the carton carefully from the top and inspect for any sign of concealed shipping damage. In addition to contacting the shipping carrier please forward a copy of any damage report to Omega® directly. When unpacking the instrument please make sure that you have all the items indicated on the Packing List. Please report any shortages promptly.

1.3 Returning Merchandise for Repair

Please contact an Omega® customer service representative and request a Return Authorization Number (AR). It is mandatory that any equipment returned for servicing be purged and neutralized of any dangerous contents including but not limited to toxic, bacterially infectious, corrosive or radioactive substances. No work shall be performed on a returned product unless the customer submits a fully executed, signed SAFETY CERTIFICATE. Safety form can be obtained from Omega® Customer Service.

2. FPB1400 PADDLE WHEEL METERS

2.1 Principles of Operation

FPB1400 liquid flow meters consist of a meter body that is installed in-line in a conduit system. Inside, between the inlet and the outlet connections is a rotary wheel with permanent magnets embedded at 180 degrees in paddles.

Fluid flowing through the meter causes the paddle to spin. A magnetic sensor picks up the frequency of pulses, and the readings are proportional to the liquid flow taking place. The number of pulses per unit time interval and a K-factor (pulses/unit of flow) facilitate determining the volumetric rate of flow through the meter.

3. SPECIFICATIONS

WETTED MATERIALS		
	POLYPROPYLENE UNITS	PVDF UNITS
BODY	Polypropylene	PVDF
LID	Acrylic	PVDF
PADDLE WHEEL	PVDF	PVDF
SHAFT	Nickel Tungsten Carbide	Zirconia Ceramic
BEARINGS	Sapphire Jewels	Sapphire Jewels
O-RINGS	EPDM	PTFE

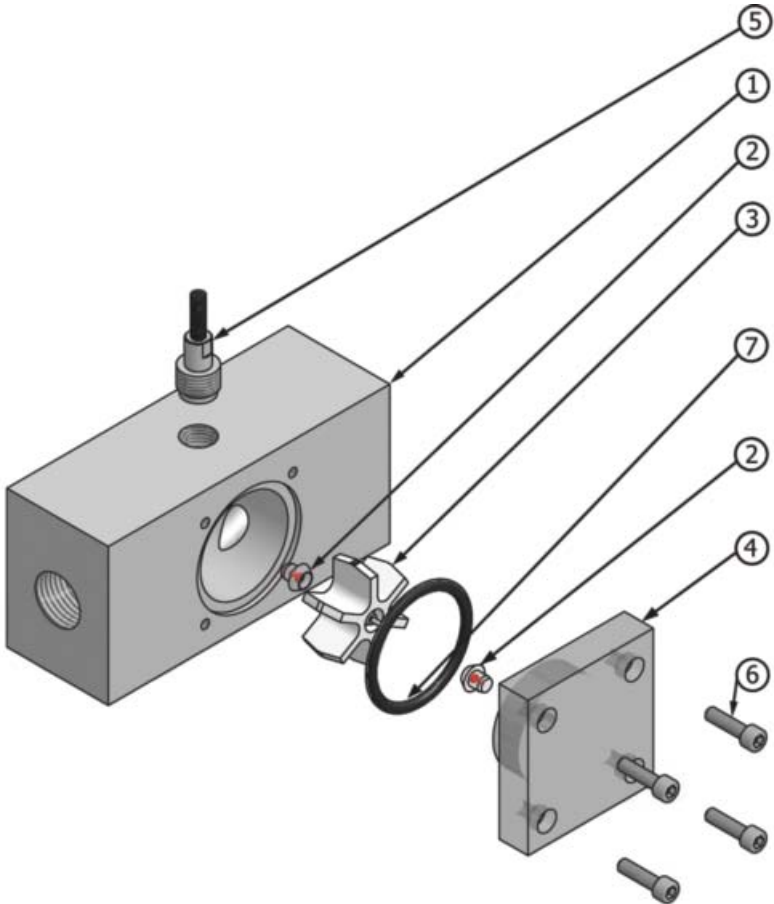
SPECIFICATIONS	
ACCURACY	±1% FS.
MAX TEMPERATURE	60 °C (140 °F).
MAX PRESSURE	10 bar (150 psi).
POWER	5 to 24 Vdc @ 2 mA.
OUTPUT SIGNAL	NPN open collector (load 30 mA max).
DIMENSIONS	56H x 108L x 53D mm (2.2 x 4.25 x 2.2").
CABLE	Flow signal 1.8 m (6') or optional 3.7m (12').

FLOW RATE FOR FPB1400					
METER SIZES	Flow Rate H ₂ O		Inlet/Outlet Ports Female NPT	Max Pressure Drop	
	[L/min]	Gal/min		Bar	PSI
FPB1402 / 1412	0.15-18.9	0.04-5	3/8"	1	15
FPB1404 / 1414	0.3-37.6	0.08-10	1/2"	1.4	20
FPB1406 / 1416	0.6-64.4	0.15-17	3/4"	1.4	20
FPB1408 / 1418	1.3-132.5	0.35-35	1"	1.4	20

PADDLE WHEEL MODEL NUMBERS	
POLYPROPYLENE	PVDF
FPB1402	FPB1412
FPB1404	FPB1414
FPB1406	FPB1416
FPB1408	FPB1418

4. PARTS

PARTS LIST			
	PARTS	FPB1400 MATERIALS	FPB1400 MATERIALS
1	LOWER BLOCK	POLYPROPYLENE	PVDF
2	JEWEL BEARING (2 required)	PVDF SAPPHIRE	
3	PADDLE WHEEL	PVDF & NICKEL TUNGSTEN CARBIDE	PVDF & ZIRCONIA CERAMIC
4	LID	ACRYLIC	PVDF
5	SENSOR	NOT WETTED PART	
6	SCREW 8-32 (4 required)	STAINLESS STEEL	
7	O-RING	EPDM	PTFE



5. INSTALLATION

NPT female inlet and outlet port sizes are shown in the table in the flow rate on the preceding page.

It is necessary to include an upstream straight pipe of at least five times the inside diameter of the line.

Installation horizontally or vertically is acceptable.

The magnetic sensor requires 5-24 VDC power (30 mA max. load).

FLOW SENSOR CONNECTION CONFIGURATION:

RED - 5-26 VDC power (+)
BLACK - POWER (-), COMMON
GREEN - SENSOR NPN OPEN COLLECTOR OUTPUT

“pull-up” resistor is necessary for PLC input with current sourcing. Recommended value: 2.2 K Ohm for 24 VDC input.

FPB1400 meters supplied with (four wire) RTD options are connected using the stainless steel temperature sensor adapter supplied.

6. MAINTENANCE

6.1 Sensors

In rare instances, due to electrical damage, the pulse sensor needs to be replaced by unscrewing it and installing a replacement (hand tight).

The RTD /adapter subassembly is replaceable using a wrench.

6.2 Paddle Wheel Disassembly

Bearings are highly susceptible to careless disassembly and reassembly practices. The nickel Tungsten Shaft of the Wheel is supported at each end by sapphire bearings to minimize friction and facilitate very low flow rate measurements.

The Wheel may be uninstalled by holding the Lid in place, and removing the four mounting screws, very carefully to prevent damaging the sapphire Bearings at each end of the Shaft. If the Bearings are shattered, they need to be replaced.

Reassembly is made ensuring that the Shaft ends are inserted gently into the sapphire Bearings. Check to see if the wheel is free to spin before the Lid Bearing is installed. While holding the Lid in place, blow into the meter to verify that the Wheel is free to spin. Finally the Lid is reinstalled using the four mounting screws.



CAUTION: Never use compressed air or gases to test the meter, as this would damage the Bearings.

Notes:

Notes:



WARRANTY/DISCLAIMER

OMEGA ENGINEERING, INC. warrants this unit to be free of defects in materials and workmanship for a period of **13 months** from date of purchase. OMEGA's Warranty adds an additional one (1) month grace period to the normal one **(1) year product warranty** to cover handling and shipping time. This ensures that OMEGA's customers receive maximum coverage on each product.

If the unit malfunctions, it must be returned to the factory for evaluation. OMEGA's Customer Service Department will issue an Authorized Return (AR) number immediately upon phone or written request. Upon examination by OMEGA, if the unit is found to be defective, it will be repaired or replaced at no charge. OMEGA's WARRANTY does not apply to defects resulting from any action of the purchaser, including but not limited to mishandling, improper interfacing, operation outside of design limits, improper repair, or unauthorized modification. This WARRANTY is VOID if the unit shows evidence of having been tampered with or shows evidence of having been damaged as a result of excessive corrosion; or current, heat, moisture or vibration; improper specification; misapplication; misuse or other operating conditions outside of OMEGA's control. Components which wear are not warranted, including but not limited to contact points, fuses, and triacs.

OMEGA is pleased to offer suggestions on the use of its various products. However, OMEGA neither assumes responsibility for any omissions or errors nor assumes liability for any damages that result from the use of its products in accordance with information provided by OMEGA, either verbal or written. OMEGA warrants only that the parts manufactured by it will be as specified and free of defects. OMEGA MAKES NO OTHER WARRANTIES OR REPRESENTATIONS OF ANY KIND WHATSOEVER, EXPRESS OR IMPLIED, EXCEPT THAT OF TITLE, AND ALL IMPLIED WARRANTIES INCLUDING ANY WARRANTY OF MERCHANTABILITY AND FITNESS FOR A PARTICULAR PURPOSE ARE HEREBY DISCLAIMED. LIMITATION OF LIABILITY: The remedies of purchaser set forth herein are exclusive, and the total liability of OMEGA with respect to this order, whether based on contract, warranty, negligence, indemnification, strict liability or otherwise, shall not exceed the purchase price of the component upon which liability is based. In no event shall OMEGA be liable for consequential, incidental or special damages.

CONDITIONS: Equipment sold by OMEGA is not intended to be used, nor shall it be used: (1) as a "Basic Component" under 10 CFR 21 (NRC), used in or with any nuclear installation or activity; or (2) in medical applications or used on humans. Should any Product(s) be used in or with any nuclear installation or activity, medical application, used on humans, or misused in any way, OMEGA assumes no responsibility as set forth in our basic WARRANTY/DISCLAIMER language, and, additionally, purchaser will indemnify OMEGA and hold OMEGA harmless from any liability or damage whatsoever arising out of the use of the Product(s) in such a manner.

RETURN REQUESTS/INQUIRIES

Direct all warranty and repair requests/inquiries to the OMEGA Customer Service Department. BEFORE RETURNING ANY PRODUCT(S) TO OMEGA, PURCHASER MUST OBTAIN AN AUTHORIZED RETURN (AR) NUMBER FROM OMEGA'S CUSTOMER SERVICE DEPARTMENT (IN ORDER TO AVOID PROCESSING DELAYS). The assigned AR number should then be marked on the outside of the return package and on any correspondence.

The purchaser is responsible for shipping charges, freight, insurance and proper packaging to prevent breakage in transit.

FOR **WARRANTY** RETURNS, please have the following information available BEFORE contacting OMEGA:

1. Purchase Order number under which the product was PURCHASED,
2. Model and serial number of the product under warranty, and
3. Repair instructions and/or specific problems relative to the product.

FOR **NON-WARRANTY** REPAIRS, consult OMEGA for current repair charges. Have the following information available BEFORE contacting OMEGA:

1. Purchase Order number to cover the COST of the repair,
2. Model and serial number of the product, and
3. Repair instructions and/or specific problems relative to the product.

OMEGA's policy is to make running changes, not model changes, whenever an improvement is possible. This affords our customers the latest in technology and engineering.

OMEGA is a registered trademark of OMEGA ENGINEERING, INC.

© Copyright 2001 OMEGA ENGINEERING, INC. All rights reserved. This document may not be copied, photocopied, reproduced, translated, or reduced to any electronic medium or machine-readable form, in whole or in part, without the prior written consent of OMEGA ENGINEERING, INC.

Where Do I Find Everything I Need for Process Measurement and Control? **OMEGA...Of Course!**

Shop online at www.omega.com

TEMPERATURE

- Thermocouple, RTD & Thermistor Probes, Connectors, Panels & Assemblies
- Wire: Thermocouple, RTD & Thermistor
- Calibrators & Ice Point References
- Recorders, Controllers & Process Monitors
- Infrared Pyrometers

PRESSURE, STRAIN AND FORCE

- Transducers & Strain Gages
- Load Cells & Pressure Gages
- Displacement Transducers
- Instrumentation & Accessories

FLOW/LEVEL

- Rotameters, Gas Mass Flow Meter & Flow Computers
- Air Velocity Indicators
- Turbine/Paddlewheel Systems
- Totalizers & Batch Controllers

pH/CONDUCTIVITY

- pH Electrodes, Testers & Accessories
- Benchtop/Laboratory Meters
- Controllers, Calibrators, Simulators & Pumps
- Industrial pH & Conductivity Equipment

DATA ACQUISITION

- Data Acquisition & Engineering Software
- Communications-Based Acquisition Systems
- Plug-in Cards for Apple, IBM & Compatibles
- Datalogging Systems
- Recorders, Printers & Plotters

HEATERS

- Heating Cable
- Cartridge & Strip Heaters
- Immersion & Band Heaters
- Flexible Heaters
- Laboratory Heaters

ENVIRONMENTAL MONITORING AND CONTROL

- Metering & Control Instrumentation
- Refractometers
- Pumps & Tubing
- Air, Soil & Water Monitors
- Industrial Water & Wastewater Treatment
- pH, Conductivity & Dissolved Oxygen Instruments