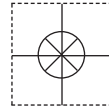


**1 YEAR**  
WARRANTY



# User's Guide



*Shop online at*

**omega.com®**

Ω OMEGA®

*omega.com*

*e-mail: info@omega.com*

*For latest product manuals:*

*omegamanual.info*

**ISO 9001**  
CERTIFIED  
CORPORATE QUALITY

STAMFORD, CT

**ISO 9001**  
CERTIFIED  
CORPORATE QUALITY

MANCHESTER, UK

MADE IN TAIWAN

## **HHF-SD2** **Anemometer-Thermometer with** **Data Logging SD Card**



<b>OMEGAnet® Online Service</b> <b>omega.com</b>	<b>Internet e-mail</b> <b>info@omega.com</b>
---	---

### **Servicing North America:**

**U.S.A.:** ISO 9001 Certified Omega Engineering, Inc., One Omega Drive, P.O. Box 4047  
Stamford, CT 06907-0047 USA  
Toll Free: 1-800-826-6342 TEL: (203) 359-1660  
FAX: (203) 359-7700 e-mail: info@omega.com

**Canada:** 976 Bergar  
Laval (Quebec), H7L 5A1 Canada  
Toll-Free: 1-800-826-6342 TEL: (514) 856-6928  
FAX: (514) 856-6886 e-mail: info@omega.ca

### **For immediate technical or application assistance:**

**U.S.A. and Canada:** Sales Service: 1-800-826-6342/1-800-TC-OMEGA®  
Customer Service: 1-800-622-2378/1-800-622-BEST®  
Engineering Service: 1-800-872-9436/1-800-USA-WHEN®

**Mexico/  
Latin America:** En Español: 001 (203) 359-7803 FAX: 001 (203) 359-7807  
info@omega.com.mx e-mail: espanol@omega.com

### **Servicing Europe:**

**Benelux:** Managed by the United Kingdom Office  
Toll-Free: 0800 099 3344 TEL: +31 20 347 21 21  
FAX: +31 20 643 46 43 e-mail: sales@omegaeng.nl

**Czech Republic:** Frystatska 184  
733 01 Karviná, Czech Republic  
Toll-Free: 0800-1-66342 TEL: +420-59-6311899  
FAX: +420-59-6311114 e-mail: info@omegashop.cz

**France:** Managed by the United Kingdom Office  
Toll-Free: 0800 466 342 TEL: +33 (0) 161 37 29 00  
FAX: +33 (0) 130 57 54 27 e-mail: sales@omega.fr

**Germany/Austria:** Daimlerstrasse 26  
D-75392 Deckenpfronn, Germany  
Toll-Free: 0800 6397678 TEL: +49 (0) 7056 9398-0  
FAX: +49 (0) 7056 9398-29 e-mail: info@omega.de

**United Kingdom:** ISO 9001 Certified OMEGA Engineering Ltd.  
One Omega Drive, River Bend Technology Centre, Northbank  
Irlam, Manchester M44 5BD United Kingdom  
Toll-Free: 0800-488-488 TEL: +44 (0) 161 777-6611  
FAX: +44 (0) 161 777-6622 e-mail: sales@omega.co.uk

---

It is the policy of OMEGA Engineering, Inc. to comply with all worldwide safety and EMC/EMI regulations that apply. OMEGA is constantly pursuing certification of its products to the European New Approach Directives. OMEGA will add the CE mark to every appropriate device upon certification. The information contained in this document is believed to be correct, but OMEGA accepts no liability for any errors it contains, and reserves the right to alter specifications without notice.  
**WARNING:** These products are not designed for use in, and should not be used for, human applications.

**TABLE OF CONTENTS**

Introduction ..... 2  
Key features ..... 2  
Operating instructions ..... 3  
    What’s in the case ..... 3  
    Setup ..... 4  
    Normal operation ..... 6  
    Holding and storing measurements ..... 7  
    Automatic vs. manual data logging ..... 7  
    Transferring data from the SD card to a computer ..... 8  
Specifications ..... 9  
Maintenance & troubleshooting tips ..... 10  
Optional accessories ..... 10

## **INTRODUCTION**

Thank you for purchasing the HHF-SD2 Anemometer-Thermometer with Datalogging SD Card. Please read this user's manual carefully and thoroughly before using the instrument.

The HHF-SD2 is a general-purpose handheld instrument that can make two kinds of measurements:

- Air (wind) speed and temperature (simultaneously)
- Surface temperature, as measured by an optional Type K or Type J thermocouple

The meter comes with a combination air speed-temperature probe. Air speeds can be displayed in m/s (meters/second), fpm (feet per minute), km/h (kilometers/hr), knots (nautical miles per hour), or mph (miles per hour). Temperatures can be displayed in °F (Fahrenheit) or °C (Celsius) units.

Several features and capabilities enhance the instrument's versatility. Among them are automatic temperature compensation for measurements made by the combination probe or Type K or J thermocouples, the ability to hold readings and display maximum and minimum readings, and an automatic power off function that extends battery life.

Because it is microprocessor-based, the HHF-SD2 can make full use of the portability, reliability and large storage capacities that SD memory cards offer. Measurements can be made automatically at any sampling rate between one second and one hour. After storing and time-stamping the measurements on an SD card plugged into the instrument (a process called datalogging), the user can remove the card and plug it into a laptop or desktop computer either directly or via a USB card reader. The data logs are stored on the card as files with the .xls extension, which can be opened by Microsoft's Excel application.

The HHF-SD2 has a backlit 2-1/2 inch diagonal display and is powered by six AA Alkaline batteries or an optional 9-VDC AC adapter.

## **KEY FEATURES**

- Includes combination air speed-temperature probe
- Displays air (wind) speed in meters/second, feet per minute, kilometers/hr, knots (nautical miles per hour), or miles per hour
- Displays temperature in °F or °C
- Big (2.5-inch diagonal) front-panel green backlit LCD is easy to read
- Displays maximum and minimum readings and holds any reading
- Automatically logs measurements at sampling time settable from one second to one hour
- Also supports manual datalogging and changing of SD card storage location
- Outputs Excel-compatible data logs
- Accepts SD memory cards of up to 16 GB capacity
- Auto power off function
- Powered by six AA batteries or optional 9V AC/DC adapter

# OPERATING INSTRUCTIONS

## What's in the case

The HHF-SD2 comes fully assembled in a hard carrying along with a combination air speed-temperature probe a 2 GB SD memory card and this user's manual.

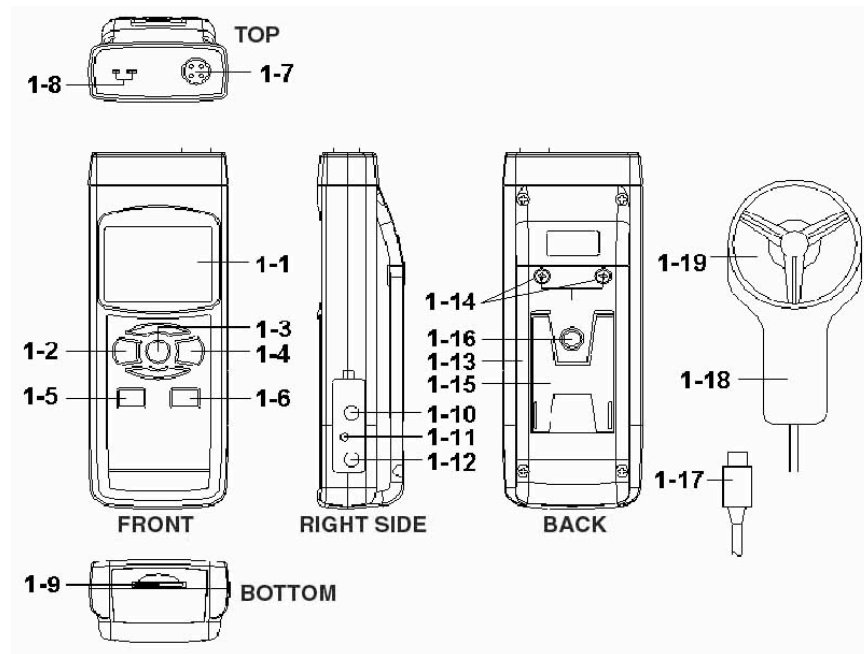
Optional accessories available from Omega include:

- Type K and Type J thermocouples
- A 9VDC adapter for a 110V power supply

See the Optional Accessories section of this manual for more details.

Figure 1 shows all of the controls and indicators on the front, right side, back, top and bottom of the HHF-SD2. It also shows the main components of the included multi-function probe.

Familiarize yourself with the positions and functions of these controls, indicators and connectors before moving on to the setup procedure.



## 1. The HHF-SD2's controls and indicators and other physical features

[CALLOUTS FOR FIGURE 1]

- 1-1 Liquid-crystal display
- 1-2 POWER/ESC button
- 1-3 FUNC./HOLD/NEXT button
- 1-4 REC/ENTER button
- 1-5 SET ▼ button
- 1-6 LOGGER ▲ button
- 1-7 Socket for combination air speed-temperature probe
- 1-8 Socket for optional Type K or J thermocouple
- 1-9 SD card socket

- 1-10 RS-232 output jack
- 1-11 RESET button
- 1-12 Socket for 9VDC AC adapter
- 1-13 Battery compartment cover
- 1-14 Battery compartment cover screws
- 1-15 Kickstand
- 1-16 Tripod attachment nut
- 1-17 Probe plug
- 1-18 Probe handle
- 1-19 Probe head

## Setup

- 1. Choose the power source.** Before using the HHF-SD2, make sure it is powered by fresh batteries or an optional 9VDC AC adapter plugged into the bottom jack on its right side (callout 1-12).

To remove the battery compartment cover (callout 1-13), remove the two screws holding it in place (callout 1-14). Then install six AA batteries in the correct orientation, using the polarity marks on the inside of the compartment as a guide. Replace the cover by replacing the two screws.

- 2. Install an SD card.** To prepare for setup, also install an optional SD memory card of 1 GB to 16 GB capacity in the socket on the bottom of the instrument (callout 1-9). When installing the card, make sure its gold contacts are facing front and push the card into the socket until you hear a click. To remove the card, push it in until you hear a click and the card pops out.

Now power on the instrument by pressing the POWER/ESC button (callout 1-2) to generate a short beep. (To power off the HHF-SD2, press the POWER/ESC button and hold it until the instrument responds with a long beep.)

When the instrument powers on, a series of transient startup screens will briefly appear. Once the display has stabilized, perform the following eight setup steps in the order presented.

- 3. Set the date and time.** Press the SET ▼ button (callout 1-5) and hold it for at least five seconds, until the word “dAtE” appears in the center of the display, along with the flashing value “00.00.00” at the lower left, above “yy.mm.dd”.

Set the current year by pressing the SET ▼ or LOGGER ▲ button repeatedly until the correct value appears above “yy”. Quickly (within three seconds), press the REC/ENTER button to store the setting. The next screen that appears will have the value above “mm” flashing. Use the SET ▼ or LOGGER ▲ button to navigate to the current month and press the REC/ENTER button to store the setting. When the next screen flashes the value above “dd”, again use the SET ▼ or LOGGER ▲ button to navigate to the current day and press the REC/ENTER button to store the setting.

(If you press buttons too slowly in setup mode, the screen will revert to the normal display. To return to the setup sequence, press and hold the SET ▼ button again. To move ahead to the next field in the sequence or to the next parameter, press the FUNC./HOLD/NEXT button.)

Once you have set the date, the display will prompt you to set the hour, minute and second of the current time. Again use the SET ▼ or LOGGER ▲ buttons to navigate to the correct values, and the REC/ENTER button to store the settings.

4. **Choose a decimal point or comma** to represent the decimal division between integers and fractions (for example, American-style 20.88 vs. European-style 20,88). Once you have set the date and time, the display will show the word “bASIC” above the phrase “dEC”. Press the SET ▼ button to make “bASIC” (American style) or “Euro” appear in the upper display, as desired. Press the REC/ENTER button to store the selection as the default.
5. **Enable or disable auto power off.** Once the format of decimal point divisions has been set and stored, the display will show the word “yES” over the term “PoFF”. Press the SET ▼ button until the desired automatic power off management scheme (“yES” for enable; “no” for disable) is displayed. Press the REC/ENTER button to store the selection. If enabled, the power off function shuts off the HHF-SD2 after a period of inactivity of ten minutes.
6. **Enable or disable the beeper.** Once the auto power off function has been enabled or disabled, the display will show the word “yES” over the word “bEEP”. Press the SET ▼ button until the desired setting (“yES” or “no”) is displayed, and then press the REC/ENTER button to store the selection as the default.
7. **Select the thermocouple type.** Once the beep sound has been enabled or disabled, the lower part of the display will show the term “tYPE”. Press the SET ▼ or LOGGER ▲ button until your thermocouple’s type (K or J) appears on the display. Then press the REC/ENTER button to store the selection.
8. **Select the temperature unit.** Once the thermocouple type has been selected and stored, the lower part of the display will show the term “t-CF”. Press the SET ▼ or LOGGER ▲ button until the unit you prefer (“F” for Fahrenheit, “C” for Celsius”) is displayed. Then press the REC/ENTER button to store the selection as the default.
9. **Set the datalogging sampling time.** Once the default temperature unit has been set and stored, the display will show a value above the letters “SP-t”. Press the SET ▼ or LOGGER \_ button to decrease or increase the value until the desired sampling time appears above “SP-t”. The options are 0, 1, 2, 5, 10, 30, 60, 120, 300, 600, 1800 and 3600 seconds (0 seconds to 1 hour).
10. **Format the SD card.** Once the sampling time has been set and stored, the term “Sd-F” will appear in the lower half of the display. Press the REC/ENTER button.

Pressing the REC/ENTER button causes the word “no” or “yES” to appear over the term “Sd-F”. Press the ▼ button to make a selection. Choose “yES” whenever a new SD card is being used, or when a used card is being repurposed (from use with another SD card instrument or a camera, for example) and all data on it is to be erased. Choose “no” to preserve any data on a card previously used with this instrument.

If you choose “yES”, after you press the REC/ENTER button the instrument will prompt you to confirm that decision by displaying the term “Ent” below “yES” and sounding three beeps. To confirm that you want to begin the erasure/formatting procedure, press the REC/ENTER button. “Ent” will then flash several times and the instrument will sound another three beeps to confirm that the SD card has been erased and formatted.

Once the SD card has been set up, the display will then either return to the first of the eight steps in the setup sequence—setting the current date and time—or show the term “ESC”. If “ESC” appears, press the POWER/ESC button to exit the setup procedure and enter normal operating mode.

### Normal operation

1. **To prepare to make measurements**, power on the HHF-SD2 and make sure an SD card is firmly seated in the socket on the bottom of the instrument.

The meter can make and display two kinds of measurements:

- Air speed and temperature (simultaneously)
  - Surface temperature, as measured by an optional Type K or Type J thermocouple
2. **To select the measurement mode**, use the FUNC./HOLD/NEXT button. Pressing the button repeatedly toggles between the two modes. When the FUNC./HOLD/NEXT button is released, the selected mode becomes the default until the button is pressed again.

By default, the HHF-SD2 uses Celsius units for temperature measurements. If you wish to make Fahrenheit units the default, press the SET ▼ button to enter the setup procedure and perform Step 8.

3. **To measure air velocity and temperature simultaneously**, seat the probe plug (callout 1-17 of Fig. 1) in its socket (callout 1-7) on the top of the instrument. Then press the FUNC./HOLD/NEXT button until the display shows the term “Air”. Holding the probe by its handle, turn its head so the anemometer vanes face the flow of air (the yellow dot in the center of the head should face that direction). The upper part of the display will show the air speed while the lower part will show the temperature (as “°F” or “°C”).

**To change the units of air speed**, use the REC/ENTER button (which has the word “Unit” stenciled below it). Repeated presses of the button cycle through the five options for air speed units: m/s (meters/second), fpm (feet per minute), km/h (kilometers/hr), knots (nautical miles per hour), and mph (miles per hour). Release the REC/ENTER button when the unit you wish to use appears, making it the default until changed.

4. **To measure surface temperature using a thermocouple**, make sure the multi-function probe is **not** in its socket. Plug an optional Type K or Type J thermocouple into its dedicated socket (callout 1-8 of Fig. 1). Then press the FUNC./HOLD/NEXT button until the display shows the term “tP”.

Touch the wire end of the thermocouple to the surface whose temperature you wish to measure. The display will show its temperature (as “°F” or “°C”).



By default, the HHF-SD2 is configured for a Type K thermocouple. To use a Type J thermocouple, press the SET\_ button to enter the setup procedure and perform Step 7.

Whenever the instrument is operating in measurement mode, you can turn off the backlight (which is on by default) by briefly pressing (but not holding) the POWER/ESC button. To reactivate the backlight, briefly press the button again.

Whenever the HHF-SD2 is in either measurement mode, you also can check the current date and time by briefly pressing the SET\_ button (which has the words “Time check” stenciled below it). Doing so causes both values to appear briefly at the lower left of the display.

### **Holding and storing measurements**

5. **To hold a measured value**, press the FUNC./HOLD/NEXT button during the measurement. Doing so will cause the word “HOLD” to appear at the top of the display. Pressing the FUNC./HOLD/NEXT button again releases the hold.
6. **To record and recall readings**, press the REC/ENTER button while making measurements. This will make the term “REC” appear at the top of the display. Pressing the REC/ENTER button again, briefly, will make the term “MAX” appear to the right of “REC” and switch the display to the maximum value stored in memory during the last recording session. Pressing the REC/ENTER button again, briefly, will make the term “MIN” appear to the right of “REC” and switch the display to the minimum value stored during the last session.
7. **To exit recording mode**, press the REC/ENTER button and hold it for at least three seconds, until the term “REC” disappears from the top line of the display. The display will then revert to showing the current reading.

### **Automatic vs. manual datalogging**

The HHF-SD2 can automatically log data at a user-selected sampling period from 1 second to 3,600 seconds (one hour). To view the sampling time that the instrument has been set up to use, press the LOGGER ▲ button (which has the words “Sampling check” stenciled below it) once. To change the sampling time, perform Step 9 of the setup procedure.

8. **To start automatic datalogging**, press the REC/ENTER button once. The top line of the display will then show the term “REC”. Pressing the LOGGER ▲ button at this point will make REC flash and add the flashing term “LOGGER” at the top right of the display. This indicates that the instrument is currently storing measured values and their time stamps in memory.
9. **To pause automatic datalogging**, press the LOGGER ▲ button once; this action makes the flashing term “LOGGER” disappear from the top right of the display and changes the term “REC” from flashing to constant. Pressing the LOGGER ▲ button again resumes automatic datalogging.
10. **To end automatic datalogging**, press the REC/ENTER button and hold it for at least two seconds. This action causes the “REC” message to disappear.

- To log data manually**, set the sampling time to zero using the procedure detailed earlier. Then press the REC/ENTER button once. The display will show the term “REC” on the top line, a value in the middle, and below it the letter “P” on the left and a number from 1 to 99 on the same line to the right. The number indicates the position on the SD card that will be used to store manually logged data.

Now press the LOGGER ▲ button. This will cause the beeper to sound and the term “LOGGER” to briefly appear at the upper right of the display. As in automatic datalogging mode, in this mode the instrument is storing measurements and their time stamps on the SD card.

In manual datalogging mode, however, measurements are being stored continuously (with a sampling time of zero), and their locations on the card can be changed.

- To change the storage location of manually logged data**, press the SET ▼ button once; this causes the “P” to disappear from the left side of the display and the value on its line to begin flashing. Once the flashing begins, you can use the SET ▼ and LOGGER ▲ buttons to change the flashing value to any number between 1 and 99. Once you have chosen the storage location, press the REC/ENTER button to save the setting. This causes the value to stop flashing and the “P” to return.
- To end manual datalogging**, press the REC/ENTER button and hold it for at least three seconds. This action causes the “REC” message to disappear from the top line of the display.

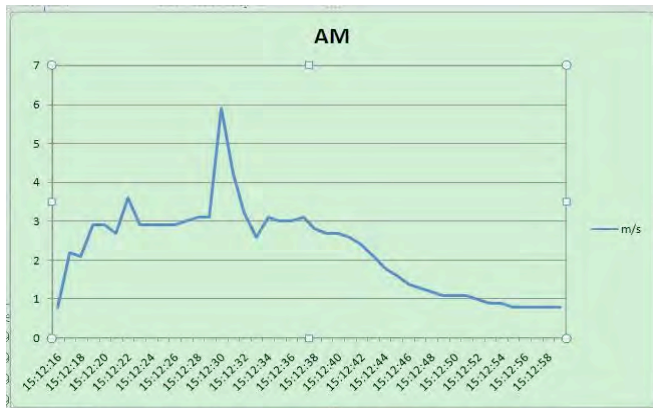
### Transferring data from the SD card to a computer

After automatic or manual datalogging of measurements, remove the SD card from the instrument and plug it into your computer either directly (if it has an SD card slot) or through an SD card reader.

Because the files containing time-stamped data logs have the file extension .xls, they open in Microsoft’s Excel application. Figures 2 and 3 show two kinds of Excel presentations: a data-only screen and a graphics-only screen.

Place	Date	Time	Value	Unit	Value	Unit
1	2009/6/8	15:12:16	0.8	m/s	28.8	AMTemp C
2	2009/6/8	15:12:17	2.2	m/s	28.8	AMTemp C
3	2009/6/8	15:12:18	2.1	m/s	28.8	AMTemp C
4	2009/6/8	15:12:19	2.9	m/s	28.9	AMTemp C
5	2009/6/8	15:12:20	2.9	m/s	28.8	AMTemp C
6	2009/6/8	15:12:21	2.7	m/s	28.8	AMTemp C
7	2009/6/8	15:12:22	3.6	m/s	28.8	AMTemp C
8	2009/6/8	15:12:23	2.9	m/s	28.8	AMTemp C
9	2009/6/8	15:12:24	2.9	m/s	28.8	AMTemp C
10	2009/6/8	15:12:25	2.9	m/s	28.8	AMTemp C
11	2009/6/8	15:12:26	2.9	m/s	28.9	AMTemp C
12	2009/6/8	15:12:27	3	m/s	28.8	AMTemp C
13	2009/6/8	15:12:28	3.1	m/s	28.8	AMTemp C
14	2009/6/8	15:12:29	3.1	m/s	28.7	AMTemp C
15	2009/6/8	15:12:30	5.9	m/s	29.1	AMTemp C
16	2009/6/8	15:12:31	4.2	m/s	29	AMTemp C
17	2009/6/8	15:12:32	3.2	m/s	28.9	AMTemp C
18	2009/6/8	15:12:33	2.6	m/s	28.6	AMTemp C
19	2009/6/8	15:12:34	3.1	m/s	28.7	AMTemp C
20	2009/6/8	15:12:35	3	m/s	28.7	AMTemp C
21	2009/6/8	15:12:36	3	m/s	28.9	AMTemp C
22	2009/6/8	15:12:37	3.1	m/s	28.9	AMTemp C
23	2009/6/8	15:12:38	2.8	m/s	28.9	AMTemp C

2. Typical Excel data-only screen



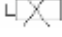
### 3. Typical Excel graphics-only screen

## SPECIFICATIONS

Embedded microcontroller	Custom one-chip LSI device
Display type	Liquid-crystal with green backlight
Display size	2.05 x 1.5 inches (52 x 38 mm)
Parameters measured	Air speed, temperature
Measurement range	For temperature, 32 to 122°F (0 to 50°C); for air speed: 0.4 to 30 m/sec, 1.4 to 126 km/hr, 0.9 to 78.3 mph, 0.8 to 68 knots, 79 to 6890 ft/min
Measurement accuracy	For air speed: $\pm (2\% + 0.2 \text{ m/sec})$ , $\pm (2\% + 0.8 \text{ km/hr})$ , $\pm (2\% + \text{mph})$ , $\pm (2\% + 0.4 \text{ knots})$ , $\pm (2\% + 40 \text{ ft/min})$ ; for temperature: $\pm 1.5^\circ\text{F}$ ( $\pm 0.8^\circ\text{C}$ )
0.4	
Measurement resolution	For air speed: 0.1 ms, 0.1 km/hr, 0.1 mph, 0.1 knots, 1.0 ft/min; for temperature, 0.1 °F or C
Sampling time options	0, 1, 2, 5, 10, 30, 60, 120, 300, 600, 1800 or 3600 seconds (0 seconds to 1 hour)
Settable parameters	Date, time, auto power off, beep sound, sampling time, decimal point or comma decimal division, temperature unit, air speed unit, optional thermocouple type (K or J)
Storable/recallable readings	Maximum, minimum
SD card capacity	1 GB to 16 GB
Operating temperature	32 to 122°F (0 to 50°C)
Operating relative humidity	0 to 85%
Power supply	Six Alkaline AA batteries or optional 9-VDC AC adapter
Power consumption	15 mADC (normal operation, with backlight off and SD card not saving data); 36 mADC with backlight on and card saving data; 48 mADC with backlight on and card saving data
Dimensions of instrument	7.99 x 2.99 x 1.50 inches (203 x 76 x 38 mm)
Weight of instrument	1.13 lb (515 g)
Diameter of probe head	2.83 inches (72 mm)

## MAINTENANCE & TROUBLESHOOTING TIPS

Keep the combination probe clean. Store it in the carrying case when you are not using the instrument.

When the icon  appears in the left corner of the display, it's time to replace the six AA batteries that power the instrument (although measurements will remain valid for several hours after the low-battery indicator first appears). Replacing the batteries requires removing the two screws that hold the battery compartment cover in place, as explained earlier. After inserting fresh batteries in the correct orientation, tighten the screws to secure the cover.

If the meter “freezes” (like a computer) and buttons become unresponsive, try resetting the instrument by pushing the RESET button on its right side (callout 1-11 of Fig. 1) with the end of a paper clip.

Remove the batteries when storing the meter for an extended period of time.

Do not drop or disassemble the meter or immerse it in water.

## OPTIONAL ACCESSORIES

Optional accessories available from Omega include:

- Type K and Type J thermocouples (Visit [omega.com](http://omega.com) for details)
- 9VDC adapter for a 110V power supply (Adapter R-RD)

**NOTES:**

**NOTES:**

## WARRANTY/DISCLAIMER

OMEGA ENGINEERING, INC. warrants this unit to be free of defects in materials and workmanship for a period of **13 months** from date of purchase. OMEGA's WARRANTY adds an additional one (1) month grace period to the normal **one (1) year product warranty** to cover handling and shipping time. This ensures that OMEGA's customers receive maximum coverage on each product.

If the unit malfunctions, it must be returned to the factory for evaluation. OMEGA's Customer Service Department will issue an Authorized Return (AR) number immediately upon phone or written request. Upon examination by OMEGA, if the unit is found to be defective, it will be repaired or replaced at no charge. OMEGA's WARRANTY does not apply to defects resulting from any action of the purchaser, including but not limited to mishandling, improper interfacing, operation outside of design limits, improper repair, or unauthorized modification. This WARRANTY is VOID if the unit shows evidence of having been tampered with or shows evidence of having been damaged as a result of excessive corrosion; or current, heat, moisture or vibration; improper specification; misapplication; misuse or other operating conditions outside of OMEGA's control. Components in which wear is not warranted, include but are not limited to contact points, fuses, and triacs.

**OMEGA is pleased to offer suggestions on the use of its various products. However, OMEGA neither assumes responsibility for any omissions or errors nor assumes liability for any damages that result from the use of its products in accordance with information provided by OMEGA, either verbal or written. OMEGA warrants only that the parts manufactured by the company will be as specified and free of defects. OMEGA MAKES NO OTHER WARRANTIES OR REPRESENTATIONS OF ANY KIND WHATSOEVER, EXPRESSED OR IMPLIED, EXCEPT THAT OF TITLE, AND ALL IMPLIED WARRANTIES INCLUDING ANY WARRANTY OF MERCHANTABILITY AND FITNESS FOR A PARTICULAR PURPOSE ARE HEREBY DISCLAIMED. LIMITATION OF LIABILITY: The remedies of purchaser set forth herein are exclusive, and the total liability of OMEGA with respect to this order, whether based on contract, warranty, negligence, indemnification, strict liability or otherwise, shall not exceed the purchase price of the component upon which liability is based. In no event shall OMEGA be liable for consequential, incidental or special damages.**

CONDITIONS: Equipment sold by OMEGA is not intended to be used, nor shall it be used: (1) as a "Basic Component" under 10 CFR 21 (NRC), used in or with any nuclear installation or activity; or (2) in medical applications or used on humans. Should any Product(s) be used in or with any nuclear installation or activity, medical application, used on humans, or misused in any way, OMEGA assumes no responsibility as set forth in our basic WARRANTY/DISCLAIMER language, and, additionally, purchaser will indemnify OMEGA and hold OMEGA harmless from any liability or damage whatsoever arising out of the use of the Product(s) in such a manner.

## RETURN REQUESTS/INQUIRIES

Direct all warranty and repair requests/inquiries to the OMEGA Customer Service Department. BEFORE RETURNING ANY PRODUCT(S) TO OMEGA, PURCHASER MUST OBTAIN AN AUTHORIZED RETURN (AR) NUMBER FROM OMEGA'S CUSTOMER SERVICE DEPARTMENT (IN ORDER TO AVOID PROCESSING DELAYS). The assigned AR number should then be marked on the outside of the return package and on any correspondence.

The purchaser is responsible for shipping charges, freight, insurance and proper packaging to prevent breakage in transit.

FOR **WARRANTY** RETURNS, please have the following information available BEFORE contacting OMEGA:

1. Purchase Order number under which the product was PURCHASED,
2. Model and serial number of the product under warranty, and
3. Repair instructions and/or specific problems relative to the product.

FOR **NON-WARRANTY** REPAIRS, consult OMEGA for current repair charges. Have the following information available BEFORE contacting OMEGA:

1. Purchase Order number to cover the COST of the repair,
2. Model and serial number of the product, and
3. Repair instructions and/or specific problems relative to the product.

OMEGA's policy is to make running changes, not model changes, whenever an improvement is possible. This affords our customers the latest in technology and engineering.

OMEGA is a registered trademark of OMEGA ENGINEERING, INC.

© Copyright 2011 OMEGA ENGINEERING, INC. All rights reserved. This document may not be copied, photocopied, reproduced, translated, or reduced to any electronic medium or machine-readable form, in whole or in part, without the prior written consent of OMEGA ENGINEERING, INC.

# Where Do I Find Everything I Need for Process Measurement and Control? **OMEGA...Of Course!** *Shop online at [omega.com](http://omega.com)<sup>SM</sup>*

## **TEMPERATURE**

- ☑ Thermocouple, RTD & Thermistor Probes, Connectors, Panels & Assemblies
- ☑ Wire: Thermocouple, RTD & Thermistor
- ☑ Calibrators & Ice Point References
- ☑ Recorders, Controllers & Process Monitors
- ☑ Infrared Pyrometers

## **PRESSURE, STRAIN AND FORCE**

- ☑ Transducers & Strain Gages
- ☑ Load Cells & Pressure Gages
- ☑ Displacement Transducers
- ☑ Instrumentation & Accessories

## **FLOW/LEVEL**

- ☑ Rotameters, Gas Mass Flowmeters & Flow Computers
- ☑ Air Velocity Indicators
- ☑ Turbine/Paddlewheel Systems
- ☑ Totalizers & Batch Controllers

## **pH/CONDUCTIVITY**

- ☑ pH Electrodes, Testers & Accessories
- ☑ Benchtop/Laboratory Meters
- ☑ Controllers, Calibrators, Simulators & Pumps
- ☑ Industrial pH & Conductivity Equipment

## **DATA ACQUISITION**

- ☑ Data Acquisition & Engineering Software
- ☑ Communications-Based Acquisition Systems
- ☑ Plug-in Cards for Apple, IBM & Compatibles
- ☑ Data Logging Systems
- ☑ Recorders, Printers & Plotters

## **HEATERS**

- ☑ Heating Cable
- ☑ Cartridge & Strip Heaters
- ☑ Immersion & Band Heaters
- ☑ Flexible Heaters
- ☑ Laboratory Heaters

## **ENVIRONMENTAL MONITORING AND CONTROL**

- ☑ Metering & Control Instrumentation
- ☑ Refractometers
- ☑ Pumps & Tubing
- ☑ Air, Soil & Water Monitors
- ☑ Industrial Water & Wastewater Treatment
- ☑ pH, Conductivity & Dissolved Oxygen Instruments