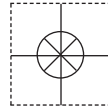


**1 YEAR**  
WARRANTY

MADE IN  
**USA**



# User's Guide



*Shop online at*

**omega.com<sup>®</sup>**

Ω OMEGA<sup>®</sup>

*omega.com*

*e-mail: info@omega.com*

*For latest product manuals:  
omegamanual.info*

**ISO 9001**  
CERTIFIED  
CORPORATE QUALITY

STAMFORD, CT

**ISO 9001**  
CERTIFIED  
CORPORATE QUALITY

MANCHESTER, UK

# UWRD-S-2 Wireless RTD Transmitter



<b>OMEGAnet® Online Service</b> <b>omega.com</b>	<b>Internet e-mail</b> <b>info@omega.com</b>
---	---

### **Servicing North America:**

**U.S.A.:** ISO 9001 Certified Omega Engineering, Inc., One Omega Drive, P.O. Box 4047  
Stamford, CT 06907-0047 USA  
Toll Free: 1-800-826-6342 TEL: (203) 359-1660  
FAX: (203) 359-7700 e-mail: info@omega.com

**Canada:** 976 Bergar  
Laval (Quebec), Canada H7L 5A1  
Toll-Free: 1-800-826-6342 TEL: (514) 856-6928  
FAX: (514) 856-6886 e-mail: info@omega.ca

### **For immediate technical or application assistance:**

**U.S.A. and Canada:** Sales Service: 1-800-826-6342/1-800-TC-OMEGA®  
Customer Service: 1-800-622-2378/1-800-622-BEST®  
Engineering Service: 1-800-872-9436/1-800-USA-WHEN®

**Mexico:** En Español: 001 (203) 359-7803 FAX: (001) 203-359-7807  
info@omega.com.mx e-mail: espanol@omega.com

### **Servicing Europe:**

**Benelux:** Managed by the United Kingdom Office  
Toll-Free: 0800 099 3344 TEL: +31 20 347 21 21  
FAX: +31 20 643 46 43 e-mail: sales@omega.nl

**Czech Republic:** Frystatska 184  
733 01 Karviná, Czech Republic  
Toll-Free: 0800-1-66342 TEL: +420-59-6311899  
FAX: +420-59-6311114 e-mail: info@omegashop.cz

**France:** Managed by the United Kingdom Office  
Toll-Free: 0800 466 342 TEL: +33 (0) 161 37 29 00  
FAX: +33 (0) 130 57 54 27 e-mail: sales@omega.fr

**Germany/Austria:** Daimlerstrasse 26  
D-75392 Deckenpfronn, Germany  
Toll-Free: 0 800 6397678 TEL: +49 (0) 7059 9398-0  
FAX: +49 (0) 7056 9398-29 e-mail: info@omega.de

**United Kingdom:** ISO 9001 Certified OMEGA Engineering Ltd.  
One Omega Drive, River Bend Technology Centre, Northbank  
Irlam, Manchester M44 5BD England  
Toll-Free: 0800-488-488 TEL: +44 (0)161 777-6611  
FAX: +44 (0)161 777-6622 e-mail: sales@omega.co.uk

---

It is the policy of OMEGA Engineering, Inc. to comply with all worldwide safety and EMC/EMI regulations that apply. OMEGA is constantly pursuing certification of its products to the European New Approach Directives. OMEGA will add the CE mark to every appropriate device upon certification. The information contained in this document is believed to be correct, but OMEGA accepts no liability for any errors it contains, and reserves the right to alter specifications without notice.  
**WARNING:** These products are not designed for use in, and should not be used for, human applications.



**Table of Contents**

<b>Section</b>	<b>Page</b>
<b>Section 1 Introduction .....</b>	<b>1-1</b>
1.1 Precautions .....	1-1
1.2 Statement on FCC and CE .....	1-2
1.3 General Description and System Components .....	1-2
<b>Section 2 Hardware .....</b>	<b>2-1</b>
2.1 Unpacking and Inspection .....	2-1
2.2 Included Items .....	2-1
<b>Section 3 Operation .....</b>	<b>3-1</b>
3.1 Keypad Operation .....	3-1
<b>Section 4 Software .....</b>	<b>4-1</b>
4.1 Getting Started .....	4-1
4.2 Software Installation .....	4-1
<b>Section 5 End Device Operation .....</b>	<b>5-1</b>
5.1 Setup and Configuration .....	5-1
5.2 Mounting Installation .....	5-7
5.3 Battery Replacement .....	5-9
<b>Section 6 System Operation .....</b>	<b>6-1</b>
6.1 Introduction .....	6-1
6.2 RF Communication Basics .....	6-1
6.3 Basic System Overview .....	6-1
6.4 Environment/Operating Conditions .....	6-2
6.5 Transmit Rate vs. Battery Life .....	6-3
<b>Section 7 Service and Calibration .....</b>	<b>7-1</b>
7.1 Service and Calibration .....	7-1
<b>Section 8 Specifications .....</b>	<b>8-1</b>
<b>Section 9 Approvals, Regulatory Compliance .....</b>	<b>9-1</b>



**List of Figures**

<b>Section</b>	<b>Figure</b>	<b>Description .....</b>	<b>Page</b>
Section 3.1	1A	Keypad Operation .....	3-1
Section 3.2	1B	RTD Wiring Detail .....	3-1
Section 4.2.2	2	Software - Welcome .....	4-1
Section 4.2.2	3	Software - Select Installation .....	4-2
Section 4.2.2	4	Software - Confirm Installation .....	4-2
Section 4.2.2	5	Software – License Agreement .....	4-3
Section 4.2.2	6	Software – Installation Complete .....	4-3
Section 5.1	7A	USB Connection .....	5-1
Section 5.1	7B	USB Cable .....	5-2
Section 5.1.4	8	Keypad Operations .....	5-3
Section 5.1.4	9	Launch Setup Utility .....	5-3
Section 5.1.4	10	Utility Program - Welcome .....	5-4
Section 5.1.4	11	Utility Program – Connect To Transmitter .....	5-4
Section 5.1.4	12	Utility Program – Setup Transmitter .....	5-5
Section 5.1.4	13	Utility Program – Establish Link .....	5-5
Section 5.1.4	14	Utility Program – Choose Options .....	5-6
Section 5.1.4	15	Utility Program – Send Setting To Transmitter.....	5-6
Section 5.2.1	16	Mounting and Reference Dimensions.....	5-7
Section 5.2.1	17	Fresnel Zone .....	5-7
Section 5.3	18A	Battery Replacement .....	5-9
Section 5.3	18B	Battery Replacement .....	5-9
Section 5.3.2	19	Fresnel Zone .....	5-10
Section 6.3	20	End Device/Receiver .....	6-1

---

## Section 1 - Introduction

Please read this manual completely before installing and operating your wireless end device and receiver system. It's important read and follow all notes, cautions, warnings and safety precautions before operating this device. "Device" refers to your transmitter or receiver unit.

### 1.1 Precautions

- This device is not designed for use in any medical or nuclear applications.
- Do not operate this device in flammable or explosive environments.
- Never operate with a power source other than the one recommended in this manual.
- This device has been designed for dry, moisture free indoor applications only.
- Do not operate this device outside of the recommended use outlined in this manual.
- No co-location with other radio transmitters is allowed. By definition, co-location is when another radio device or it's antenna is located within 20 cm of your connector/transmitter and can transmit simultaneously with your unit.
- Never install wireless transmitters within 20 cm or less from each other.
- Never install and/or operate your transmitter closer than 20 cm to nearby persons.
- Never use your transmitter as a portable device. Your unit has been designed to be operated in a permanent installation only.

---

**NOTE:**

There are no user serviceable parts inside your device. Attempting to repair or service your unit may void your warranty:

---

## **1.2 Statement on FCC and CE Marking**

### **1.2.1 FCC Marking**

FCC ID: OUR-XBEEPRO IC #4214A-EXBEEPRO

This device complies with Part 15 of the FCC rules. Operation is subject to the following two conditions: 1.) This device may not cause harmful interference. 2.) This device must accept any interference received, including interference that may cause undesired operation.

### **1.2.2 CE Marking**

It is the policy of OMEGA to comply with all worldwide safety and EMI/EMC regulations that apply. OMEGA is constantly pursuing certification of its products to the European New Approach Directives. OMEGA will add the CE mark to every appropriate device upon certification.

## **1.3 General Description & System Components**

### **1.3.1 General Description**

Model UWRTD-S-2 Wireless RTD transmitter features a stand-alone, compact, battery powered NEMA design that transmits measurements back to a host receiver up to 90 m (300') away. When activated the wireless transmitter will transmit readings continuously at pre set time interval that was programmed by the user during the initial setup. Each unit measures and transmits: Process Temperature Reading, Ambient Temperature, RF Signal Strength and Battery Condition to the receiver and is displayed on your PC screen in real time using the provided software.

---

## Section 2 – Hardware

It is important that you read this manual completely and follow all safety precautions before operating this instrument.

### 2.1 Package Inspection

Remove the packing list and verify that you have received all your equipment. If you have any questions about the shipment, please call our Customer Service Department at 1-800-622-2378 or 203-359-1660. We can also be reached on the Internet at [omega.com](http://omega.com), e-mail: [cservice@omega.com](mailto:cservice@omega.com)

When you receive the shipment, inspect the container and equipment for any signs of damage. Note any evidence of rough handling in transit. Immediately report any damage to the shipping agent.

---

**NOTE:**

---

**The carrier will not honor any damage claims unless all shipping material is saved for inspection. After examining and removing contents, save packing material and carton in the event reshipment is necessary.**

---

### 2.2 Included Items

The following items are supplied in the box.

- 1 UWRTD-S-2 Transmitter
- 1 User's Guide
- Battery Pack, 2 AA, 1.5V Lithium (Omega Part # MN1500-L)

## Section 3 – Operation

### 3.1 Keypad Operation

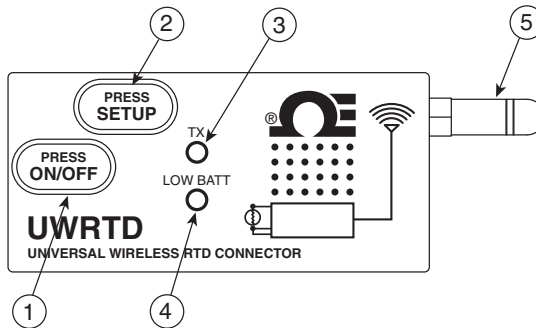


Figure 1A. Keypad Operation

- (1) "ON/OFF" Button (2) "SETUP" Button (3) Transmit Indicator  
 (4) Low Battery Indicator (5) Antenna

### 3.2 Sensor Connection

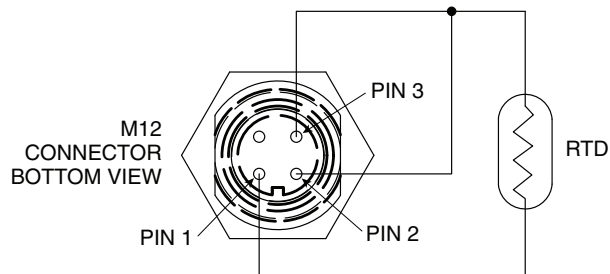


Figure 1B. RTD Wiring Detail



## Section 4 – Software

### 4.1 Getting Started

The following program files are included on the TC-Central User Software CD supplied with your Receiver. These files can also be downloaded from the [omega.com](http://omega.com) website should you misplace your CD.

- End Device Setup Utility Software
- Receiver/Transceiver Setup Utility Software
- TC-Central Measurement and Data Logging Software

### 4.2 Software Installation

#### 4.2.1 System Requirements

Your PC should meet the following minimum requirements:

- Pentium Class processor
- Hard Drive Space: 210 meg
- Ram: 256 meg or higher
- 1 Available USB Port
- 1 CD-ROM Drive
- Windows 2000, XB, or Vista (32bit) Operating System

#### 4.2.2 Software Installation

Insert the TC-Central User CD that was included with your receiver unit into the CD-ROM drive on your PC. Your system should begin the installation process automatically.

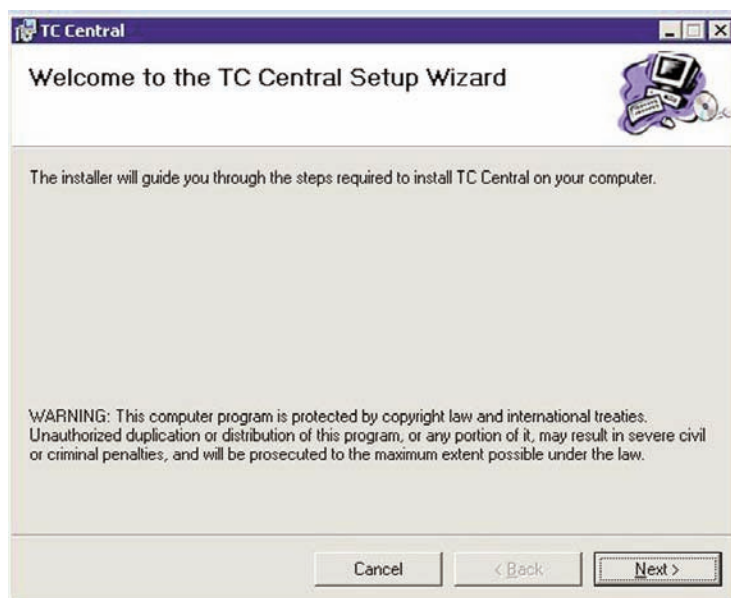


Figure 2. Software - Welcome Screen

This welcome screen should be visible on your computer screen. To continue with installing the program, click the “Next >” button.

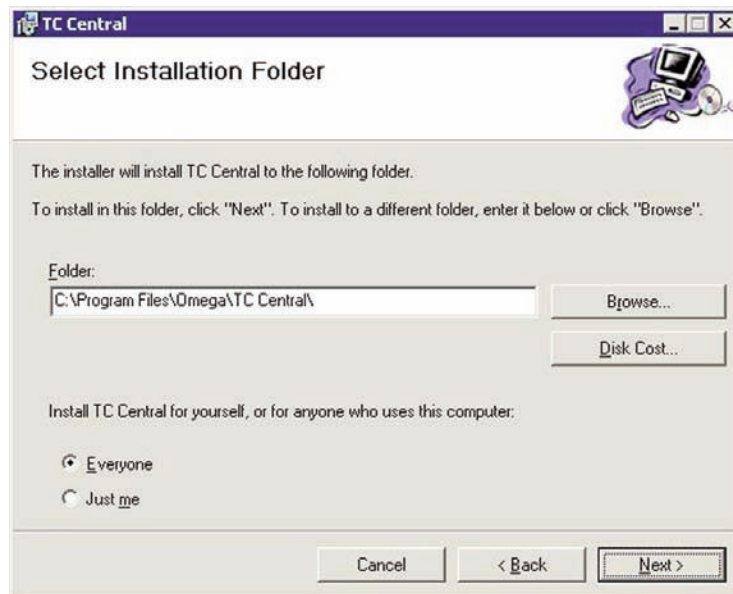


Figure 3. Software - Select Installation Screen

From this screen you select the folder where you want the program files installed on your PC. The default setting will install the software under your “Program” folders in a new folder named “Omega” To continue with installing the program click the “Next >” button.

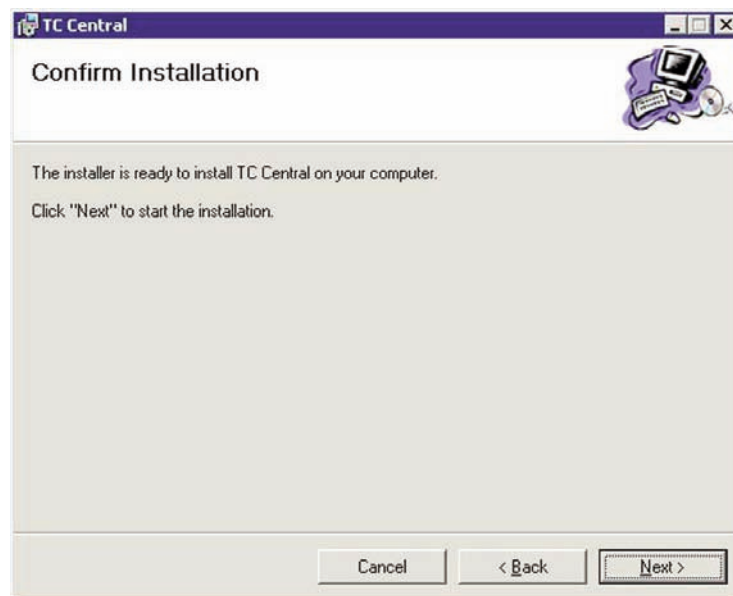


Figure 4. Software - Confirm Installation Screen

The setup wizard now has all the information to complete the installation of the software on your PC. To continue with installing the program click the “Next >” button.



Figure 5. Software - License Agreement Screen

From this screen you must select "Agree" to continue installing your program. After making your selection click the "Next >" button. The setup wizard will now install the software.

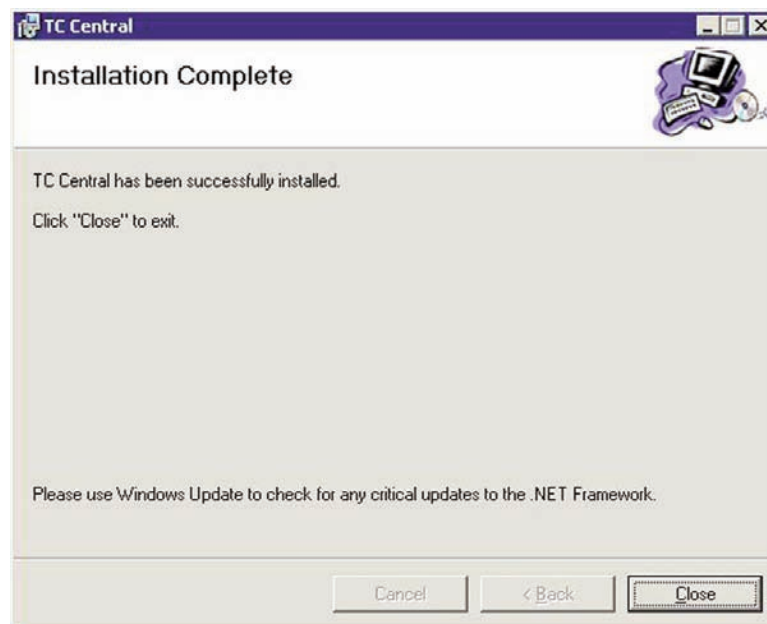


Figure 6. Software - Installation Complete Screen

Congratulations! You have just successfully installed the TC-Central Program on your PC. To end installing the program and close the setup wizard click the "Close" Button.

## Section 5 - End Device Operation

### 5.1 Setup and Configuration

#### 5.1.1 Connecting your device

Connect the USB cable to your connector/transmitter unit and also to an available USB port on your computer. See figure below. This cable was provided in the box with your receiver unit. This same cable is used for programming your End Device and for receiver operation later.

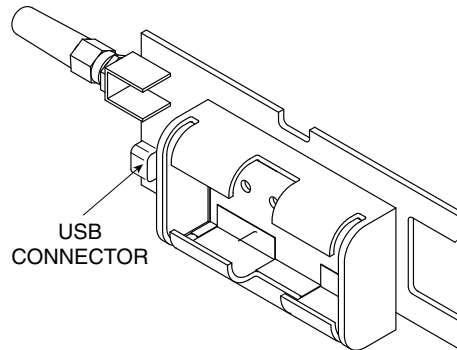


Figure 7A. USB Connection



Figure 7B. USB Cable

#### 5.1.2 Configure Your End Device

Now that you have connected your USB cable to your PC and transmitter you will complete the following steps to configure your End Device before placing the unit into operation. You will be using the configuration software utility that you installed onto your PC in Section 4. If you have not installed the configuration software utility you should do so now. During this procedure you will be setting the following parameters in your transmitter.

#### 5.1.3 Button Operation

##### (1.) "PRESS ON/OFF"

The "PRESS ON/OFF" button on the front of your connector/transmitter is used to turn your unit "ON" or "OFF"

##### (2.) "PRESS SETUP"

The "PRESS SETUP" button on the front of your connector/transmitter is only

#### 5.1.4 Indicator Lights

##### (1) Transmit (TX) Green Indicator Light

The green indicator light marked "TX" on the front of the connector/transmitter will blink every time the unit sends data to the receiving unit. Example; If you selected a 5 sec sample rate the green TX led will blink one time every 5 seconds.

##### (2) Low Battery (Low Bat) Red Indicator Light

The red indicator light marked "Low Bat" on the front of the connector/transmitter will turn on when the battery reaches a level at or below the power level required for normal operation. When this indicator turns on it's time to install a fresh battery in your unit. For procedures on how to change your battery see Section 5.3.

## Channel Number

This sets a unique address number into your transmitter. Later, when you set up your measurement software you will again set channel numbers to receive readings from the corresponding unit(s). Each unit must be set for a different channel number for your system to operate correctly.

---

**NOTE:**

---

If you will be using more than one receiver unit in your area it is important to set the transmitter address numbers to be a corresponding number in your TC-Central software.

**Example**

For the first receiver: Set the channels on your transmitters to 101, 102, 103, 104, etc. Then set the channels in your TC-Central user software to match.

For the second receiver: Set the channels on your transmitters to 201, 202, 203, 204, etc.

Then set the channels in your TC-Central user software to match.

This numbering scheme can be expanded to match the number of receivers you are using.

---

## Sample Rate

This will program your End Device to transmit 1 data reading to your receiver at a specified time interval. Available settings are 2, 3, 5, 15, 30, 45, 60, 75, or 90 seconds

---

**NOTE:**

---

The sample rate you set will have the most direct effect on the life of the battery in your End Device. It is recommended that you set the longest sample time that your application can live with to end time between battery replacement. See Section 6 for more information on battery

---

### STEP 1. Enter the "SETUP" mode.

To place your transmitter into the "SETUP" mode for programming follow this procedure.

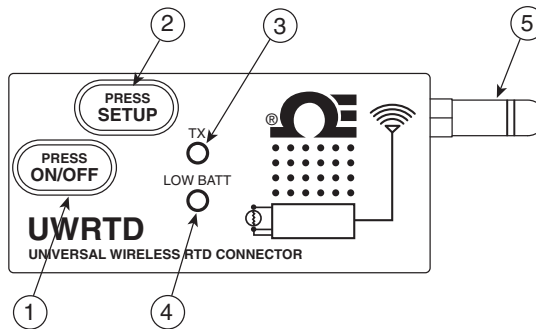


Figure 8. Keypad Operation

Press and hold the "ON/OFF" button. While the "ON/OFF" button is being held, press the "SETUP" button one time and then release the "ON/OFF" button. The green (TX) indicator on the front of your device should be blinking at a steady rate. This indicates your End Device is ready to run the configuration utility software.

### STEP 2. Launch Setup Utility Program.

To launch the End Device setup utility program on your PC begin by accessing the "Programs" list under your "Start Menu".

Scroll through the list of to find the Omega "TC-Central" folder, then select the End Device Configuration Program.

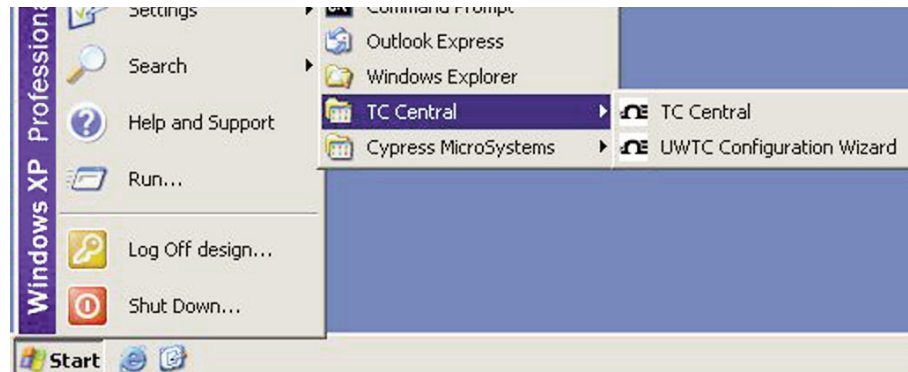


Figure 9. Launch Setup Utility

### STEP 3. Programming your settings into your End Device



Figure 10. Utility Program - Welcome Screen

After starting the setup utility program this will be the first screen you will see. Click the "Next >" button to proceed and continue setting up your End Device. Each screen will provide instruction details on how to proceed.

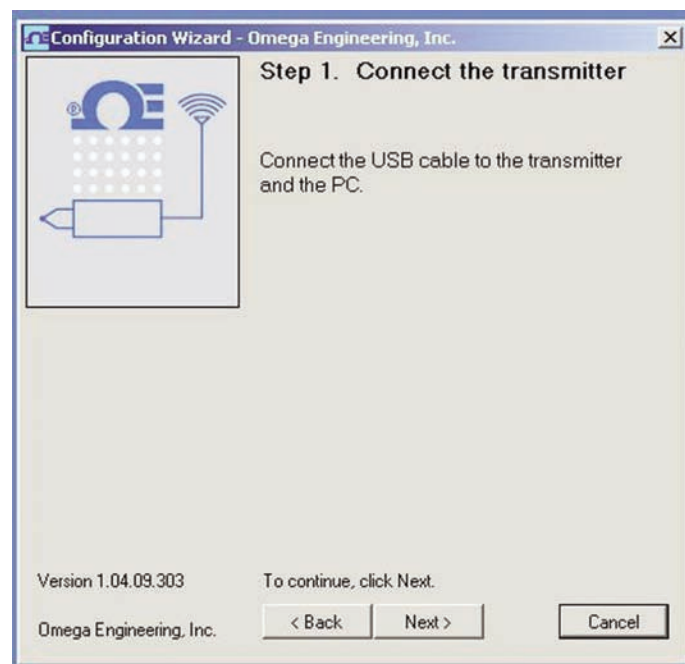


Figure 11. Utility Program - Connect To Transmitter Screen

If you have not already connected your End Device to a USB port on your PC you must do this now before continuing. After your unit has been connected click the "Next >" button to proceed and continue setting up your unit.

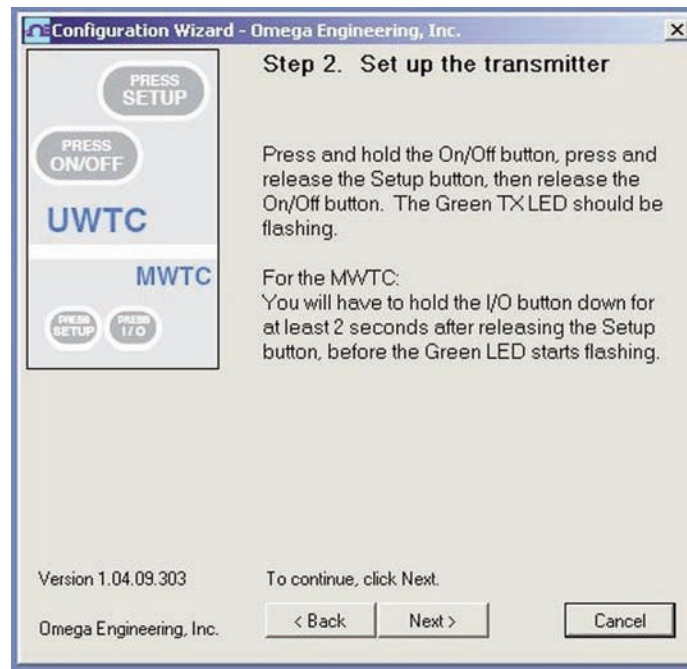


Figure 12. Utility Program - Setup Transmitter Screen

If you have not already placed your End Device into the "Setup" mode you should do this now before continuing. After your unit has been placed into the "Setup" mode click the "Next >" button to proceed and continue setting up your unit.

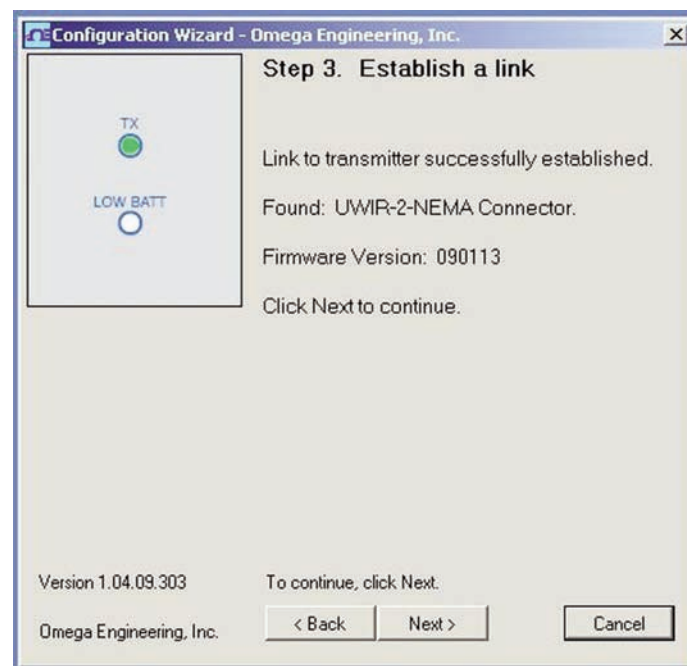


Figure 13. Utility Program - Establish Link Screen

After successful communication between your connector/transmitter has been established you can click the "Next >" button to proceed and continue setting up your connector/transmitter. If you did not receive this confirmation of proper communication you should click the "Back" button to try connecting again.



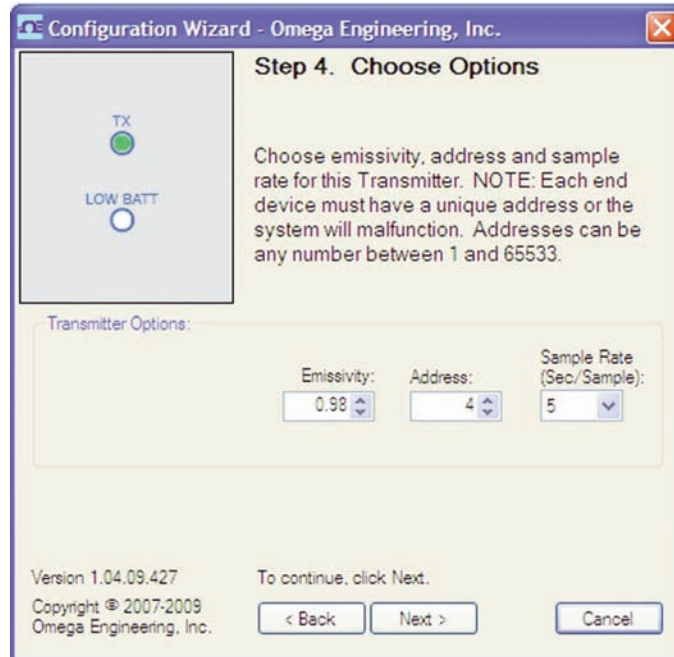


Figure 14. Utility Program - Choose Options Screen

From this screen you will select the main operating settings for your end device. (Note: Each end device must have a different address number for proper operation). After making your selections click the “Next >” button to proceed and program your settings into your unit.

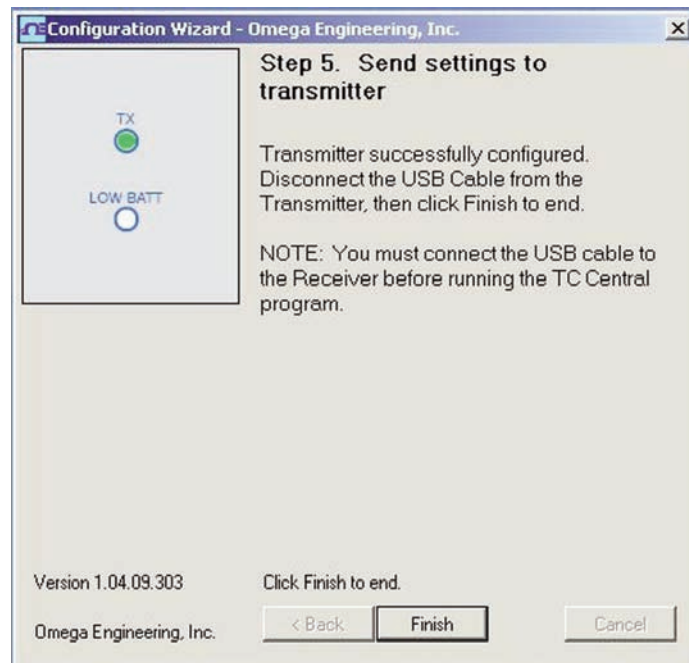


Figure 15. Utility Program - Send To Transmitter Screen

Congratulations! You have successfully programmed your end device. After your unit has been programmed click the “Finish” button to close the utility program.

## 5.2 Mounting, Installation and Antenna connection

### 5.2.1 Mounting and Reference Dimensions

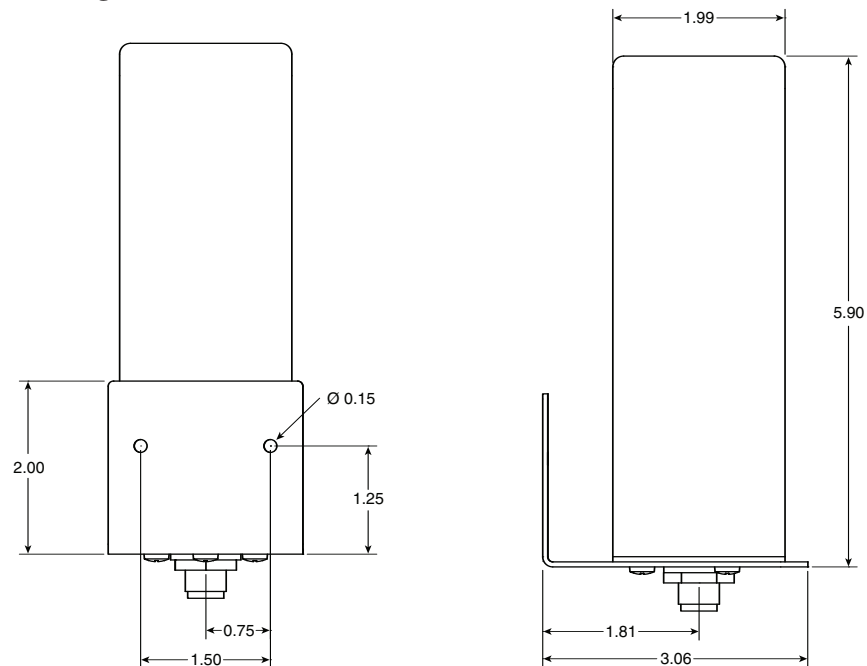


Figure 16. Mounting and Reference Dimensions

When mounting your end device, care should be taken to make sure it is as far away from any metal objects. If nearby metal gets too close to your unit, it has the potential to interfere with the way the unit radiates and may cause signal loss or possibly even the inability to communicate at all with your receiver.

### 5.2.2 Installation

When installing your End Device it is important to position your device in such a way as to optimize the antenna location within what's known as the "Fresnel Zone".

The Fresnel Zone can be thought of as a football-shaped invisible tunnel between two locations that provides a path for RF signals between your End Device and your receiver.

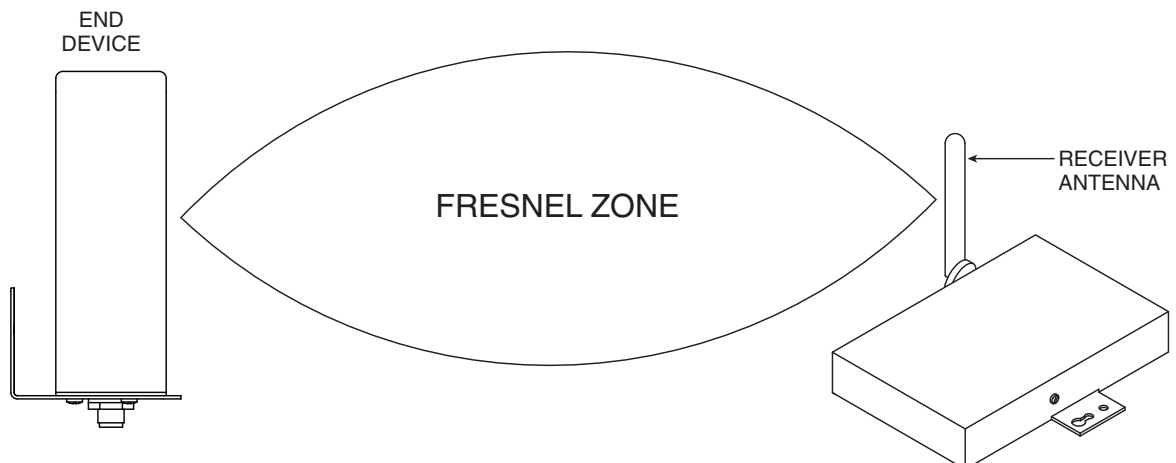


Figure 17. Fresnel Zone

In order to achieve maximum range, the football-shaped path in which radio waves travel must be free of all obstructions. Obstacles in the path (especially metal) will decrease the communication range between your End Device and receiver. Also, If the antennas are mounted just barely off the ground, over half of the Fresnel zone ends up being obstructed by the earth resulting in significant reduction in range. To avoid this problem, the antennas should be mounted high enough off of the ground so that the earth does not interfere with the central diameter of the Fresnel zone.

---

**NOTE:**

It is important to understand that the environment may change over time due to new equipment or machinery being installed, building construction, etc. If new obstacles exist between your End Device and receiver, the devices can be raised on one end or on both ends to hopefully clear the Fresnel Zone of obstructions.

---

---

**NOTE:**

No co-location with other radio transmitters is allowed. By definition, co-location is when another radio device or the device's antenna is located within 20 cm of your connector/transmitter and can transmit simultaneously with your unit.

---

---

**NOTE:**

Never install multiple End Devices within 20 cm or less from each other.

---

---

**NOTE:**

Never use your End Device as a portable device. Your unit has been designed to be operated in a permanent installation only.

---

### 5.2.3 Antenna Connection

Your End Device has been shipped to you with a standard approved antenna.

---

**NOTE:**

Use of any other antenna than what's supplied with your End Device will void all FCC, IC and CE regulatory compliance.

---

## 5.3 Battery Replacement

### 5.3.1 Model UWRTD-S-2-NEMA

To install or replace the batteries in your transmitter you must first remove the protective lid of the enclosure. This will allow you to access the battery compartment.

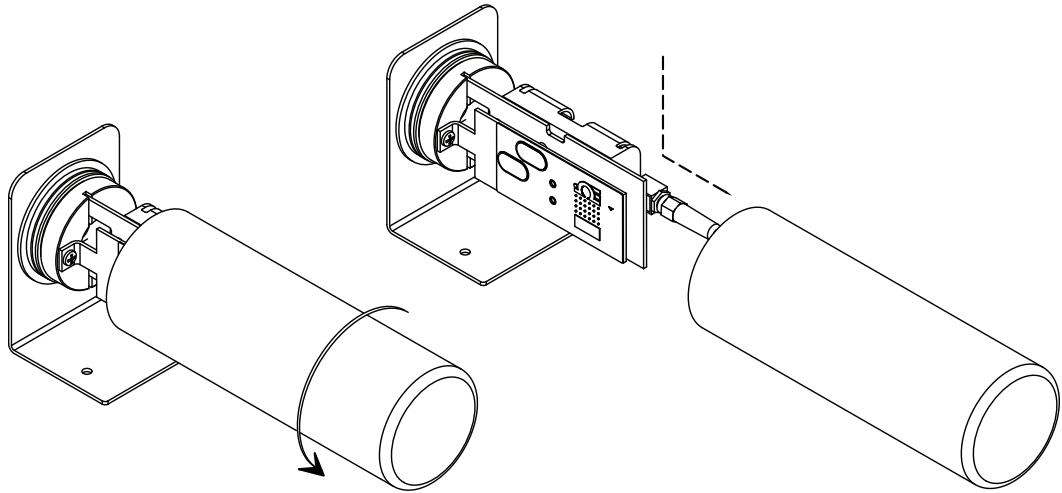


Figure 18A. Battery Replacement

Your transmitter is equipped with two “AA” size lithium power cells (1.5V).  
Omega Part Number: MN1500-L

To install a replacement battery set follow steps outlined below.

- A. Remove the plastic housing cover by unscrewing in a counter-clockwise Direction.
- B. Remove the two batteries from the holder
- C. Install two fresh batteries. Be careful to observe polarity As noted inside the battery holder.
- D. Installation complete

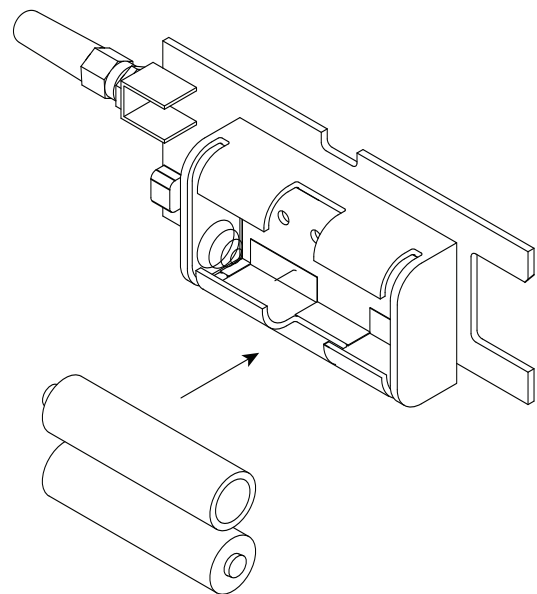


Figure 18B. Battery Replacement

**CAUTION:**

Installing your end device in an application where the unit will be exposed to ambient temperatures above or below the operating limits specified in this manual will damage your unit and cause the unit to malfunction and produce incorrect operation.

### 5.3.2 Installation

When installing your receiver it is important to position your device in such a way as to optimize the antenna location within what's known as the "Fresnel Zone".

The Fresnel Zone can be thought of as a football-shaped invisible tunnel between two locations that provides a path for RF signals between your End Device and your receiver.

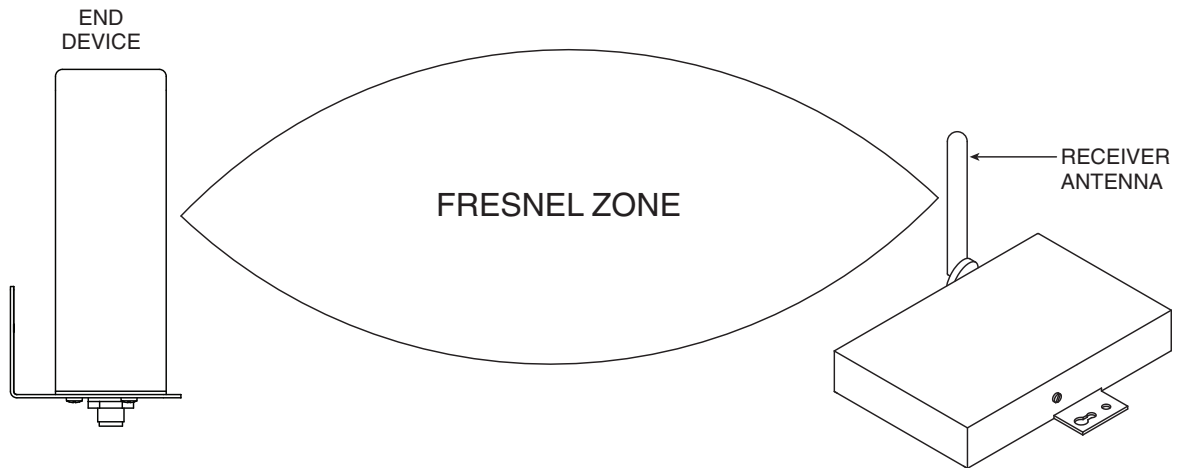


Figure 19. Fresnel Zone

In order to achieve maximum range, the football-shaped path in which radio waves travel must be free of all obstructions. Obstacles in the path (especially metal) will decrease the communication range between your connector/transmitter and receiver. Also, if the antennas are mounted just barely off the ground, over half of the Fresnel zone ends up being obstructed by the earth resulting in significant reduction in range. To avoid this problem, the antennas should be mounted high enough off of the ground so that the earth does not interfere with the central diameter of the Fresnel zone.

**NOTE:**

It is important to understand that the environment may change over time due to new equipment or machinery being installed, building construction, etc. If new obstacles exist between your End Device and receiver, the devices can be raised on one end or on both ends to hopefully clear the Fresnel Zone of obstructions.

### 5.3.3 Antenna Connection

Your receiver has been shipped to you a high gain antenna already attached.

In some cases, a short RF cable may be used to connect an antenna to your end device. Please note that RF extension cables will always add some loss to the transmitting signal strength. The longer the cable the more signal will be lost over that cable. Because of this the length of the cable should be kept as short as possible.

---

**NOTE:**

---

Use of any other antenna than what's supplied with your End Device will void all FCC, IC and CE regulatory compliance.

---

## Section 6 - System Operation

### 6.1 Introduction

Compared to wired systems, a wireless system provides much simpler installation. Based on the physical principle of the propagation of radio waves, certain basic conditions should be observed. The following simple recommendations are provided to insure proper installation and correct operation of your wireless system.

### 6.2 RF Communication Basics

The Model UWPC-2-NEMA sends wireless transmissions to a receiver. The receiver checks the incoming data for accuracy and processes this data for use by the measurement software on your PC. Radio signals are electromagnetic waves, hence the signal becomes weaker the further it travels. While radio waves can penetrate some solid materials like a wall, they are dampened more than when a direct line-of-sight between the transmitting and receiving antenna exist.

### 6.3 Basic System Overview

A basic wireless temperature system is comprised of only two main components; a signal conditioner with a built-in battery powered 2.4 GHz radio transmitter, and a USB powered 2.4 GHz radio receiver.

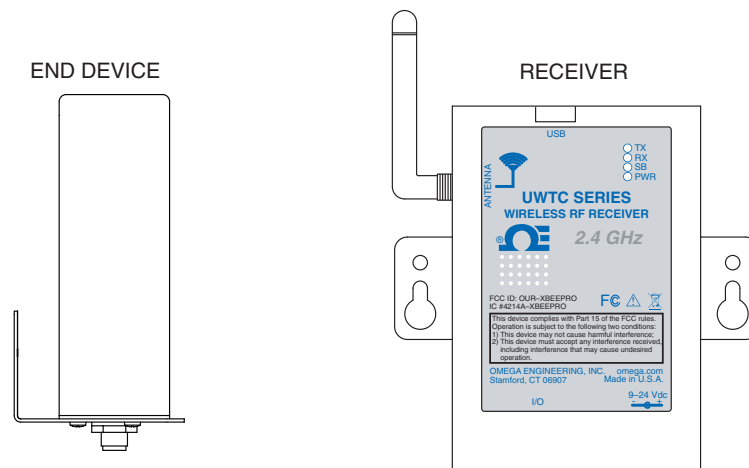


Figure 20. End Device/Receiver

#### NOTE:

Up to 48 end devices can be used with one receiver.

## 6.4 Environment/Operating Conditions

### 6.4.1 Environment

Omega's wireless end devices and receiver units have been designed to be fixed mounted and operated in a clean and dry indoor environment. Care should be taken to prevent the components of your wireless system from being exposed to moisture, toxic chemicals and extreme cold or hot temperature that are outside the specifications listed in this manual.

### 6.4.2 Operating Conditions

The following is a list of basic good practice you should apply when operating your wireless system.

- Never operate your wireless device or receiver outside the recommended environmental limits specified in this manual.
- Never operate your wireless end device or receiver in flammable or explosive environments.
- Never use your wireless end device or receiver in medical, nuclear or other dangerous applications where an interruption of readings can cause damage or harm.
- Never operate your end device or receiver with any other battery or power source than what's specified in this manual or on the battery compartment label.
- No co-location with other radio transmitters is allowed. By definition, co-location is when another radio device or its antenna is located within 20 cm of your end device and can transmit simultaneously with your end device.
- Never install end devices within 20 cm or less from each other.
- Never use your end device as a portable device. Your unit has been designed to be operated in a permanent installation.
- Never install and/or operate your end device closer than 20 cm to nearby persons.
- Never operate your end device with any other antenna than what is supplied or listed here in this manual for approved use.



## 6.5 Transmit Rate vs. Battery Life

Many factors such as ambient temperature conditions and transmitting rate can have a big effect on the life of the battery used in your end device. Transmitting data places a big demand of the battery in your unit. The transmit rate is the single most contributing factor in the life of your battery. The slower the transmit rate you set, the longer the battery in your device will last. The table below give some estimates on how long the battery should last vs. the transmit rate you selected when you setup your end device and under normal operating conditions.

For Model: UWRTD-S-2

<b>Transmit Time</b>	<b>Estimated Battery Life</b>
1 Sample/2 Seconds	47 days
1 Sample/3 Seconds	70 days
1 Sample/4 Seconds	90 days
1 Sample/5 Seconds	110 days
1 Sample/10 Seconds	200 days
1 Sample/15 Seconds	285 days
1 Sample/30 Seconds	460 days
1 Sample/45 Seconds	550 days
1 Sample/60 Seconds	675 days

## **Section 7 – Service & Calibration**

Your wireless transmitter has been built and factory calibrated to meet or exceed the specifications listed here in this manual. Information is provided below on how to have your unit service.

### **7.1 Service and Calibration**

If any of your wireless system components require service or re-calibration, please call our Customer Service Department at 1-800-622-2378 or 203-359-1660. They will assist you in arranging the return of your device. We can also be reached on the Internet at [www.omega.com](http://www.omega.com), e-mail: [cservice@omega.com](mailto:cservice@omega.com)

## Section 8 – Specifications

<b>Available Types:</b>	100 $\Omega$ (standard), 500 $\Omega$ , 1000 $\Omega$ (special order)
<b>RTD Measurement Range:</b>	0.00385: -200 to 850°C (-328 to 1562°F) 0.00392: -100 to 457°C (-148 to 854°F)
<b>RTD Measurement Accuracy:</b>	$\pm 0.5^\circ\text{C}$ (1°F) of reading
<b>RTD Measurement Resolution:</b>	1°C/1°F
<b>Operating Environment:</b>	-10 to 70°C (14 to 158°F)
<b>RTD Connection:</b>	Standard M12 sensor connection cable (included)
<b>Computer Interface:</b>	USB (one interface cable included with receiver)
<b>Transmit Sample Rate:</b>	Programmable from 1 sample/minute to 1 sample/every 5 seconds
<b>Radio Frequency (RF) Transceiver Carrier:</b>	ISM 2.4 GHz, direct sequence spread spectrum, license free worldwide
<b>RF Output Power:</b>	10 dBm (10 mW)
<b>Range of RF Link:</b>	Up to 120 m (400') outdoor line of sight; up to 40 m (130') indoor/urban
<b>Software (Included Free):</b>	Requires Windows® 98, ME, 2000, XP or Vista (32 bit)
<b>Internal Battery:</b>	Two "AA", field replaceable, 1.5V lithium, (included)
<b>Battery Life (Typical):</b>	(1.5 years) 1 sample/minute reading rate @ 25°C (77°F)
<b>Data Transmitted to Host:</b>	Process reading, ambient reading, transmit strength and battery condition
<b>Dimensions:</b>	51 D x 147 mm L (2" x 5.78")
<b>Housing Material:</b>	White polypropylene
<b>Mounting:</b>	Mounting bracket Included

## Section 9 – Approvals, Regulatory Compliance

---

**NOTE:**

All approvals outlined in this manual are based on testing that was done with antennas that are supplied with your UWTC Series System Components. Removing and or installing a different antenna will void the product compliance demonstrated in these documents..

---

### 9.1 FCC/Industry Canada (Domestic Use)

For United States: FCC ID: OUR-XBEEPRO

For Canada: IC #4214A-EXBEEPRO

This device complies with Part 15 of the FCC rules. Operation is subject to the following two conditions: 1.) This device may not cause harmful interference. 2.) This device must accept any interference received, including interference that may cause undesired operation.

---

**WARNING:**

To satisfy FCC RF exposure requirements for mobile transmitting devices, a separation distance of 20 cm or more should be maintained between the antenna of this device and persons during device operation. To ensure compliance, operations at closer than this distance is not recommended. The antenna used for this transmitter must not be co-located in conjunction with any other antenna or transmitter.

---

### 9.2 FCC International Usage and CE Marking

Model: UWRH-2-NEMA is CE marked.

---

**NOTE:**

It is your (the user's) responsibility to insure that these products are operated within the guidelines here in this manual and in conformance with all local, state, federal or national regulations and laws of the country they are being operated in.

**Transmitting Power** —Your wireless end device has been designed, manufactured and tested so that the transmitting power of your connector transmitter will not exceed 10 dBm 10 mW.

---



---

**NOTES:**



---

**NOTES:**



## WARRANTY/DISCLAIMER

OMEGA ENGINEERING, INC. warrants this unit to be free of defects in materials and workmanship for a period of **13 months** from date of purchase. OMEGA's WARRANTY adds an additional one (1) month grace period to the normal **one (1) year product warranty** to cover handling and shipping time. This ensures that OMEGA's customers receive maximum coverage on each product.

If the unit malfunctions, it must be returned to the factory for evaluation. OMEGA's Customer Service Department will issue an Authorized Return (AR) number immediately upon phone or written request. Upon examination by OMEGA, if the unit is found to be defective, it will be repaired or replaced at no charge. OMEGA's WARRANTY does not apply to defects resulting from any action of the purchaser, including but not limited to mishandling, improper interfacing, operation outside of design limits, improper repair, or unauthorized modification. This WARRANTY is VOID if the unit shows evidence of having been tampered with or shows evidence of having been damaged as a result of excessive corrosion; or current, heat, moisture or vibration; improper specification; misapplication; misuse or other operating conditions outside of OMEGA's control. Components in which wear is not warranted, include but are not limited to contact points, fuses, and triacs.

**OMEGA is pleased to offer suggestions on the use of its various products. However, OMEGA neither assumes responsibility for any omissions or errors nor assumes liability for any damages that result from the use of its products in accordance with information provided by OMEGA, either verbal or written. OMEGA warrants only that the parts manufactured by the company will be as specified and free of defects. OMEGA MAKES NO OTHER WARRANTIES OR REPRESENTATIONS OF ANY KIND WHATSOEVER, EXPRESSED OR IMPLIED, EXCEPT THAT OF TITLE, AND ALL IMPLIED WARRANTIES INCLUDING ANY WARRANTY OF MERCHANTABILITY AND FITNESS FOR A PARTICULAR PURPOSE ARE HEREBY DISCLAIMED. LIMITATION OF LIABILITY: The remedies of purchaser set forth herein are exclusive, and the total liability of OMEGA with respect to this order, whether based on contract, warranty, negligence, indemnification, strict liability or otherwise, shall not exceed the purchase price of the component upon which liability is based. In no event shall OMEGA be liable for consequential, incidental or special damages.**

CONDITIONS: Equipment sold by OMEGA is not intended to be used, nor shall it be used: (1) as a "Basic Component" under 10 CFR 21 (NRC), used in or with any nuclear installation or activity; or (2) in medical applications or used on humans. Should any Product(s) be used in or with any nuclear installation or activity, medical application, used on humans, or misused in any way, OMEGA assumes no responsibility as set forth in our basic WARRANTY/DISCLAIMER language, and, additionally, purchaser will indemnify OMEGA and hold OMEGA harmless from any liability or damage whatsoever arising out of the use of the Product(s) in such a manner.

## RETURN REQUESTS/INQUIRIES

Direct all warranty and repair requests/inquiries to the OMEGA Customer Service Department. BEFORE RETURNING ANY PRODUCT(S) TO OMEGA, PURCHASER MUST OBTAIN AN AUTHORIZED RETURN (AR) NUMBER FROM OMEGA'S CUSTOMER SERVICE DEPARTMENT (IN ORDER TO AVOID PROCESSING DELAYS). The assigned AR number should then be marked on the outside of the return package and on any correspondence.

The purchaser is responsible for shipping charges, freight, insurance and proper packaging to prevent breakage in transit.

FOR **WARRANTY** RETURNS, please have the following information available BEFORE contacting OMEGA:

1. Purchase Order number under which the product was PURCHASED,
2. Model and serial number of the product under warranty, and
3. Repair instructions and/or specific problems relative to the product.

FOR **NON-WARRANTY** REPAIRS, consult OMEGA for current repair charges. Have the following information available BEFORE contacting OMEGA:

1. Purchase Order number to cover the COST of the repair,
2. Model and serial number of the product, and
3. Repair instructions and/or specific problems relative to the product.

OMEGA's policy is to make running changes, not model changes, whenever an improvement is possible. This affords our customers the latest in technology and engineering.

OMEGA is a registered trademark of OMEGA ENGINEERING, INC.

© Copyright 2009 OMEGA ENGINEERING, INC. All rights reserved. This document may not be copied, photocopied, reproduced, translated, or reduced to any electronic medium or machine-readable form, in whole or in part, without the prior written consent of OMEGA ENGINEERING, INC.

# Where Do I Find Everything I Need for Process Measurement and Control? **OMEGA...Of Course!** *Shop online at [omega.com](http://omega.com)<sup>SM</sup>*

## **TEMPERATURE**

- ☑ Thermocouple, RTD & Thermistor Probes, Connectors, Panels & Assemblies
- ☑ Wire: Thermocouple, RTD & Thermistor
- ☑ Calibrators & Ice Point References
- ☑ Recorders, Controllers & Process Monitors
- ☑ Infrared Pyrometers

## **PRESSURE, STRAIN AND FORCE**

- ☑ Transducers & Strain Gages
- ☑ Load Cells & Pressure Gages
- ☑ Displacement Transducers
- ☑ Instrumentation & Accessories

## **FLOW/LEVEL**

- ☑ Rotameters, Gas Mass Flowmeters & Flow Computers
- ☑ Air Velocity Indicators
- ☑ Turbine/Paddlewheel Systems
- ☑ Totalizers & Batch Controllers

## **pH/CONDUCTIVITY**

- ☑ pH Electrodes, Testers & Accessories
- ☑ Benchtop/Laboratory Meters
- ☑ Controllers, Calibrators, Simulators & Pumps
- ☑ Industrial pH & Conductivity Equipment

## **DATA ACQUISITION**

- ☑ Data Acquisition & Engineering Software
- ☑ Communications-Based Acquisition Systems
- ☑ Plug-in Cards for Apple, IBM & Compatibles
- ☑ Data Logging Systems
- ☑ Recorders, Printers & Plotters

## **HEATERS**

- ☑ Heating Cable
- ☑ Cartridge & Strip Heaters
- ☑ Immersion & Band Heaters
- ☑ Flexible Heaters
- ☑ Laboratory Heaters

## **ENVIRONMENTAL MONITORING AND CONTROL**

- ☑ Metering & Control Instrumentation
- ☑ Refractometers
- ☑ Pumps & Tubing
- ☑ Air, Soil & Water Monitors
- ☑ Industrial Water & Wastewater Treatment
- ☑ pH, Conductivity & Dissolved Oxygen Instruments