

5 YEAR WARRANTY



RoHS 2 Compliant



For complete product manual:
www.omega.com/manuals/manualpdf/M5021.pdf



MAIN SCREEN -
INVERT MODE



LINE GRAPH
CHARTING
MODE



HORIZONTAL
BAR GRAPH
MODE

OMEGA® User's Guide

Shop online at
omega.com®

e-mail: info@omega.com
For latest product manuals:
www.omegamanual.info

DPi1701 Temperature & Process Input Graphic Display Panel Meter and Data Logger with Wireless Option

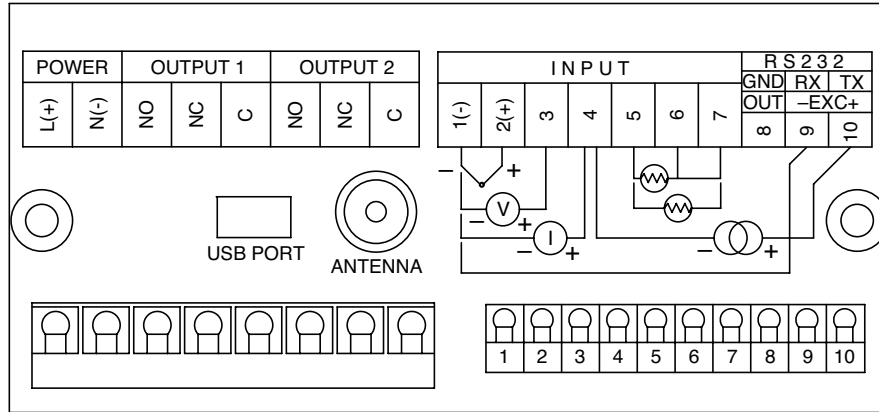


Figure 1. View of DPI1701 Back Panel With USB & Wireless Options

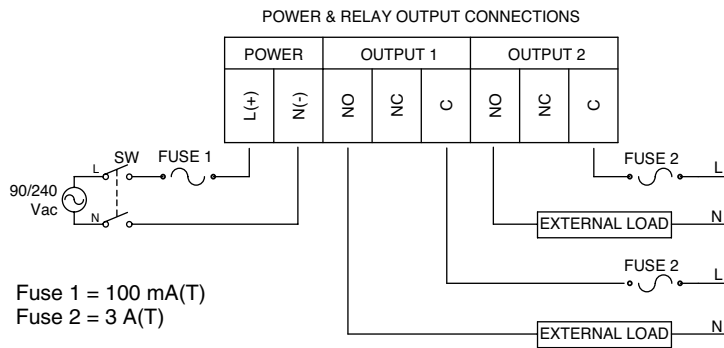


Figure 2. Power & Mechanical Relay Output Connections

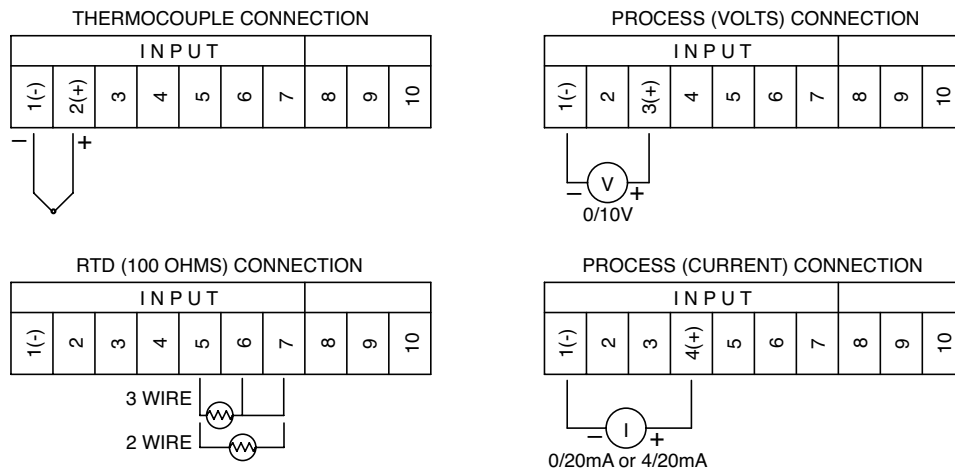


Figure 3. Different Input Type Connections

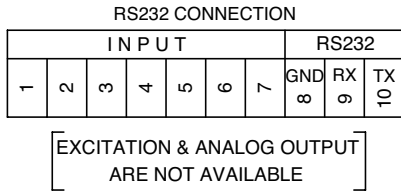


Figure 4. RS232 Connections

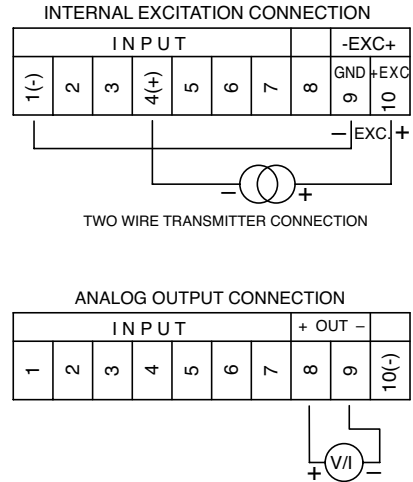


Figure 5. Excitation Voltage & Analog Output Connections

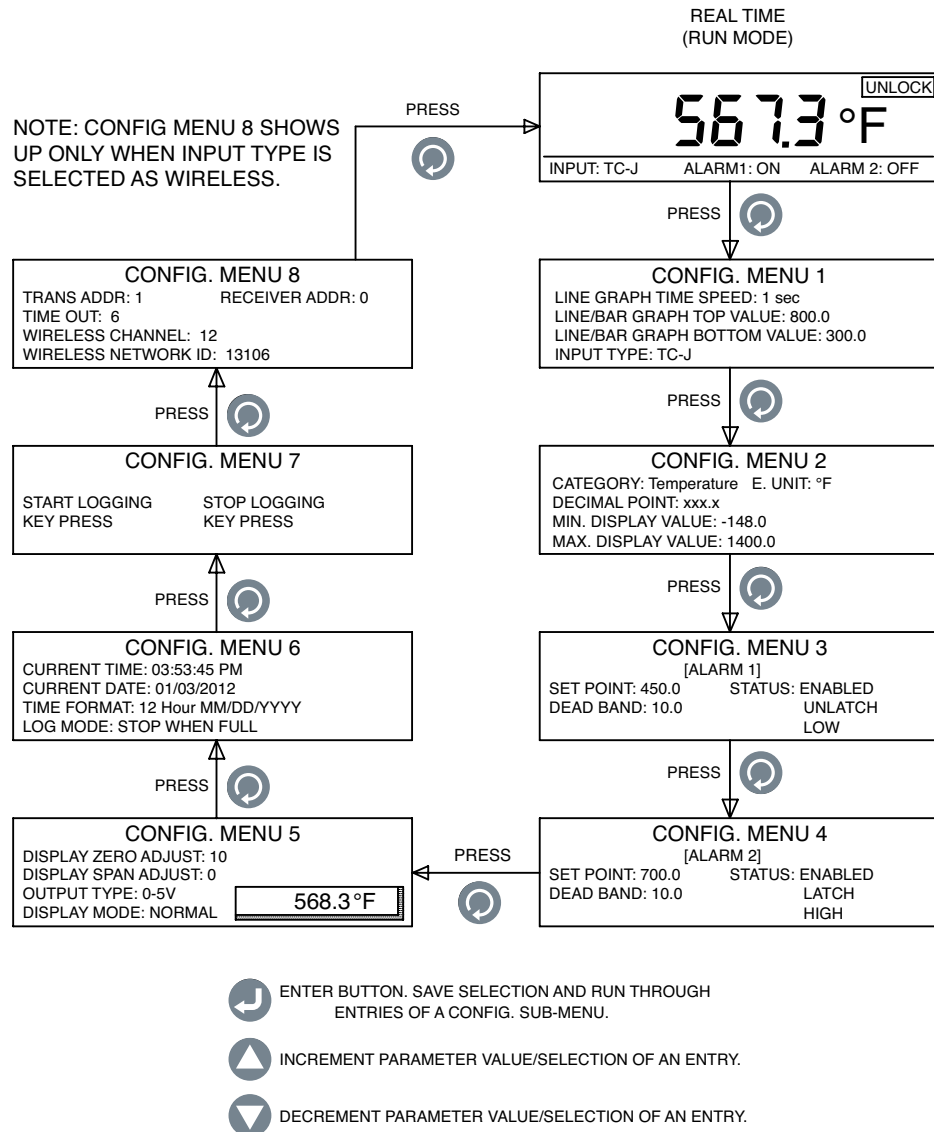


Figure 6. Configuration Menu Flow Chart

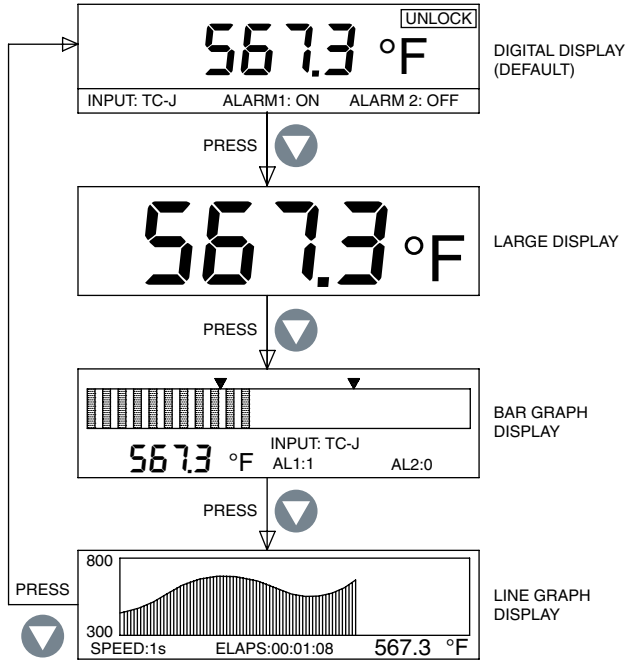


Figure 7. Display Screen Flow Chart

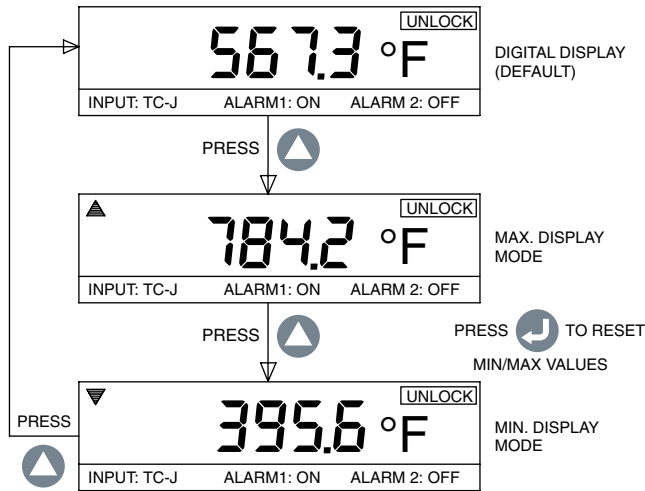


Figure 8. MAX/MIN Flow Chart

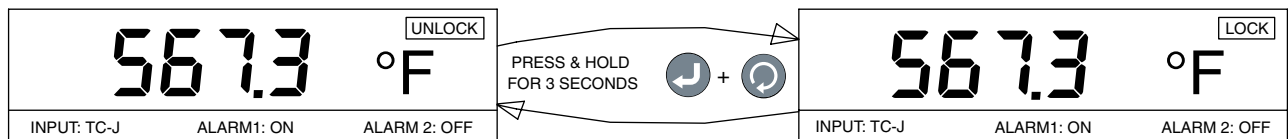


Figure 9. Lock/Unlock Flow Chart

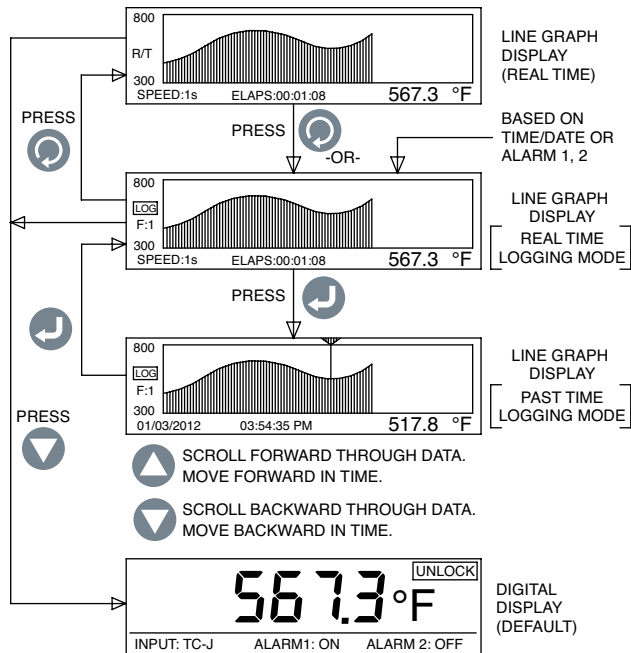


Figure 10. Data Logging Screen Flow Chart

SPECIFICATIONS SUMMARY

GENERAL

Thermocouple Accuracy

Type J, Type K, Type E:, Type T: 0.5°C (0.9°F)
 Type R & S: 1°C (1.8°F) or 0.5% of full scale

Thermocouple Range

Type J: -100 to 760°C (-148 to 1400°F)
 Type K: -100 to 1260°C (-148 to 2300°F)
 Type E: -200 to 849°C (-328 to 1560°F)
 Type T: -200 to 400°C (-328 to 752°F)
 Type R & S: 100 to 1760°C (212 to 3200°F)

Thermocouple Warm up Period: 45 minutes

Thermocouple Zero Drift: 0.06°C/°C

Open Thermocouple Detection: Up scale

Thermocouple Lead Resistance: 100 ohms max.

RTD: 100 ohms Platinum, 2 or 3 wire, 0.00385 curve

RTD Accuracy: 0.5°C (0.9°F)

RTD Range: -200 to 850°C (-328 to 1562°F)

Open RTD Detection: Up scale

Process (Voltage or current)

Input Accuracy: 0.1% of Rdg

Voltage Input Range: 0 to 10 Vdc

Current Input Range: 0 to 20 mA and 4 to 20 mA

Sampling Rate: 4 samples per second

General Power: 90/240 Vac +/-10%, 50-400 Hz

Operating Conditions: 0 to 50°C (32 to 122°F), 90% RH non-condensing

Protection: NEMA-1/Type 1 Front bezel

Dimensions: 48H x 96W x 118mm D (1.89 x 3.78 x 4.65")

Panel Cutout: 45H x 92mm W (1.772 x 3.622")

Weight: 295 g (0.65 lbs)



omega.com info@omega.com

Servicing North America:

Omega Engineering, Inc., One Omega Drive, P.O. Box 4047
Stamford, CT 06907-0047 USA
Toll-Free: 1-800-826-6342 (USA & Canada only)
Customer Service: 1-800-622-2378 (USA & Canada only)
Engineering Service: 1-800-872-9436 (USA & Canada only)
Tel: (203) 359-1660 Fax: (203) 359-7700
e-mail: info@omega.com

For Other Locations Visit omega.com/worldwide

The information contained in this document is believed to be correct, but OMEGA accepts no liability for any errors it contains, and reserves the right to alter specifications without notice.

WARNING: These products are not designed for use in, and should not be used for, human applications.

WARRANTY/DISCLAIMER

OMEGA ENGINEERING, INC. warrants this unit to be free of defects in materials and workmanship for a period of **61 months** from date of purchase. OMEGA's WARRANTY adds an additional one (1) month grace period to the normal **five (5) year product warranty** to cover handling and shipping time. This ensures that OMEGA's customers receive maximum coverage on each product. If the unit malfunctions, it must be returned to the factory for evaluation. OMEGA's Customer Service Department will issue an Authorized Return (AR) number immediately upon phone or written request. Upon examination by OMEGA, if the unit is found to be defective, it will be repaired or replaced at no charge. OMEGA's WARRANTY does not apply to defects resulting from any action of the purchaser, including but not limited to mishandling, improper interfacing, operation outside of design limits, improper repair, or unauthorized modification. This WARRANTY is VOID if the unit shows evidence of having been tampered with or shows evidence of having been damaged as a result of excessive corrosion; or current, heat, moisture or vibration; improper specification; misapplication; misuse or other operating conditions outside of OMEGA's control. Components in which wear is not warranted, include but are not limited to contact points, fuses, and triacs.

OMEGA is pleased to offer suggestions on the use of its various products. However, OMEGA neither assumes responsibility for any omissions or errors nor assumes liability for any damages that result from the use of its products in accordance with information provided by OMEGA, either verbal or written. OMEGA warrants only that the parts manufactured by the company will be as specified and free of defects. OMEGA MAKES NO OTHER WARRANTIES OR REPRESENTATIONS OF ANY KIND WHATSOEVER, EXPRESSED OR IMPLIED, EXCEPT THAT OF TITLE, AND ALL IMPLIED WARRANTIES INCLUDING ANY WARRANTY OF MERCHANTABILITY AND FITNESS FOR A PARTICULAR PURPOSE ARE HEREBY DISCLAIMED. LIMITATION OF LIABILITY: The remedies of purchaser set forth herein are exclusive, and the total liability of OMEGA with respect to this order, whether based on contract, warranty, negligence, indemnification, strict liability or otherwise, shall not exceed the purchase price of the component upon which liability is based. In no event shall OMEGA be liable for consequential, incidental or special damages.

CONDITIONS: Equipment sold by OMEGA is not intended to be used, nor shall it be used: (1) as a "Basic Component" under 10 CFR 21 (NRC), used in or with any nuclear installation or activity; or (2) in medical applications or used on humans. Should any Product(s) be used in or with any nuclear installation or activity, medical application, used on humans, or misused in any way, OMEGA assumes no responsibility as set forth in our basic WARRANTY/DISCLAIMER language, and, additionally, purchaser will indemnify OMEGA and hold OMEGA harmless from any liability or damage whatsoever arising out of the use of the Product(s) in such a manner.

RETURN REQUESTS / INQUIRIES

Direct all warranty and repair requests/inquiries to the OMEGA Customer Service Department. BEFORE RETURNING ANY PRODUCT(S) TO OMEGA, PURCHASER MUST OBTAIN AN AUTHORIZED RETURN (AR) NUMBER FROM OMEGA'S CUSTOMER SERVICE DEPARTMENT (IN ORDER TO AVOID PROCESSING DELAYS). The assigned AR number should then be marked on the outside of the return package and on any correspondence.

The purchaser is responsible for shipping charges, freight, insurance and proper packaging to prevent breakage in transit.

FOR **WARRANTY** RETURNS, please have the following information available BEFORE contacting OMEGA:

1. Purchase Order number under which the product was PURCHASED,
2. Model and serial number of the product under warranty, and
3. Repair instructions and/or specific problems relative to the product.

FOR **NON-WARRANTY** REPAIRS, consult OMEGA for current repair charges. Have the following information available BEFORE contacting OMEGA:

1. Purchase Order number to cover the COST of the repair,
2. Model and serial number of the product, and
3. Repair instructions and/or specific problems relative to the product.

OMEGA's policy is to make running changes, not model changes, whenever an improvement is possible. This affords our customers the latest in technology and engineering. OMEGA is a registered trademark of OMEGA ENGINEERING, INC.

© Copyright 2013 OMEGA ENGINEERING, INC. All rights reserved. This document may not be copied, photocopied, reproduced, translated, or reduced to any electronic medium or machine-readable form, in whole or in part, without the prior written consent of OMEGA ENGINEERING, INC.