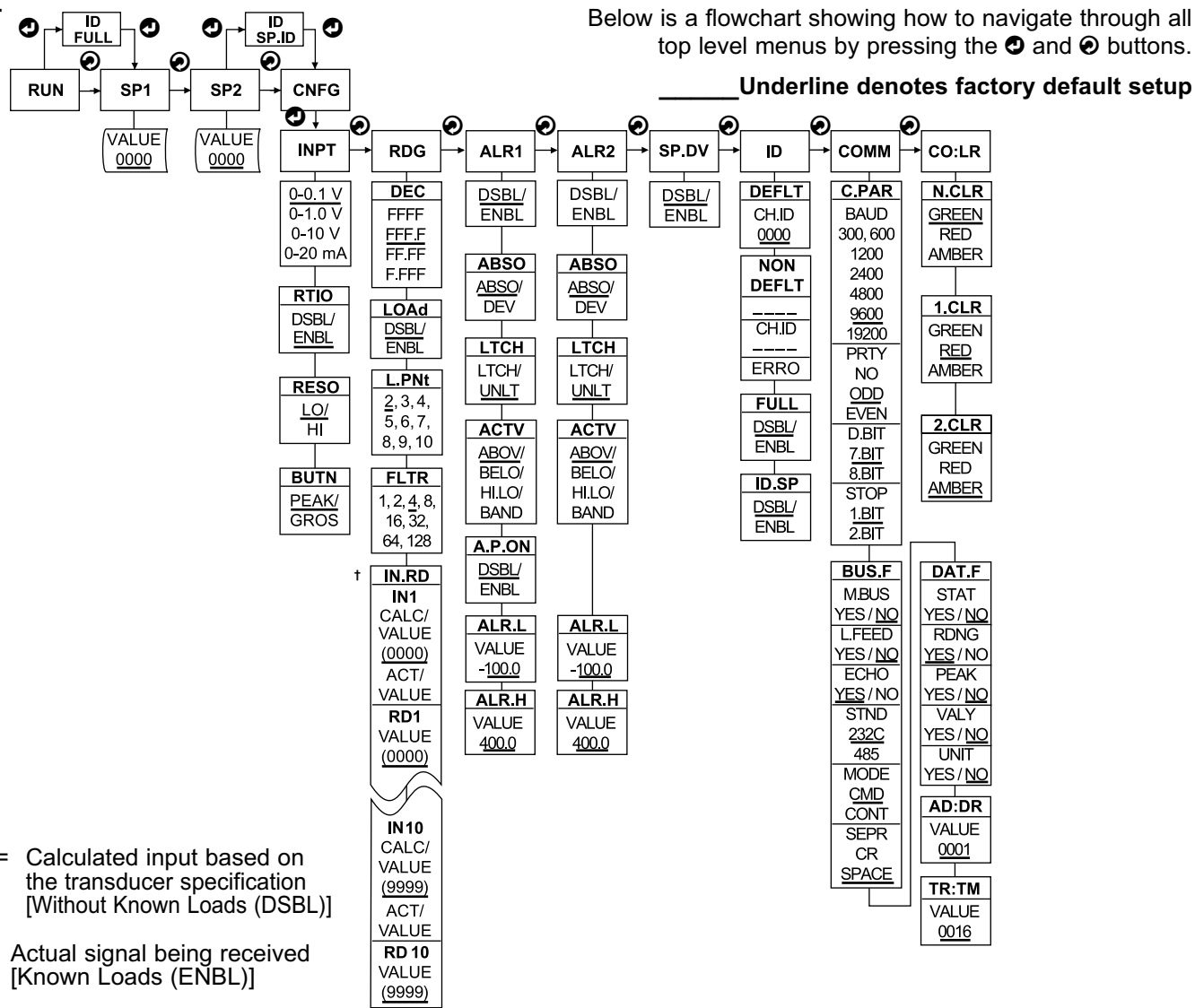


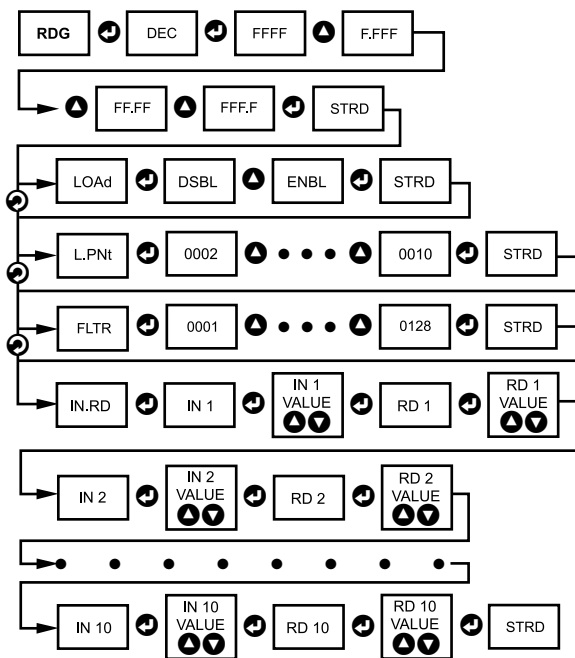
FLOW CHART



† Where:
 CALC/VALUE = Calculated input based on the transducer specification [Without Known Loads (DSBL)]
 ACT/VALUE = Actual signal being received [Known Loads (ENBL)]

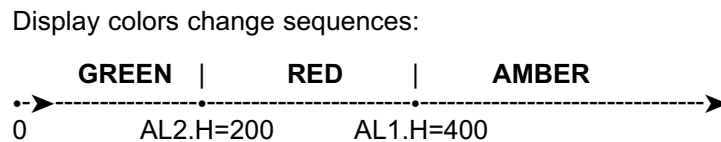
READING CONFIGURATION SETUP (operation example)

Below is a flowchart showing how to navigate through the submenus of the Reading Configuration menu item by pressing the front buttons.

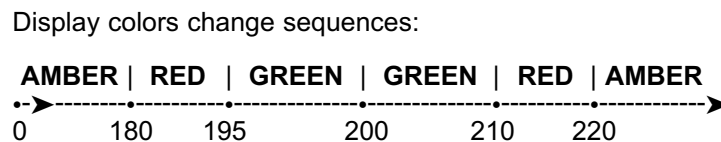


DISPLAY COLOR SETUP (examples)

Example 1:
 Alarm setup: Absolute, Above, Alarm 2 HI Value "ALR.H" =200, Alarm 1 HI Value "ALR.H"=400
 Color Display setup: Normal Color "N.CLR"=Green, Alarm 1 Color "1.CLR"=Amber, Alarm 2 Color "2.CLR"=Red



Example 2:
 Set Point 1: 200
 Set Point 2: 200
 Alarm 1 setup: Deviation, Band, "ALR.H" = 20
 Alarm 2 setup: Deviation, Hi/Low, "ALR.H = 10", "ALR.L = 5"
 Color Display setup: "N.CLR"=Green, "1.CLR"=Amber, "2.CLR"=Red



SPECIFICATION

Accuracy: 0.03% rdg.
Resolution: 10 / 1 µV process
Linearization Points: 10 points
Temperature Stability: 50 ppm/°C process
Display: 4-digit, 9-segment LED, 21 mm (0.83") with red, green and amber programmable colors
Input Types: Analog Voltage and Current
Voltage: 0 to 100 mV, 0 to 1 V (±100 mV), 0 to 10 Vdc
Input Impedance: 10 MΩ for 100 mV, 1 MΩ for 1 or 10 Vdc
Current: 0 to 20 mA (5 Ω load)
Output 1[†]: Relay 250 Vac @ 3 A Resistive Load, SSR, Pulse
Output 2[†]: Relay 250 Vac @ 3 A Resistive Load, SSR, Pulse
Options: Communication RS-232 / RS-485 or
Excitation: 5 Vdc @ 40 mA, 10 Vdc @ 60 mA
Line Voltage/Power: 90 - 240 Vac ±10%, 50 - 400 Hz*, or 110 - 375 Vdc, 4 W
Low Voltage Power Option: 12 - 36 Vdc, 3 W**
Dimensions: 48 H x 96 W x 74 D mm (1.89 x 3.78 x 2.91")
Weight: 295 g (0.65 lb)
Approvals: UL, C-UL, CE per EN61010-1:2001

WARNING: These products are not designed for use in, and should not be used for, patient-connected applications.

This device is marked with the international caution symbol. It is important to read the Setup Guide before installing or commissioning this device, as the guide contains important information relating to safety and EMC.

It is the policy of OMEGA to comply with all worldwide safety and EMC/EMI regulations that apply. OMEGA is constantly pursuing certification of its products to the European New Approach Directives. OMEGA will add the CE mark to every appropriate device upon certification.

The information contained in this document is believed to be correct, but OMEGA Engineering, Inc. accepts no liability for any errors it contains, and reserves the right to alter specifications without notice.

TRADEMARK NOTICE: , *omega.com*, **OMEGA**, and are Trademarks of OMEGA ENGINEERING, INC.



Series
 Compact Process/Strain Gauge
DPiS8C - Monitor
CNiS8C-AL - Limit Alarm



OMEGAnet® On-Line Service www.omega.com **Internet e-mail** info@omega.com

Servicing North America:
USA: ISO 9001 Certified One Omega Drive, P.O. Box 4047
 Stamford CT 06907-0047
 TEL: (203) 359-1660 FAX: (203) 359-7700
 e-mail: info@omega.com
Canada: 976 Bergar
 Laval (Quebec) H7L 5A1
 TEL: (514) 856-6928 FAX: (514) 856-6886
 e-mail: info@omega.ca

For immediate technical or application assistance:
USA and Canada: Sales Service: 1-800-826-6342 / 1-800-TC-OMEGA®
 Customer Service: 1-800-622-2378 / 1-800-622-BEST®
 Engineering Service: 1-800-872-9436 / 1-800-USA-WHEN®
Mexico and Latin American: TEL: (001)800-TC-OMEGA® FAX: (001) 203-359-7807
 En Español: (001) 203-359-7803
 e-mail: espanol@omega.com

Servicing Europe:
Czech Republic: Frystatska 184, 733 01 Karviná
 TEL: +420 59 6311899 FAX: +420 59 6311114
 e-mail: info@omegashop.cz
Germany/Austria: Daimlerstrasse 26, D-75392 Deckenpfronn, Germany
 TEL: +49 7056 9398-0 FAX: +49 7056 9398-29
 Toll Free in Germany: 0800 639 7678
 e-mail: info@omega.de

United Kingdom: ISO 9002 Certified
 One Omega Drive
 River Bend Technology Centre
 Northbank, Irlam Manchester M44 5BD United Kingdom
 TEL: +44 161 777 6611 FAX: +44 161 777 6622
 Toll Free in England: 0800 488 488
 e-mail: sales@omega.co.uk

WARRANTY/DISCLAIMER

OMEGA ENGINEERING, INC. warrants this unit to be free of defects in materials and workmanship for a period of **one (1) year** from the date of purchase. In addition to OMEGA's standard warranty period, OMEGA Engineering will extend the warranty period for **four (4) additional years** if the warranty card enclosed with each instrument is returned to OMEGA.

If the unit malfunctions, it must be returned to the factory for evaluation. OMEGA's Customer Service Department will issue an Authorized Return (AR) number immediately upon phone or written request. Upon examination by OMEGA, if the unit is found to be defective, it will be repaired or replaced at no charge. OMEGA's WARRANTY does not apply to defects resulting from any action of the purchaser, including but not limited to mishandling, improper interfacing, operation outside of design limits, improper repair, or unauthorized modification. This WARRANTY is VOID if the unit shows evidence of having been tampered with or shows evidence of having been damaged as a result of excessive corrosion; or current, heat, moisture or vibration; improper specification; misapplication; misuse or other operating conditions outside of OMEGA's control. Components which wear are not warranted, including but not limited to contact points, fuses, and triacs.

OMEGA is pleased to offer suggestions on the use of its various products. However, OMEGA neither assumes responsibility for any omissions or errors nor assumes liability for any damages that result from the use of its products in accordance with information provided by OMEGA, either verbal or written. OMEGA warrants only that the parts manufactured by it will be as specified and free of defects. OMEGA MAKES NO OTHER WARRANTIES OR REPRESENTATIONS OF ANY KIND WHATSOEVER, EXPRESS OR IMPLIED, EXCEPT THAT OF TITLE, AND ALL IMPLIED WARRANTIES INCLUDING ANY WARRANTY OF MERCHANTABILITY AND FITNESS FOR A PARTICULAR PURPOSE ARE HEREBY DISCLAIMED. LIMITATION OF LIABILITY: The remedies of purchaser set forth herein are exclusive, and the total liability of OMEGA with respect to this order, whether based on contract, warranty, negligence, indemnification, strict liability or otherwise, shall not exceed the purchase price of the component upon which liability is based. In no event shall OMEGA be liable for consequential, incidental or special damages.

CONDITIONS: Equipment sold by OMEGA is not intended to be used, nor shall it be used: (1) as a "Basic Component" under 10 CFR 21 (NRC), used in or with any nuclear installation or activity; or (2) in medical applications or used on humans. Should any Product(s) be used in or with any nuclear installation or activity, medical application, used on humans, or misused in any way, OMEGA assumes no responsibility as set forth in our basic WARRANTY/DISCLAIMER language, and, additionally, purchaser will indemnify OMEGA and hold OMEGA harmless from any liability or damage whatsoever arising out of the use of the Product(s) in such a manner.

RETURN REQUESTS/INQUIRIES

Direct all warranty and repair requests/inquiries to the OMEGA Customer Service Department. BEFORE RETURNING ANY PRODUCT(S) TO OMEGA, PURCHASER MUST OBTAIN AN AUTHORIZED RETURN (AR) NUMBER FROM OMEGA'S CUSTOMER SERVICE DEPARTMENT (IN ORDER TO AVOID PROCESSING DELAYS). The assigned AR number should then be marked on the outside of the return package and on any correspondence.

The purchaser is responsible for shipping charges, freight, insurance and proper packaging to prevent breakage in transit.

FOR WARRANTY RETURNS, please have the following information available BEFORE contacting OMEGA:

1. Purchase Order number under which the product was PURCHASED,
2. Model and serial number of the product under warranty, and
3. Repair instructions and/or specific problems relative to the product.

FOR NON-WARRANTY REPAIRS, consult OMEGA for current repair charges. Have the following information available BEFORE contacting OMEGA:

1. Purchase Order number to cover the COST of the repair,
2. Model and serial number of product, and
3. Repair instructions and/or specific problems relative to the product.

OMEGA's policy is to make running changes, not model changes, whenever an improvement is possible. This affords our customers the latest in technology and engineering.

OMEGA is a registered trademark of OMEGA ENGINEERING, INC.

© Copyright 2006 OMEGA ENGINEERING, INC. All rights reserved. This document may not be copied, photocopied, reproduced, translated, or reduced to any electronic medium or machine-readable form, in whole or in part, without the prior written consent of OMEGA ENGINEERING, INC.

PATENT AND TRADEMARK NOTICE: This product is covered by one or more of the following patents: U.S. Pat. No. Des. 336,895; 5,274,577; 6,243,021 / CANADA 2052599; 2052600 / ITALY 1249456; 1250938 / GERMANY DE 41 34398 C2 / SPAIN 2039150; 2048066 / UK Patent No. GB2 249 837; GB2 248 954 / FRANCE BREVET NO. 91 12756. The "Meter Bezel Design" is a trademark of Newport Electronics, Inc. USED UNDER LICENSE. Other U.S. and International Patents pending or applied for.



This Quick Start Reference provides information on setting up your instrument for basic operation. The latest complete Communication and Operational Manual as well as free Software and ActiveX Controls are available at www.omega.com/specs/series or on the CD-ROM enclosed with your shipment.

SAFETY CONSIDERATION



This device is marked with the international Caution symbol.

The instrument is a panel mount device protected in accordance with EN 61010-1:2001, electrical safety requirements for electrical equipment for measurement, control and laboratory. Remember that the unit has no power-on switch. Building installation should include a switch or circuit-breaker that must be compliant to IEC 947-1 and 947-3.

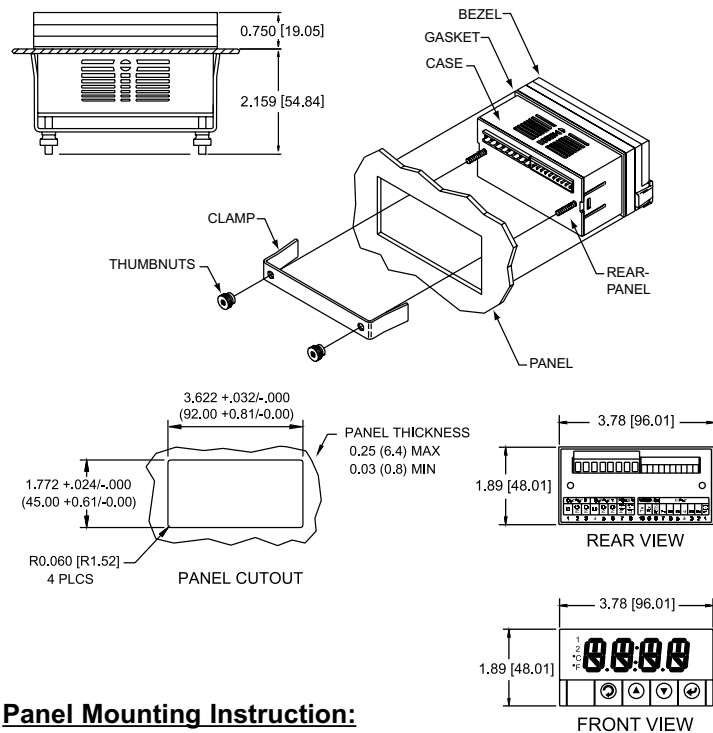
SAFETY:

- Do not exceed voltage rating on the label located on the top of the instrument housing.
- Always disconnect power before changing signal and power connections.
- Do not use this instrument on a work bench without its case for safety reasons.
- Do not operate this instrument in flammable or explosive atmospheres.
- Do not expose this instrument to rain or moisture.

EMC:

- Whenever EMC is an issue, always use shielded cables.
- Never run signal and power wires in the same conduit.
- Use signal wire connections with twisted-pair cables.
- Install Ferrite Bead(s) on signal wire close to the instrument if EMC problems persist.

MOUNTING



Panel Mounting Instruction:

- Using the dimensions from the panel cutout diagram shown above, cut an opening in the panel.
- Remove sleeve from the rear of the case by removing thumbnuts.
- Insert the unit into the opening from the front of the panel, so the gasket seals between the bezel and the front of the panel.
- Slip the sleeve over the rear of the case.
- Tighten the thumbnuts to hold the unit firmly in the panel.

Disassembly Instruction:

If necessary, the unit may be removed from the panel and opened.

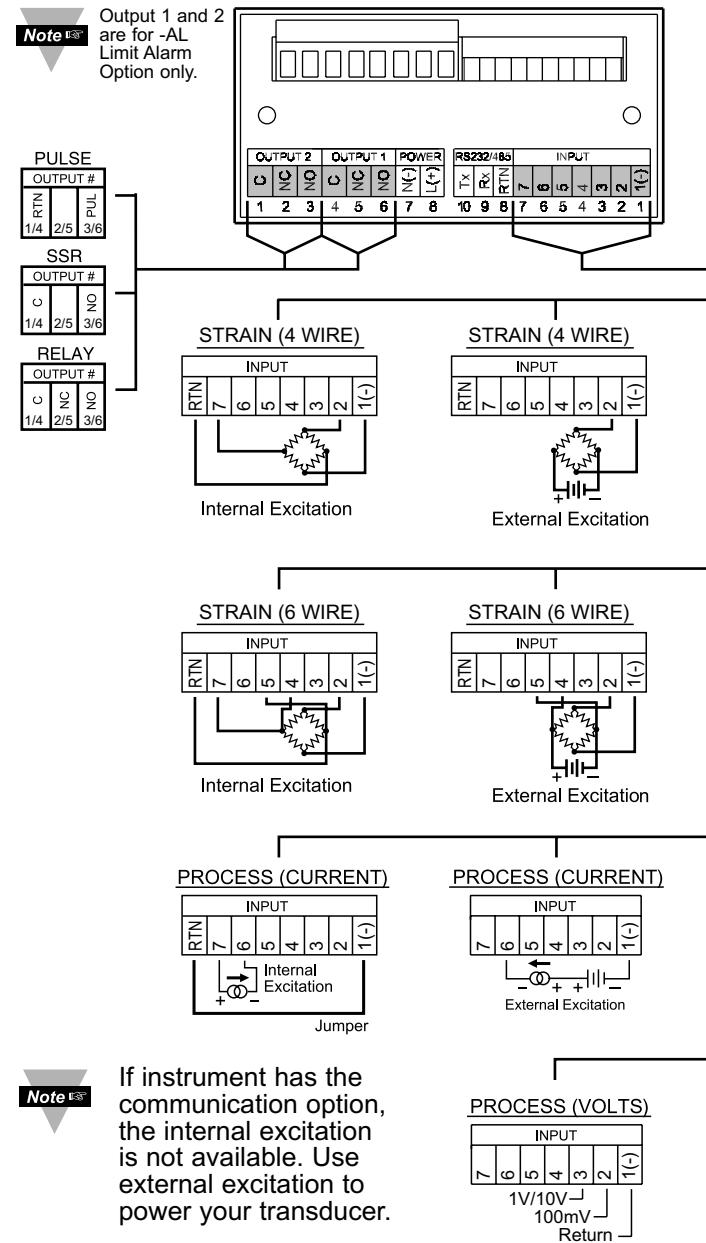


Warning: Disconnect all ac power from the unit before proceeding.

- Remove all wiring connections from the rear of the instrument, by unplugging the power and input connectors.
- Remove both thumbnuts and set aside.
- Remove the sleeve and set aside.
- Remove the meter from the panel and bend the side panel detents on the case outward to release the board. Pull the board assembly out of the case.

WIRING

Wire the instrument according to the figure shown below

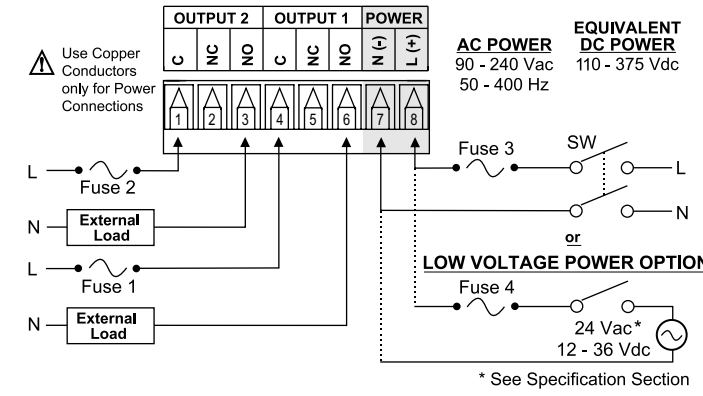


If instrument has the communication option, the internal excitation is not available. Use external excitation to power your transducer.



Warning: Do not connect ac power to your device until you have completed all input and output connections. This device must only be installed by a specially trained electrician with corresponding qualifications. Failure to follow all instructions and warnings may result in injury!

Connect the main power connections in the figure shown below.



FUSE	Connector	Output Type	For 115Vac	For 230Vac	DC
FUSE 1	Output 1	Relay	3 A(T)	3 A(T)	-
FUSE 2	Output 2	Relay	3 A(T)	3 A(T)	-
FUSE 3	Power	N/A	100 mA(T)	100 mA(T)	100 mA(T)
FUSE 4	Power	N/A	N/A	N/A	400 mA(T)



Output 1 and 2 are for -AL Limit Alarm Option only.

CONFIGURATION

Button Functions in Configuration Mode

MENU	<ul style="list-style-type: none"> To enter the Menu, the user must first press ⏏ button. Use this button to advance/navigate to the next menu item. The user can navigate through all the top level menus by pressing ⏏. While a parameter is being modified, press ⏏ to escape without saving the parameter.
PK/GRS (UP)	<ul style="list-style-type: none"> Press the up ⬆ button to scroll through "flashing" selections. When a numerical value is displayed press this key to increase value of a parameter that is currently being modified. Holding the ⬆ button down for approximately 3 seconds will speed up the rate at which the setpoint value is incremented. In the Run Mode pressing ⬆ causes the display to flash the PEAK or GROSS value – press again to return to the Run Mode.
TARE (DOWN)	<ul style="list-style-type: none"> Press the down ⬇ button to go back to a previous Top Level Menu item. Press this button twice to reset the controller to the Run Mode. When a numerical value is flashing (except setpoint value) press ⬇ to scroll digits from left to right allowing the user to select the desired digit to modify. When a setpoint value is displayed press ⬇ to decrease value of a setpoint that is currently being modified. Holding the ⬇ button down for approximately 3 seconds will speed up the rate at which the setpoint value is decremented. In the Run Mode pressing ⬇ causes the display to flash TARE value to tare your reading (zeroing).
ENTER	<ul style="list-style-type: none"> Press the enter ⏏ button to access the submenus from a Top Level Menu item. Press ⏏ to store a submenu selection or after entering a value — the display will flash a 5 t R d message to confirm your selection. To reset flashing PEAK or GROSS press ⏏. In the Run Mode, press ⏏ twice to enable Standby Mode with flashing 5 t b y.



Reset: Except for Alarms, modifying any settings of the menu configuration will reset the controller prior to resuming Run Mode.

DISPLAY ABBREVIATIONS

SP1	Set Point 1 Value	SP2	Set Point 2 Value
CNFG	Configuration Menu	INPt	Input Type (range)
0 - 1.0	1 V Input Voltage	0 - 0.1	100 mV Input Voltage
0 - 20	20 mA Input Current	0 - 10	10 V Input Voltage
Rtio	Ratiometric Operation	RESO	Display Resolution
bUtN	Button Peak/Gross	PEAK	Peak Value
GROS	Gross Value		
RdG	Reading Configuration		
dEC	Decimal Point	F.FFF	Decimal Point Position
LOAD	Input Load	EnbL	Scaling with Known Loads (Actual Value)
DSbL	Scaling without Known Loads (Calculated Value)	L.Pnt	Linearization Points
0002..0010	Number of Linearization Points	FLtR	Filter Constant
0001..0128	Filter Constant Value	IN.Rd	Input/Reading Scale and Offset Menu
IN 1	Input 1	Rd 1	Reading 1
IN 2	Input 2	Rd 2	Reading 2
...
IN 10	Input 10	Rd 10	Reading 10
ALR1	Alarm 1 Menu	AbSo	Absolute Mode
dEV	Deviation Mode	LtcH	Latched Mode
UNLt	Unlatched Mode	Ct.CL	Contact Closure
N.o.	Normally Open	N.c.	Normally Closed
ActV	Active Type	ABoV	Active Above
bELo	Active Below	Hi.Lo	Above High/Below Low
bANd	Above or Below Band	A.P.oN	Alarm Enable/Disable at Power On
ALR.L	Alarm Low Value	ALR.H	Alarm High Value
ALR.2	Alarm 2 Menu		
SP.dN	Set Point Deviation		
Id	ID Code Menu	CH.Id	Change ID Code
FULL	Full ID	SP.Id	Set Point ID
COMM	Communication Option*	NONE	Communication is Not Installed
C.PAR	Communication Parameters	bAUd	Baud Rate
PRtY	Parity	odd	Odd
EVEN	Even	No	No
dAtA	Data Bit	7.bit	7 Data Bit
8.bit	8 Data Bit	StOP	Stop Bit
1.bit	1 Data Bit	2.bit	2 Stop Bit
bus.F	Bus Format	M.bus	Modbus Protocol
LF	Line Feed	ECHO	Echo
StNd	Communication Standard	232C	RS-232
485	RS-485	ModE	Data Flow Mode
CMD	Command Mode	CoNt	Continuous Mode
SEPR	Data Separation Character	SPCE	Space
cR	Carriage Return	dAt.F	Data Format
stAt	Alarm Status	RdNG	Transmit Reading Value
PEAK	Transmit Peak Value	GROS	Transmit Gross Value
UNit	Units of Measurement	AddR	Multipoint Address
tR.tM	Transmit Color Selection		
COLR	Display Color Selection	N.CLR	Normal Color Display
1.CLR	Alarm 1 Color Display	2.CLR	Alarm 2 Color Display
REd	Display Color is Red	AMbR	Display Color is Amber
GRN	Display Color is Green		
dSbL	Disable	ENbL	Enable
ERRO	Error	+ OL	Input (+) Overload

* For abbreviations of Communication Option see Communication Manual.