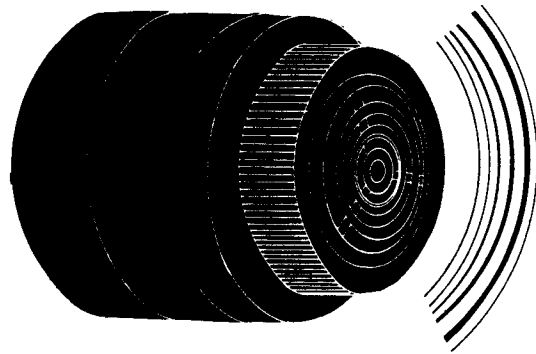


® ΩE 70A

® ΩE Audible Temperature Alarm



**Operator's Manual
M191/1192**

INTRODUCTION

The OMEGA® Model 70A Audible Temperature Alarms are the latest development in solid state sound production. When power is applied to them, a piezoelectric transducer operates as a solid state oscillator, resulting in a loud audible alarm tone. There is no arcing or mechanical wear.

The Temperature Alarms are available in three styles—continuous (Model 70A-1), intermittent, and warble tone (Model 70A-4). The intermittent tone is either a fast pulse tone (Model 70A-2) or a slow pulse tone (Model 70A-3).

The Temperature Alarms are designed to give years of trouble-free service. They are easy to install—only a 1½" diameter is required. To operate the alarms, simply connect to a temperature controller and 120 VAC.

FEATURES

- Three styles—continuous, intermittent, and warble tone
- Loud tone—95 dB at 2900 Hz
- Solid state reliability—no arcing or mechanical wear
- Works with any OMEGA temperature controller
- Easy to install
- Built-in shutter-type volume control

INSTALLATION

To mount the Temperature Alarm, remove the black plastic nut and insert threaded front through a 1½" diameter hole punched in a panel (see Figure 1). Screw nut back on. Do not over-tighten.

The terminals are 0.032" brass, tin plated, for #6-32 screws. Two #6-32 screws are included. Tabs will also accept ¼" quick disconnect wiring hardware.

For wiring suggestions, see Figure 2.

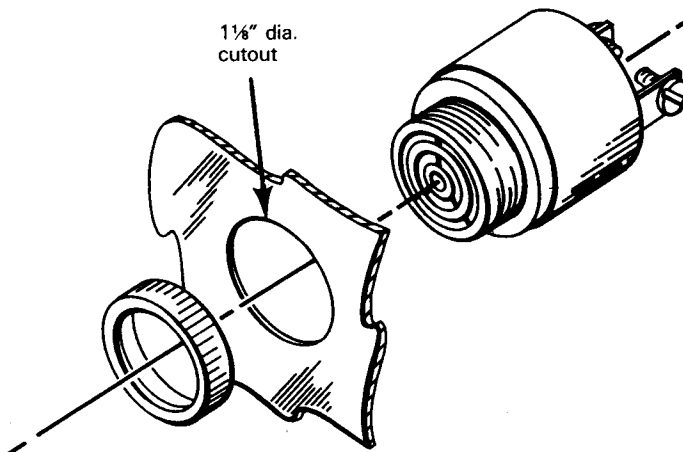


Figure 1. Mounting the Temperature Alarm

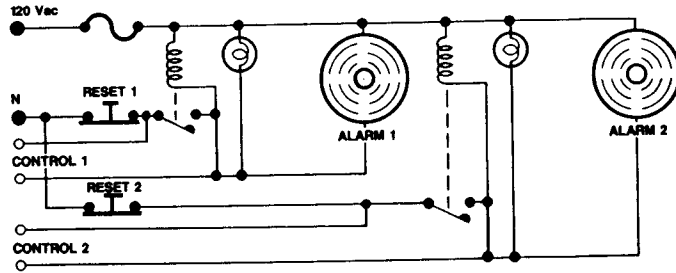


Figure 2. Dual Temperature Alarm

SPECIFICATIONS

MAXIMUM VOLTAGE: 120 VAC
SURGE VOLTAGE: 20% over maximum rated voltage applied for less than five minutes

LIFE SPECIFICATIONS

CONTINUOUS: 100 hrs. continuous operation at 149°F (65°C) with maximum rated voltage applied

INTERMITTENT: A duty cycle of one minute on, five minutes off, a minimum of 5000 times at room temperature and maximum rated voltage applied

LIFE EXPECTANCY: Ten years under normal operating conditions

STORAGE TEMPERATURE: -40° to 185°F (-40° to +85°C)

OPERATING TEMPERATURE: -22° to 149°F (-30° to +65°C)

HUMIDITY: Should operate after having been subjected to 95% relative humidity at +104°F (+40°C) continuously for 100 hrs. After removal from high humidity, the unit should be allowed to dry for a minimum of four hours at room temperature before operation.

**Servicing USA and Canada: Call OMEGA Toll Free
OMEGA Engineering, Inc.**

One Omega Drive, Box 4047
Stamford, CT 06907-0047 U.S.A.
Headquarters: (203) 359-1660

Sales: 1-800-826-6342 / 1-800-TC-OMEGA

Customer Service: 1-800-622-2378 / 1-800-622-BEST

Engineering: 1-800-872-9436 / 1-800-USA-WHEN

FAX: (203) 359-7700 TELEX: 996404 EASYLINK: 62968934 CABLE: OMEGA

**Servicing Europe: United Kingdom Sales and Distribution Center
OMEGA Technologies Ltd.**

P.O. Box 1, Broughton Astley, Leicestershire LE9 6XR, England
Telephone: (0455) 285520 FAX: (0455) 283912

WARRANTY

OMEGA warrants this unit to be free of defects in materials and workmanship and to give satisfactory service for a period of **13 months** from date of purchase. OMEGA Warranty adds an additional one (1) month grace period to the normal **one (1) year product warranty** to cover handling and shipping time. This ensures that our customers receive maximum coverage on each product. If the unit should malfunction, it must be returned to the factory for evaluation. Our Customer Service Department will issue an Authorized Return (AR) number immediately upon phone or written request. Upon examination by OMEGA, if the unit is found to be defective it will be repaired or replaced at no charge. However, this WARRANTY is VOID if the unit shows evidence of having been tampered with or shows evidence of being damaged as a result of excessive corrosion; or current, heat, moisture or vibration; improper specification; misapplication; misuse or other operating conditions outside of OMEGA's control. Components which wear or which are damaged by misuse are not warranted. These include contact points, fuses, and triacs.

We are glad to offer suggestions on the use of our various products. Nevertheless OMEGA only warrants that the parts manufactured by it will be as specified and free of defects.

OMEGA MAKES NO OTHER WARRANTIES OR REPRESENTATIONS OF ANY KIND WHATSOEVER, EXPRESSED OR IMPLIED, EXCEPT THAT OF TITLE AND ALL IMPLIED WARRANTIES INCLUDING ANY WARRANTY OF MERCHANTABILITY AND FITNESS FOR A PARTICULAR PURPOSE ARE HEREBY DISCLAIMED.

LIMITATION OF LIABILITY: The remedies of buyer set forth herein are exclusive and the total liability of OMEGA with respect to this order, whether based on contract, warranty, negligence, indemnification, strict liability or otherwise, shall not exceed the purchase price of the component upon which liability is based. In no event shall OMEGA be liable for consequential, incidental or special damages.

Every precaution for accuracy has been taken in the preparation of this manual, however, OMEGA ENGINEERING, INC. neither assumes responsibility for any omissions or errors that may appear nor assumes liability for any damages that result from the use of the products in accordance with the information contained in the manual.

RETURN REQUESTS / INQUIRIES

Direct all warranty and repair requests/inquiries to the OMEGA ENGINEERING Customer Service Department. Call toll free in the USA and Canada: 1-800-622-2378, FAX: 203-359-7811; International: 203-359-1660, FAX: 203-359-7807.

BEFORE RETURNING ANY PRODUCT(S) TO OMEGA, YOU MUST OBTAIN AN AUTHORIZED RETURN (AR) NUMBER FROM OUR CUSTOMER SERVICE DEPARTMENT (IN ORDER TO AVOID PROCESSING DELAYS). The assigned AR number should then be marked on the outside of the return package and on any correspondence. Please have the following information available BEFORE contacting OMEGA:

1. P.O. number under which the product was PURCHASED,
2. Model and serial number of the product, and
3. Repair instructions and/or specific problems you are having with the product.

OMEGA's policy is to make running changes, not model changes, whenever an improvement is possible. That way our customers get the latest in technology and engineering.

OMEGA is a registered trademark of OMEGA ENGINEERING, INC.

© Copyright 1992 OMEGA ENGINEERING, INC. All rights reserved including illustrations. Nothing in this manual may be reproduced in any manner, either wholly or in part for any purpose whatsoever without written permission from OMEGA ENGINEERING, INC. Printed in U.S.A.