

OS-880-121 QUICK Start Guide

Battery Installation

Open the battery compartment (Fig. 1) on the front of the device by pulling in the direction of the arrow (Fig. 2)



Fig. 1

Fig. 2

Fig. 3

Insert a 9V battery into the battery holder (Fig. 3)

Once battery is installed, close the lid battery compartment. Please avoid pinching battery wires.

How to turn on the unit

- Press the trigger of device to power on
- Reading will be continually display in real-time but will “lock” on last seen reading when trigger is released

Switch between Celsius and Fahrenheit

The default setting for the temperature unit is in Celsius. To change to Fahrenheit, please follow these steps:

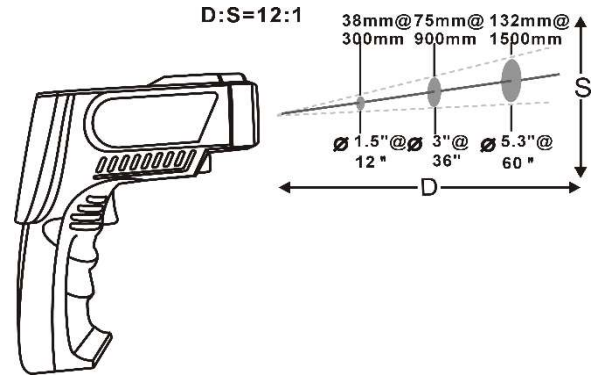
- Turn unit “on” by pressing trigger
- Press the “T/DN” button to toggle to °F (see image)



- Repeat the process to toggle back to °C

Field of view

- Field of view, or distance to spot ratio, is the size of an area that can be measured from a specified distance. As the distance from the object increases, the spot size of the measuring area becomes larger. Make sure the target is larger than the unit’s spot size. Please see field of view diagram for the OS-880-121 below.



Emissivity

- Emissivity describes how well an object can emit IR energy. The OS-880-121 has adjustable emissivity from 0.10 to 1.00.

Material	Emissivity	Material	Emissivity
Aluminum	0.30	Iron	0.70
Asbestos	0.95	Lead	0.50
Asphalt	0.95	Limestone	0.98
Brass	0.50	Paint	0.93
Brick	0.90	Paper	0.95
Carbon	0.85	Plastic	0.95
Ceramic	0.95	Rubber	0.95
Concrete	0.95	Sand	0.90
Copper	0.95	Skin	0.98
Dirt	0.94	Snow	0.90
Frozen Food	0.90	Steel	0.80
Hot food	0.93	Textiles	0.94
Glass (plate)	0.85	Water	0.93
Ice	0.98	Wood	0.94

Contact Information: If you need technical support, please call 1-888-826-6342.