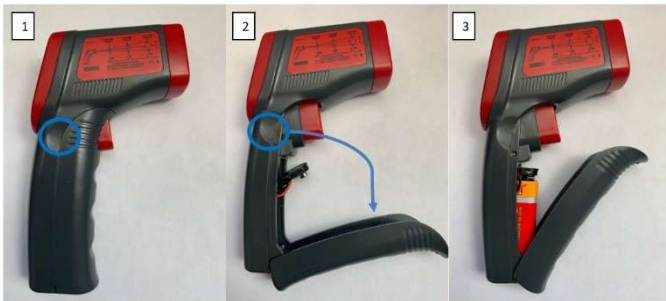


# OS-303-121 QUICK Start Guide

## Battery Installation

Grab the sides of the battery compartment (1) and pull open (2). Install battery correctly to positive and negative terminals, insert into battery compartment and close compartment door (3). Pull the trigger and LCD display will turn on and display reading and battery icon.



## How to turn on the unit

- Press the trigger of device to power on

## Switch between Celsius and Fahrenheit

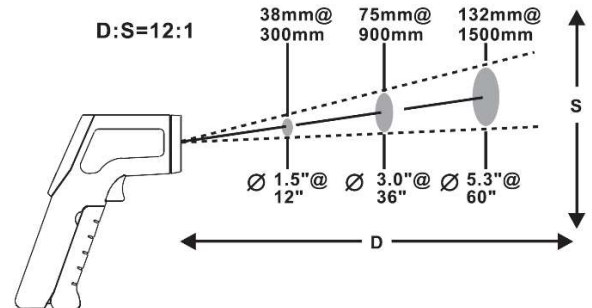
The default setting for the temperature unit is in Celsius. Please follow the below steps to change the temperature units to Fahrenheit.

- Press the temperature unit switch button as shown in the image to toggle between Fahrenheit and Celsius.



## Field of view

- Field of view, or distance to spot ratio, is the size of an area that can be measured from a specified distance. As the distance from the object increases, the spot size of the measuring area becomes larger. Make sure the target is larger than the unit's spot size. Please see field of view diagram for the OS303-Series below.



## Emissivity

- This is how well an object can emit IR energy. The OS-303-121 has fixed emissivity at 0.95.

Material	Emissivity	Material	Emissivity
Aluminum	0.30	Iron	0.70
Asbestos	0.95	Lead	0.50
Asphalt	0.95	Limestone	0.98
Basalt	0.70	Oil	0.94
Brass	0.50	Paint	0.93
Brick	0.90	Paper	0.95
Carbon	0.85	Plastic	0.95
Ceramic	0.95	Rubber	0.95
Concrete	0.95	Sand	0.90
Copper	0.95	Skin	0.98
Dirt	0.94	Snow	0.90
Frozen Food	0.90	Steel	0.80
Hot food	0.93	Textiles	0.94
Glass (plate)	0.85	Water	0.93
Ice	0.98	Wood	0.94

## Contact Information

If you need technical support, please call 1-888-826-6342.