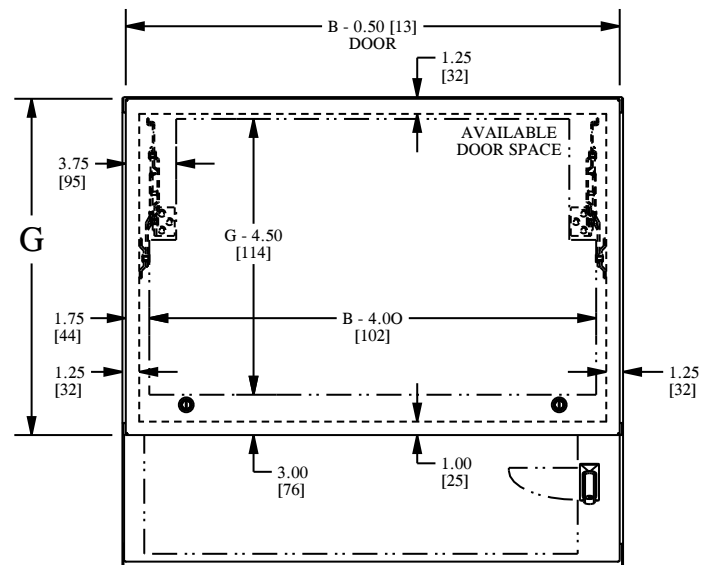
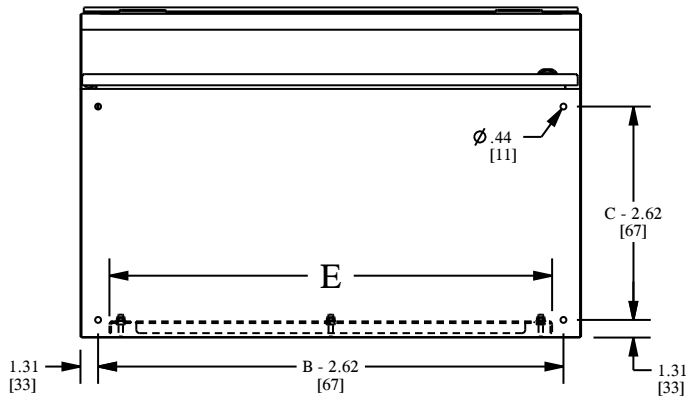
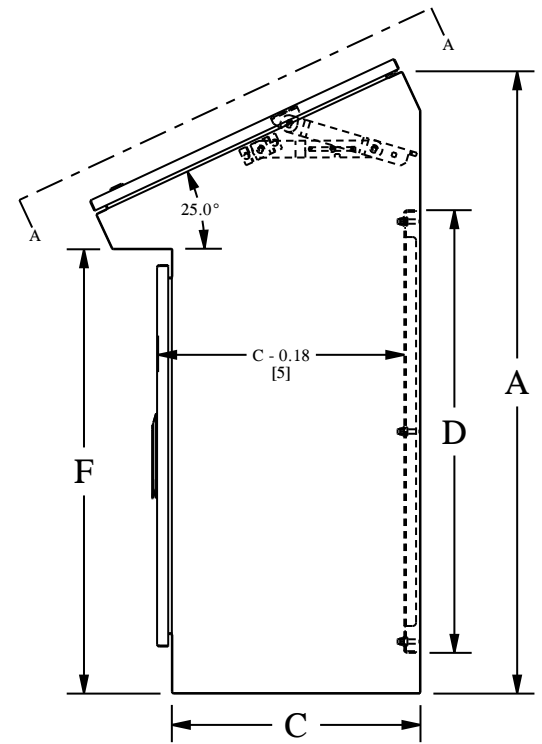
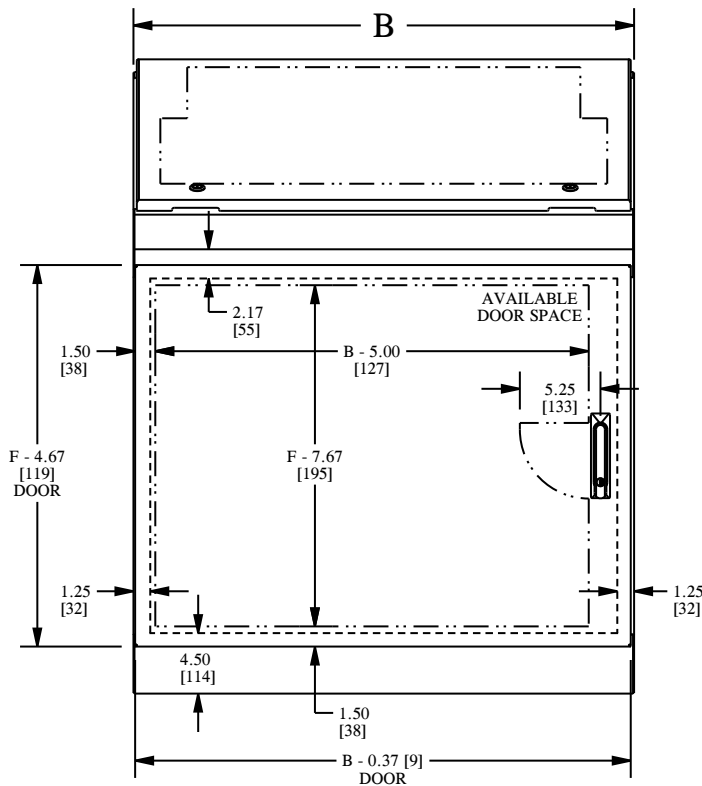


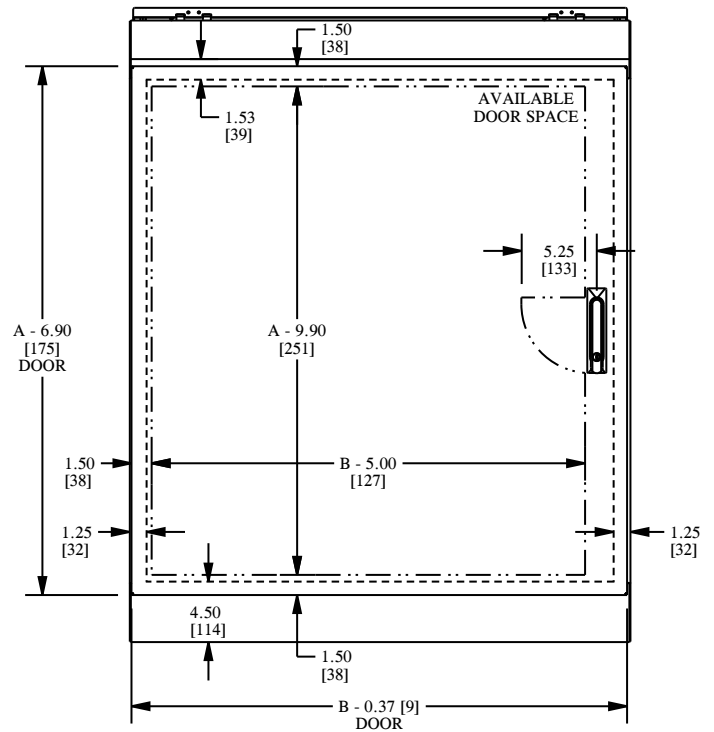
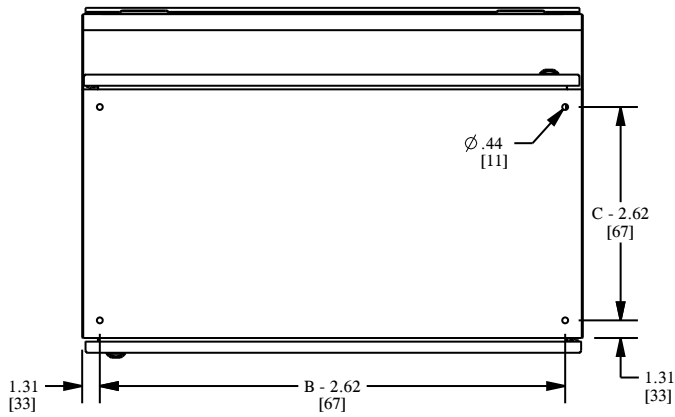
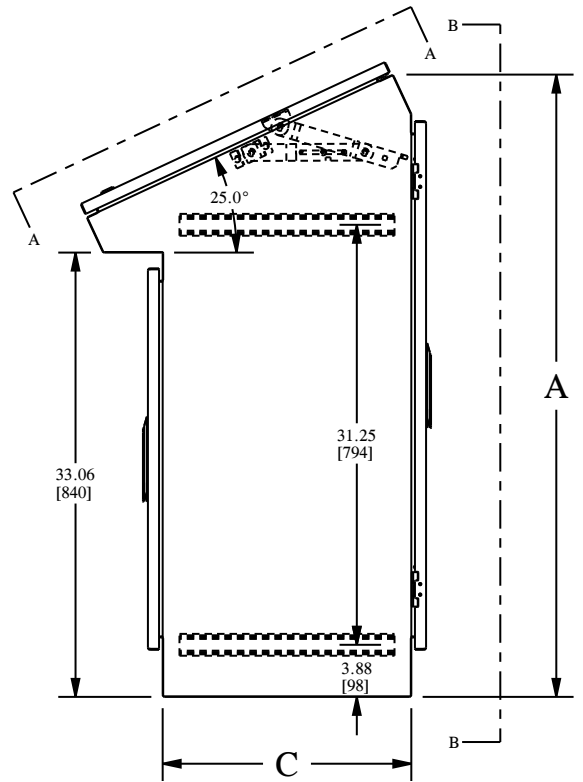
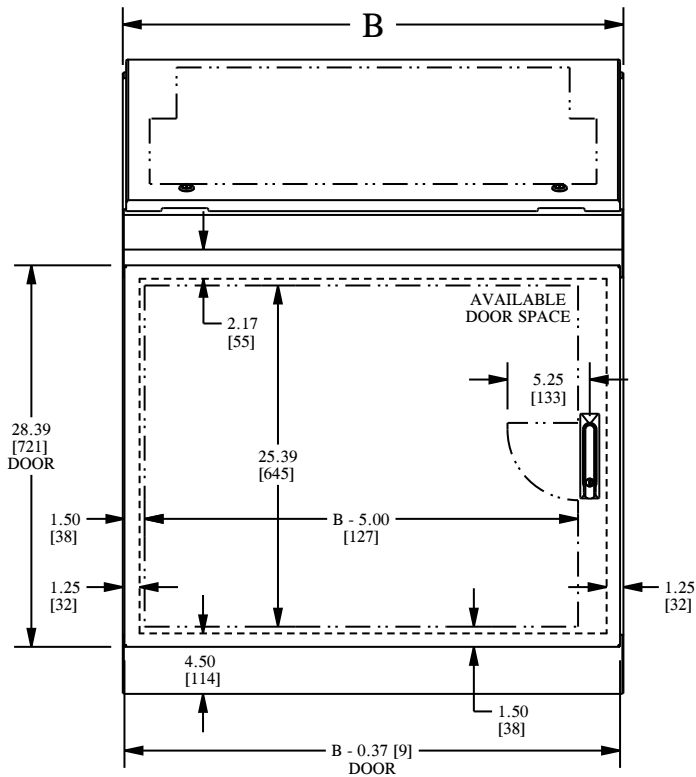
Single Door Front Access



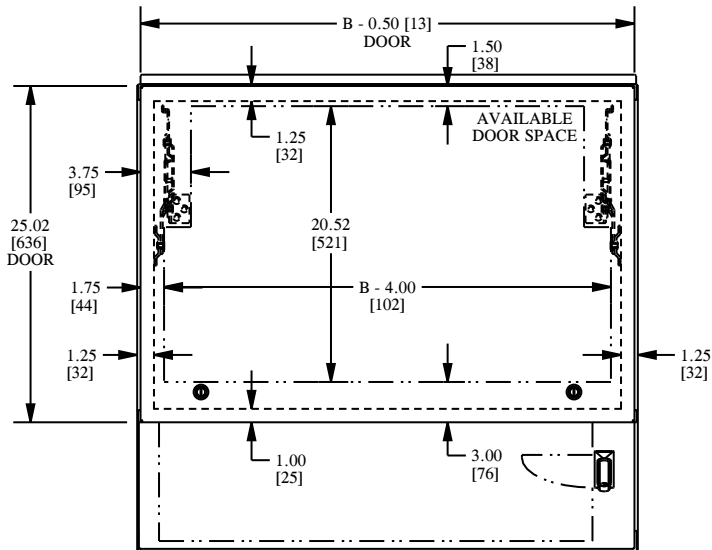
VIEW A-A

	Height (A) in	Width (B) in	Depth (C) in	Sub-panel	Height (D) in	Width (E) in	(F)	(G)
SCE-402516SDC	40.25	25.25	15.5	SCE-30P24	27	21	28.46	21.71
SCE-403716SDC	40.25	37.25	15.5	SCE-36P30	33	27	28.46	21.71
SCE-462519SDC	46.25	25.25	18.5	SCE-36P24	33	21	33.06	25.02
SCE-463719SDC	46.25	37.25	18.5	SCE-36P36	33	33	33.06	25.02

Single Door with Front and Rear Access



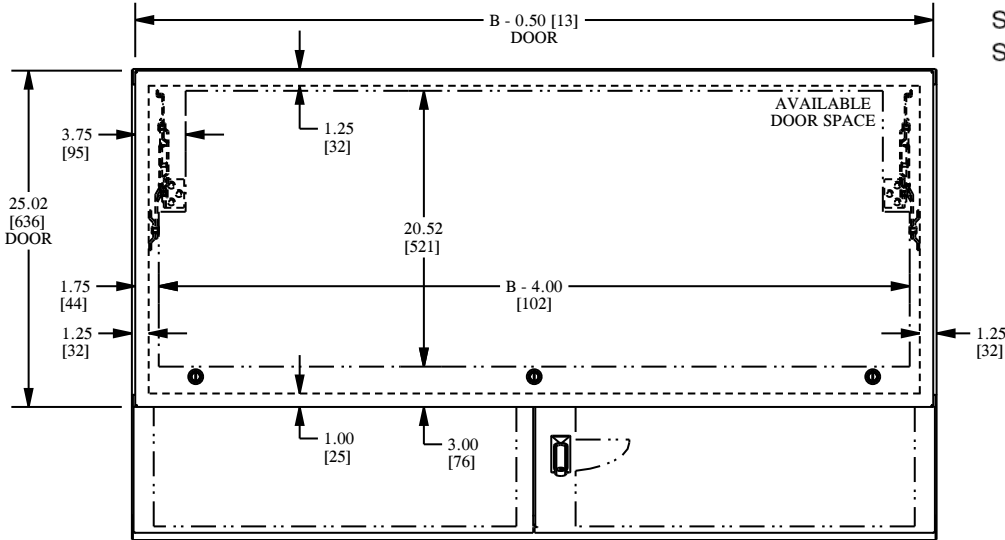
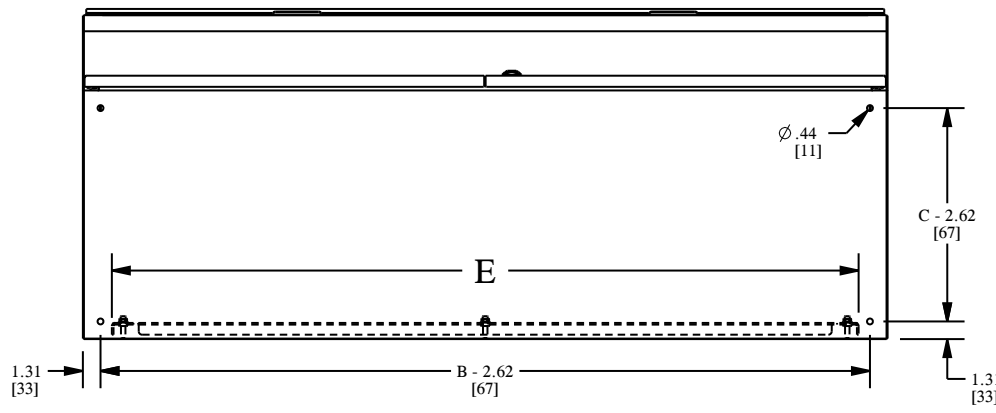
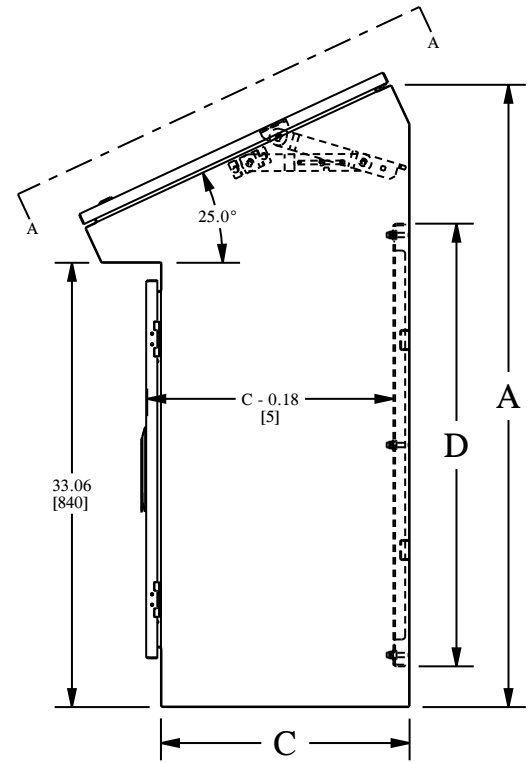
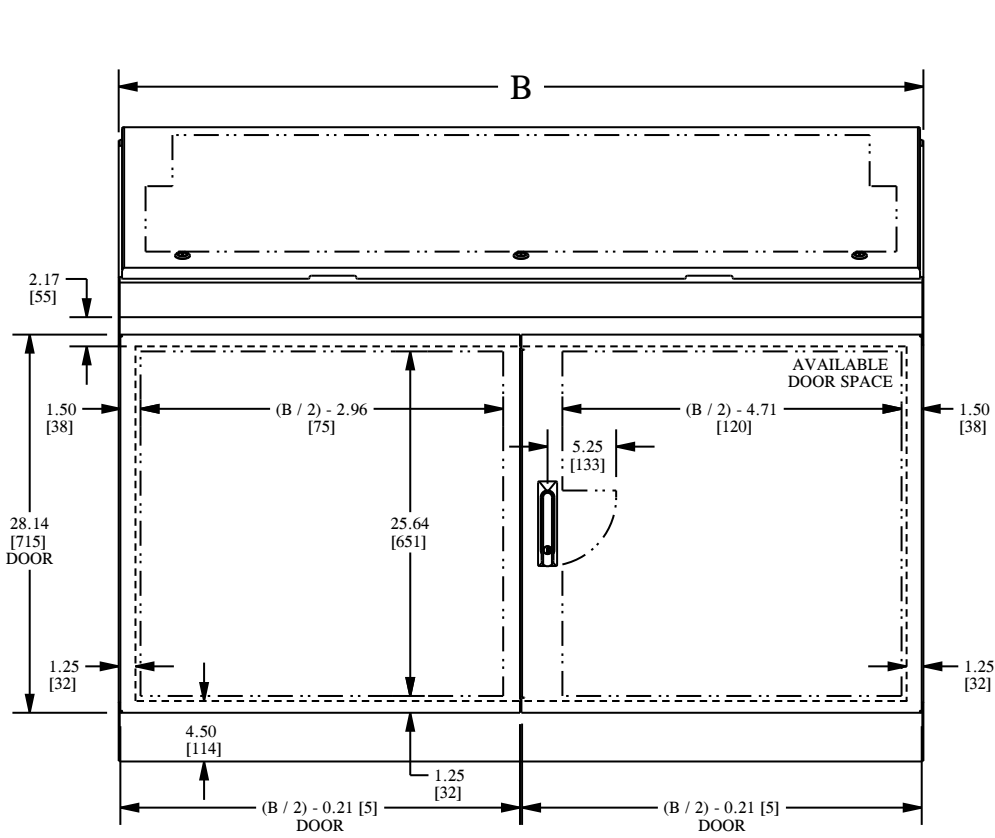
VIEW B-B



VIEW A-A

Model	Height (A) in	Width (B) in	Depth (C) in	Sub-panel	Height (D) in	Width (E) in
SCE-462519DC	46.25	25.25	18.5	SCE-36P24	33	21
SCE-463719DC	46.25	37.25	18.5	SCE-36P36	33	33

Overlapping Two Door Front Access

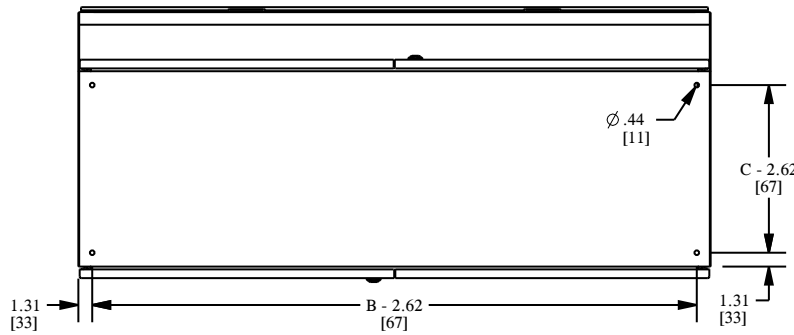
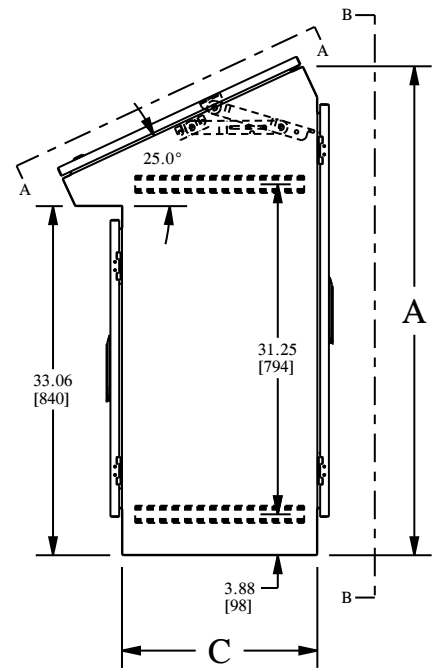
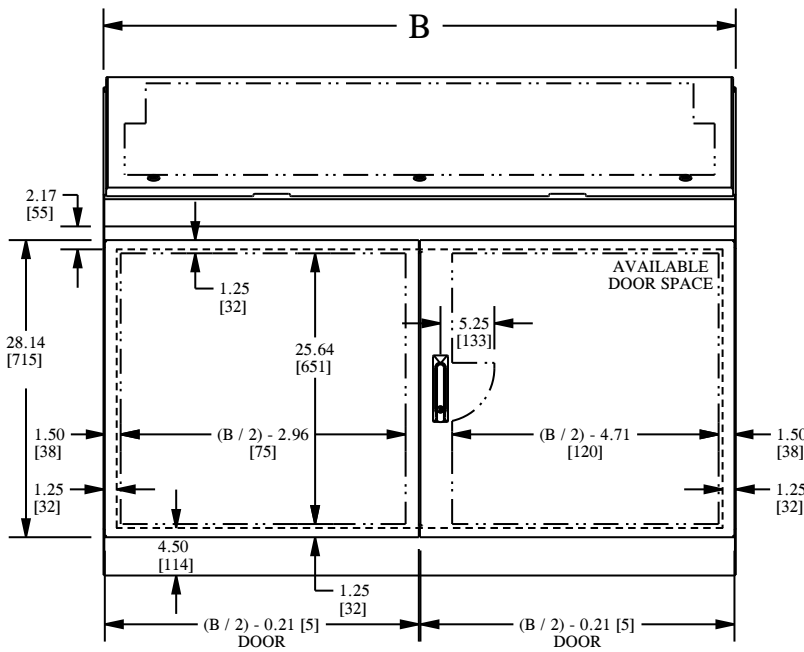


Model	Height (A) in	Width (B) in	Depth (C) in
SCE-464919DC	46.25	49.25	18.5
SCE-466019DC	46.25	59.88	18.5

Sub-panel	Height (D) in	Width (E) in
SCE-48P36	45	33
SCE-60PC36	55.63	33

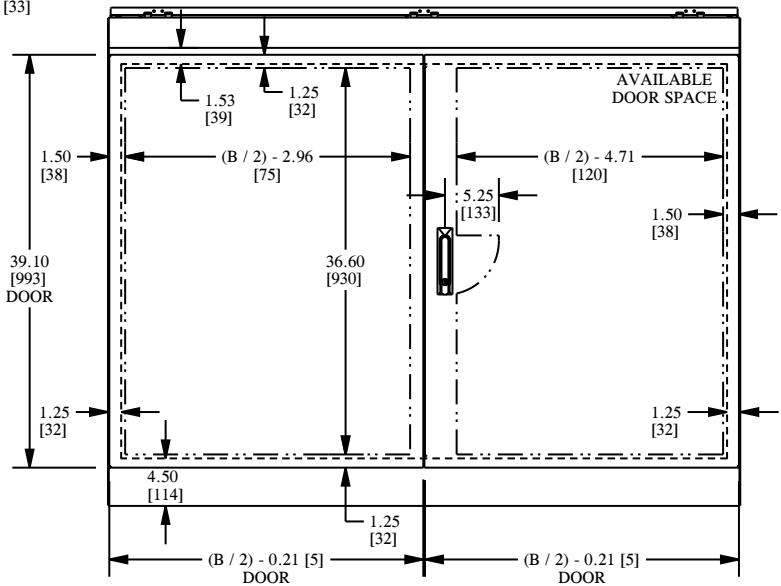
VIEW A-A

Overlapping Two Door - Front and Rear Access

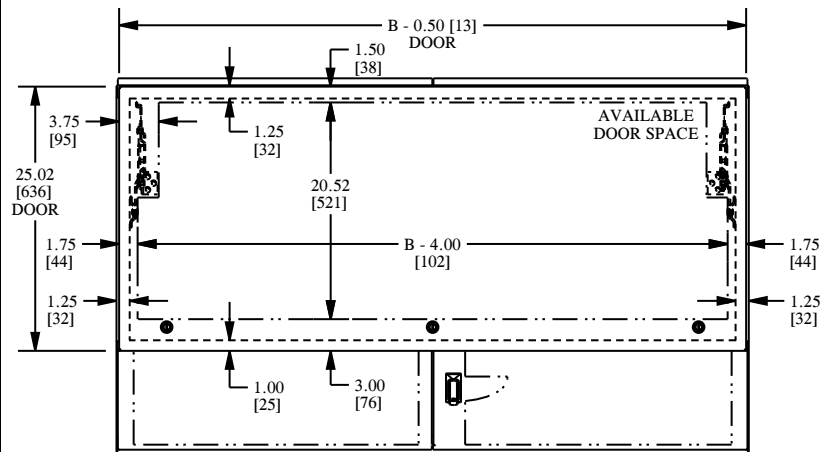


Model	Height (A) in	Width (B) in	Depth (C) in
SCE-464919DC	46.25	49.25	18.5
SCE-466019DC	46.25	59.88	18.5

Sub-panel	Height (D) in	Width (E) in
SCE-48P36	45	33
SCE-60PC36	55.63	33

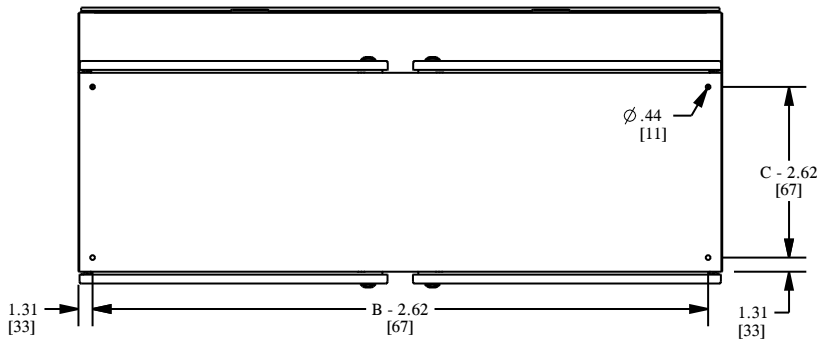
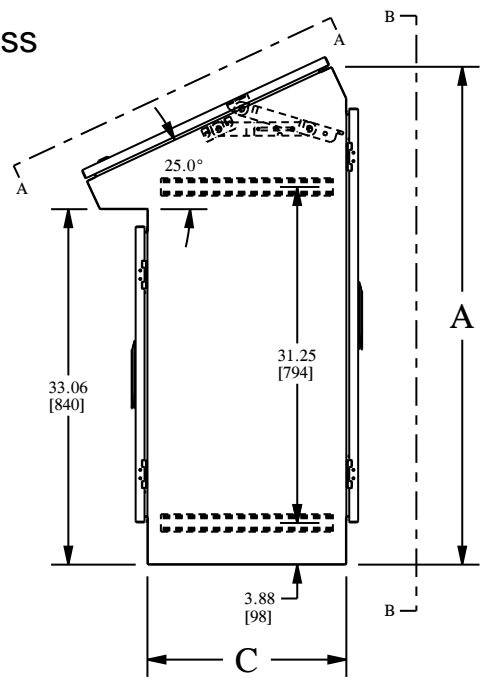
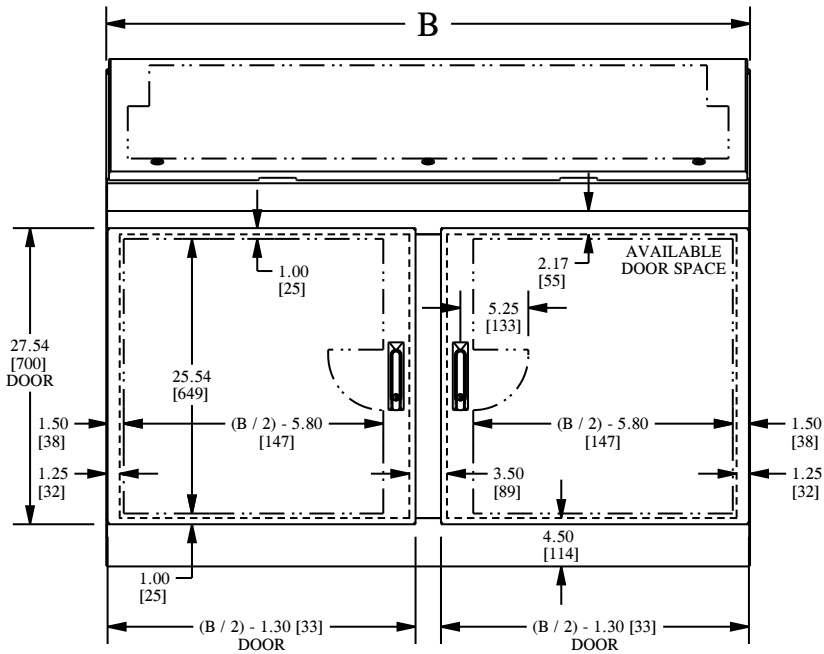


VIEW B-B



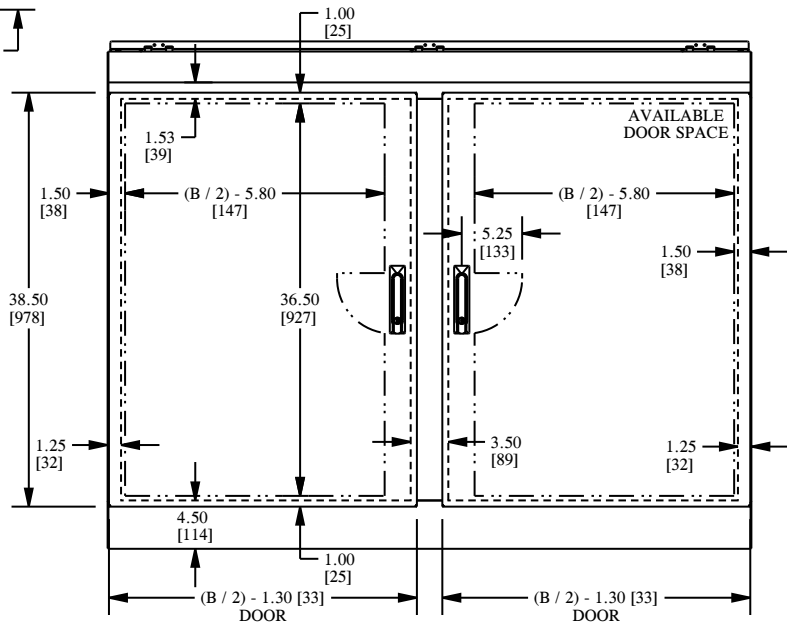
VIEW A-A

Two Door with Center Channel - Front and Rear Access

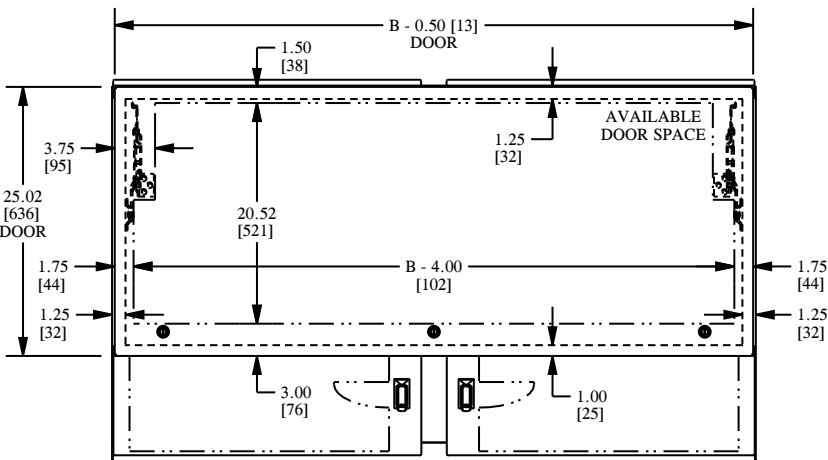


Model	Height (A) in	Width (B) in	Depth (C) in
SCE-464919DCC	46.25	49.25	18.5
SCE-466019DCC	46.25	59.88	18.5

Sub-panel	Height (D) in	Width (E) in
SCE-48P36	45	33
SCE-60PC36	55.63	33



VIEW B-B



VIEW A-A