

WARRANTY/DISCLAIMER

OMEGA ENGINEERING, INC. warrants this unit to be free of defects in materials and workmanship for a period of **13 months** from date of purchase. OMEGA's WARRANTY adds an additional one (1) month grace period to the normal **one (1) year product warranty** to cover handling and shipping time. This ensures that OMEGA's customers receive maximum coverage on each product.

If the unit malfunctions, it must be returned to the factory for evaluation. OMEGA's Customer Service Department will issue an Authorized Return (AR) number immediately upon phone or written request. Upon examination by OMEGA, if the unit is found to be defective, it will be repaired or replaced at no charge. OMEGA's WARRANTY does not apply to defects resulting from any action of the purchaser, including but not limited to mishandling, improper interfacing, operation outside of design limits, improper repair, or unauthorized modification. This WARRANTY is VOID if the unit shows evidence of having been tampered with or shows evidence of having been damaged as a result of excessive corrosion; or current, heat, moisture or vibration; improper specification; misapplication; misuse or other operating conditions outside of OMEGA's control. Components in which wear is not warranted, include but are not limited to contact points, fuses, and triacs.

OMEGA is pleased to offer suggestions on the use of its various products. However, OMEGA neither assumes responsibility for any omissions or errors nor assumes liability for any damages that result from the use of its products in accordance with information provided by OMEGA, either verbal or written. OMEGA warrants only that the parts manufactured by the company will be as specified and free of defects. OMEGA MAKES NO OTHER WARRANTIES OR REPRESENTATIONS OF ANY KIND WHATSOEVER, EXPRESSED OR IMPLIED, EXCEPT THAT OF TITLE, AND ALL IMPLIED WARRANTIES INCLUDING ANY WARRANTY OF MERCHANTABILITY AND FITNESS FOR A PARTICULAR PURPOSE ARE HEREBY DISCLAIMED. LIMITATION OF LIABILITY: The remedies of purchaser set forth herein are exclusive, and the total liability of OMEGA with respect to this order, whether based on contract, warranty, negligence, indemnification, strict liability or otherwise, shall not exceed the purchase price of the component upon which liability is based. In no event shall OMEGA be liable for consequential, incidental or special damages.

CONDITIONS: Equipment sold by OMEGA is not intended to be used, nor shall it be used: (1) as a "Basic Component" under 10 CFR 21 (NRC), used in or with any nuclear installation or activity; or (2) in medical applications or used on humans. Should any Product(s) be used in or with any nuclear installation or activity, medical application, used on humans, or misused in any way, OMEGA assumes no responsibility as set forth in our basic WARRANTY/DISCLAIMER language, and, additionally, purchaser will indemnify OMEGA and hold OMEGA harmless from any liability or damage whatsoever arising out of the use of the Product(s) in such a manner.

RETURN REQUESTS/INQUIRIES

Direct all warranty and repair requests/inquiries to the OMEGA Customer Service Department. BEFORE RETURNING ANY PRODUCT(S) TO OMEGA, PURCHASER MUST OBTAIN AN AUTHORIZED RETURN (AR) NUMBER FROM OMEGA'S CUSTOMER SERVICE DEPARTMENT (IN ORDER TO AVOID PROCESSING DELAYS). The assigned AR number should then be marked on the outside of the return package and on any correspondence.

FOR **WARRANTY** RETURNS, please have the following information available BEFORE contacting OMEGA:

1. Purchase Order number under which the product was PURCHASED,
2. Model and serial number of the product under warranty, and
3. Repair instructions and/or specific problems relative to the product.

FOR **NON-WARRANTY** REPAIRS, consult OMEGA for current repair charges. Have the following information available BEFORE contacting OMEGA:

1. Purchase Order number to cover the COST of the repair or calibration,
2. Model and serial number of the product, and
3. Repair instructions and/or specific problems relative to the product.

OMEGA's policy is to make running changes, not model changes, whenever an improvement is possible. This affords our customers the latest in technology and engineering.

OMEGA is a registered trademark of OMEGA ENGINEERING, INC. © Copyright 2013 OMEGA ENGINEERING, INC. All rights reserved. This document may not be copied, photocopied, reproduced, translated, or reduced to any electronic medium or machine-readable form, in whole or in part, without the prior written consent of OMEGA ENGINEERING, INC.

5

Display Functions and Settings

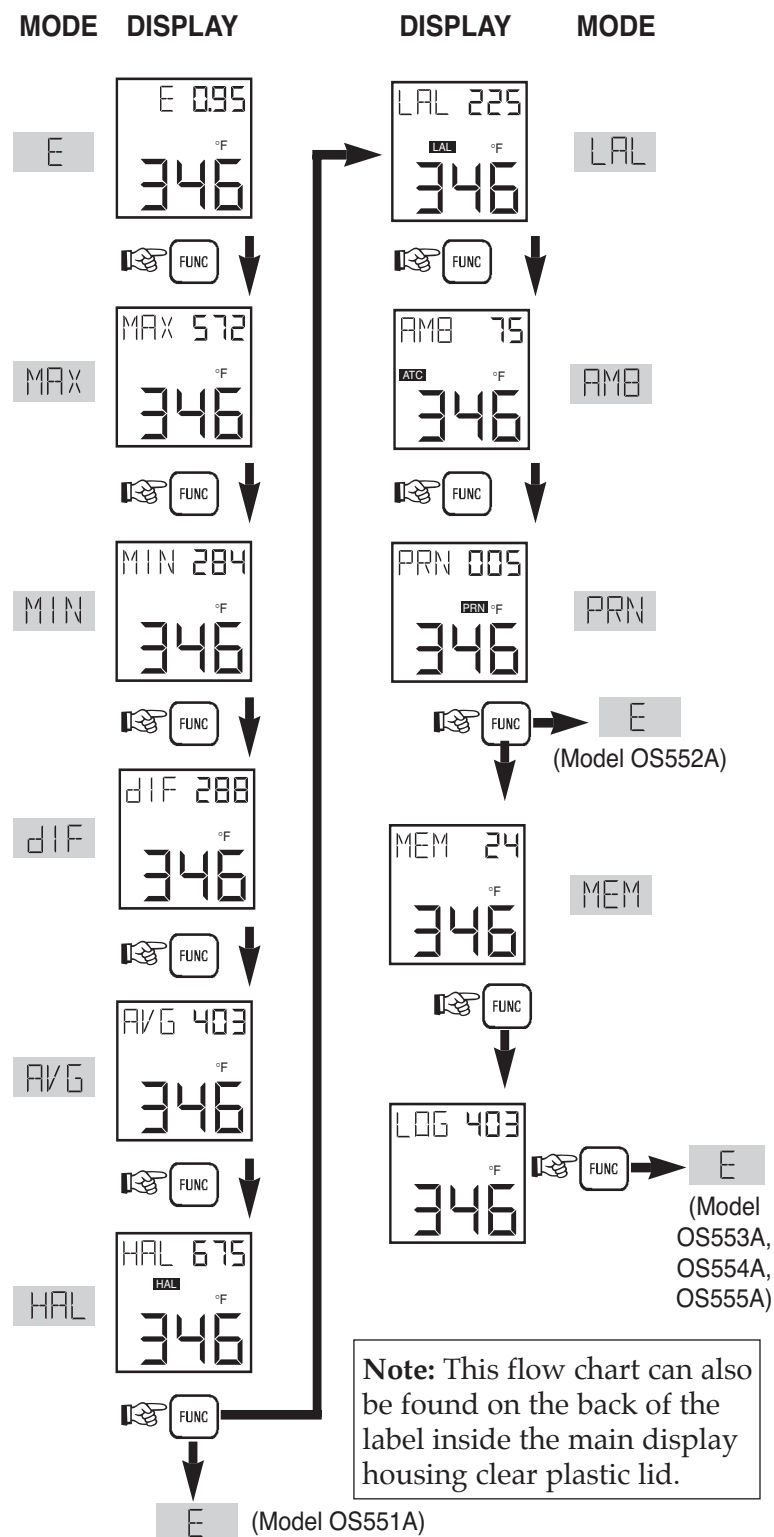
Refer to the following charts to change the display mode to access complete functionality.

Display Mode:	Display shows:	Press FUNC to...:	Press SET to...:	Press or to...:
E	Current temperature Emissivity	Go to MAX	Reset MAX, MIN, DIF, AVG, temperatures	Set Emissivity
MAX	Current temperature Maximum temperature	Go to MIN		Press to change between °F/°C
MIN	Current temperature Minimum temperature	Go to DIF		Press to turn LCD backlight ON or OFF
DIF	Current temperature Differential temperature	Go to AVG		
AVG	Current temperature Average temperature	Go to HRL		
HRL	Current temperature High alarm setpoint	Go to LAL or E	ACTIVATE/DEACTIVATE HRL	Set High alarm value
LAL	Current temperature Low alarm setpoint	Go to AMB	ACTIVATE/DEACTIVATE LAL	Set Low alarm value
AMB	Current temperature Ambient target temperature	Go to PRN	ACTIVATE/DEACTIVATE AMB	Set target ambient temperature
PRN	Current temperature Print interval	Go to MEM or E	ACTIVATE/DEACTIVATE PRN	Set data transmission interval
MEM	Current temperature Memory location	Go to E		Review stored data
LOG	Current temperature Logging	Go to E	Turn ON/OFF Logging	

OS551A OS552A OS553A, OS554A, OS555A

Display Function Flow Chart

6



Note: This flow chart can also be found on the back of the label inside the main display housing clear plastic lid.

Visual Function Flow Chart

It is the policy of OMEGA Engineering, Inc. to comply with all worldwide safety and EMC/EMI regulations that apply. OMEGA is constantly pursuing certification of its products to the European New Approach Directives. OMEGA will add the CE mark to every appropriate device upon certification.

The information contained in this document is believed to be correct, but OMEGA accepts no liability for any errors it contains, and reserves the right to alter specifications without notice.

WARNING: These products are not designed for use in, and should not be used for, human applications.

QUICK START

For complete product manual:
www.omega.com/manuals/manualpdf/M2830A.pdf



OS550A/OS550AM OS550A-BB SERIES Industrial Infrared Thermometer/Transmitter



omega.com info@omega.com

Servicing North America:

U.S.A.: OMEGA Engineering, Inc., One Omega Dr.
P.O. Box 4047, Stamford, CT 06905-0047 USA
Toll-Free: 1-800-826-6342 (USA & Canada Only)
Customer Service: 1-800-622-2378 (USA & Canada Only)
Engineering Service: 1-800-872-9436 (USA & Canada Only)
Tel: (203) 359-1660 Fax: (203) 359-7700
e-mail: info@omega.com

Canada: Toll-Free: 1-800-826-6342 (USA & Canada Only)
Tel: (514) 856-6928 Fax: (514) 856-6886
e-mail: generalinfo@omega.ca Web: www.omega.com

Servicing Mexico and Latin America:

Mexico/Latin America: Tel: 001-800-099-0420 (Mexico Only)
Tel: 001-203-359-7577 (Outside Mexico) Fax: 001 (203) 968-7290
e-mail: ventas@mx.omega.com Web: mx.omega.com

Servicing Asia:

China: Hotline: (+86) 800 819 0559, (+86) 400 619 0559
e-mail: info@cn.omega.com Web: cn.omega.com

Servicing Europe:

France: Freephone: 0805 541 038 (France only)
Tel: 01 57 32 48 17 Fax: 01 57 32 48 18
e-mail: esales@omega.fr Web: www.omega.fr

Germany/Austria: Freephone: 0800 826 6342 (Germany only)
Tel: +49 (0)7056 9398-0 Fax: +49 (0) 7056 9398-29
e-mail: info@omega.de Web: www.omega.de

Italy: Freephone: 800 906 907 (Italy only)
Tel: +39 022 333 1521 Fax: +39 022 333 1522
e-mail: commerciale@it.omega.com Web: it.omega.com

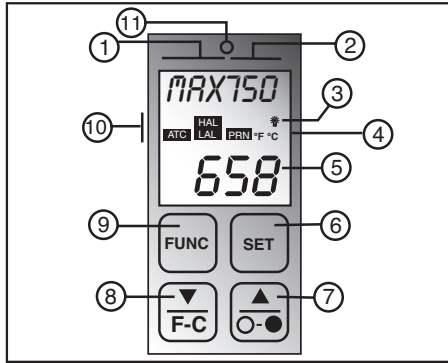
Netherlands/Benelux: Freephone: 0800 099 33 44 (Netherlands only)
Tel: +31 070 770 3815 FAX: +31 070 770 3816
e-mail: esales@omega.nl Web: www.omega.nl

Spain: Freephone: 800 900 532 (Spain only)
Tel: +34 911 776 121 Fax: +34 911 776 122
e-mail: ventas@es.omega.com Web: es.omega.com

United Kingdom: Freephone: 0800 488 488 (United Kingdom only)
Tel: +44 (0)161 777 6611 Fax: +44 (0)161 777 6622
e-mail: sales@omega.co.uk Web: www.omega.co.uk

Using This Quick Start Manual

Use this Quick Start Manual with your OS550A series Industrial Infrared Thermometer for quick installation and to perform basic operations. For detailed information, refer to the User's Guide (Manual Number M3265).



Key	Description
①	Display Mode displays one of the following: E (Emissivity) HAL (High Alarm Setpoint) MAX (Maximum Temperature) LAL (Low Alarm Setpoint - OS552A thru OS555A) MIN (Minimum Temperature) AMB (Ambient Target Temp - OS552A thru OS555A) dIF (Differential Temperature) PRN (Print Data - OS552A, thru OS555A) AVG (Average Temperature) MEM (Store Temperature Data - OS553A thru OS555A) LOG (Log Temp Data - OS553A thru OS555A)
②	Data associated with one of the Display Modes
③	Backlighting Icon - allows the display to be viewed under low ambient light
④	Displays the units of measure in either °F or °C
⑤	Main display - displays the current temperature
⑥	Enables or Disables alarms or LOG. Resets MAX, MIN, DIF,AVG, temperatures
⑦	▲ for incrementing data; ○-● is for turning on/off the backlighting
⑧	▼ for decrementing data; °F-°C is for changing the units of measure from °F to °C or vice versa
⑨	Function key for scrolling through the display modes
⑩	Display Icons
⑪	High or Low Alarm condition LED

Install The Sensor Head:

Connect the sensor head to the main display electronics via the 15' shielded cable (included).

NOTE:

If the sensor head is used in an environment where the ambient temperature is above 122°F (50°C), the water cool jacket accessory (OS550-WC) must be used to maintain accuracy and prevent damage to the sensor head. For more information, see User's Guide Chapter 3.1.

Mounting Instructions

To mount your OS550 series unit, refer to Sections 2.2 through 2.6 of the User's Guide.

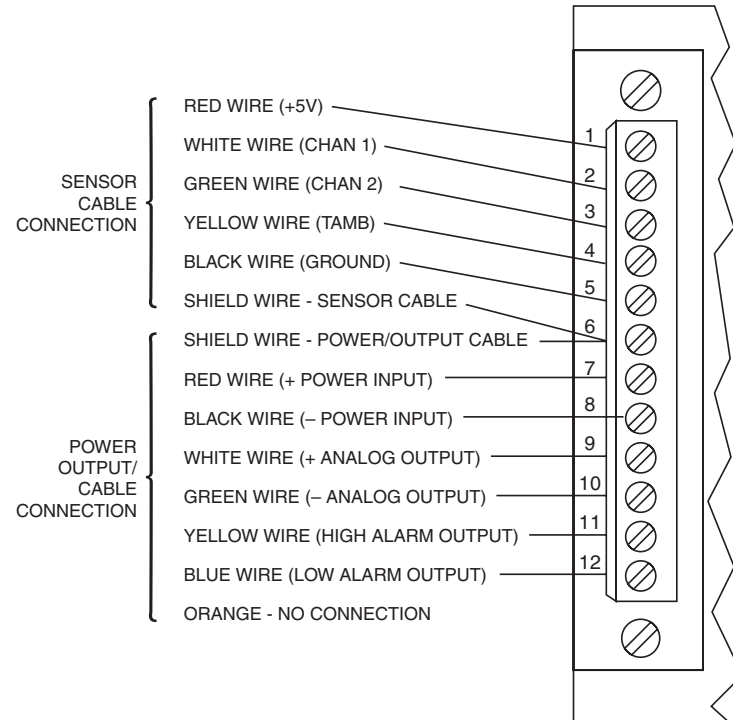
Wiring Instructions

The power/output cable included with the OS550A Series thermometer must be properly connected via the stripped wire ends. See the following diagrams for wire connections.

Cable Wire	Connection
Red	+ Power Input
Black	- Power Input
White	+ Analog Output
Green	- Analog Output
Yellow	High Alarm Output
Blue	Low Alarm Output
Orange	No Connection
Shield	Earth Ground

8-24 Vdc
1mV/Deg, 0/5 Vdc
4/20 mA

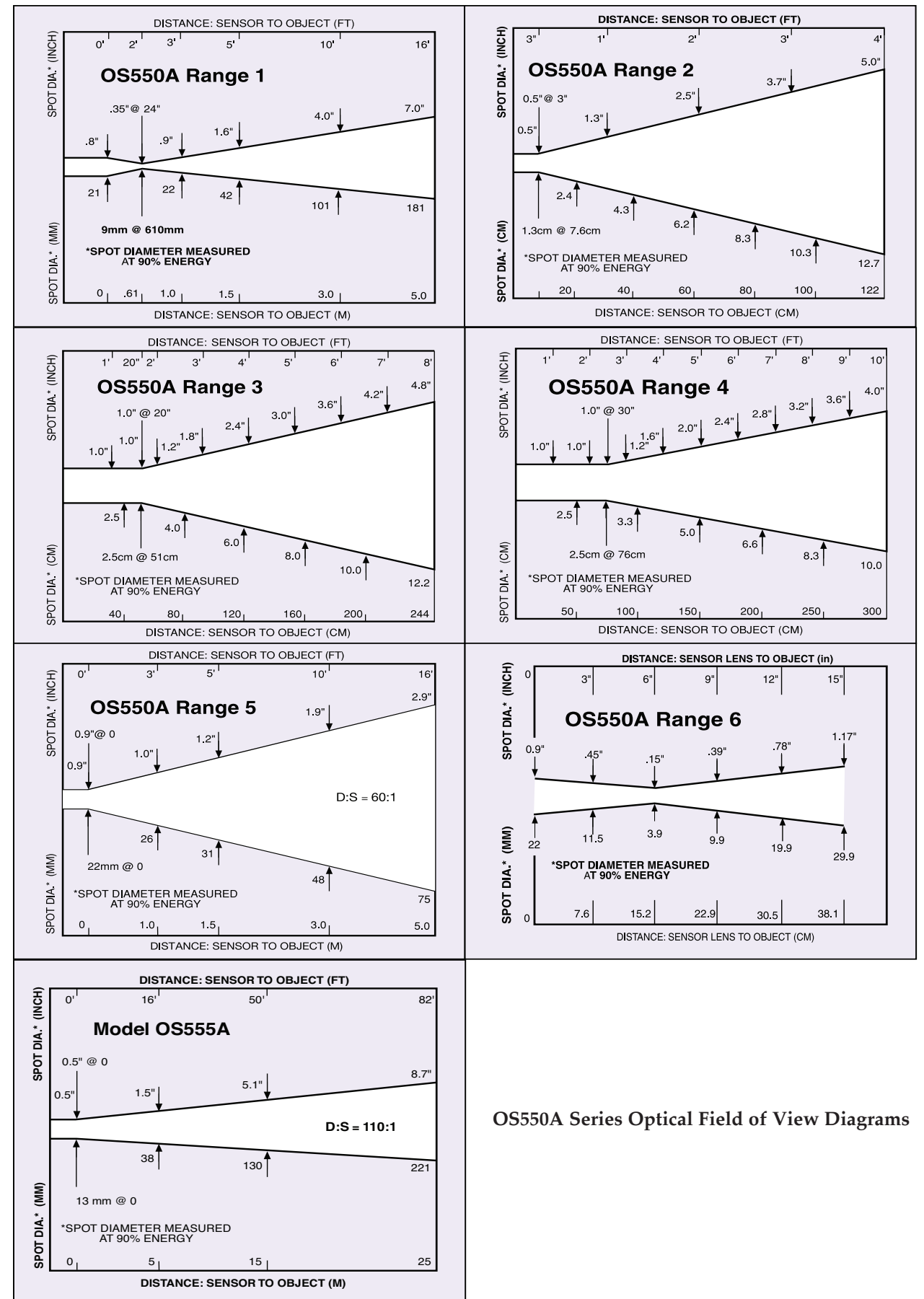
Note: Power Input and Analog output share the same common ground.



OS550A-BB Wire Connections

Aim The Sensor

The sensor head field of view should fall within the area of the target being measured. Refer to the following diagrams to determine your OS550 model's specific field of view.



OS550A Series Optical Field of View Diagrams