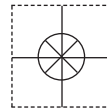


**1 YEAR**  
WARRANTY

**OMEGA CARE**  
Extended Warranty Program



# **OMEGA** User's Guide

OMB-NET6230



OMB-NET6231



**Shop online at**  
***omega.com***<sup>®</sup>

***e-mail: info@omega.com***  
***For latest product manuals:***  
***omegamanual.info***

**ISO 9001**  
CERTIFIED  
CORPORATE QUALITY  
STAMFORD, CT

**ISO 9001**  
CERTIFIED  
CORPORATE QUALITY  
MANCHESTER, UK

## **OMB-NET6230 and** **OMB-NET6231** **12-Channel Ethernet-Based** **Isolated Voltage Input Modules**



**OMEGAnet® Online Service**  
**omega.com**

**Internet e-mail**  
**info@omega.com**

### **Servicing North America:**

**U.S.A.:**  
ISO 9001 Certified

Omega Engineering, Inc., One Omega Drive, P.O. Box 4047  
Stamford, CT 06907-0047 USA

Toll Free: 1-800-826-6342  
FAX: (203) 359-7700

TEL: (203) 359-1660  
e-mail: info@omega.com

**Canada:**

976 Bergar  
Laval (Quebec), H7L 5A1 Canada  
Toll-Free: 1-800-826-6342  
FAX: (514) 856-6886

TEL: (514) 856-6928  
e-mail: info@omega.ca

### **For immediate technical or application assistance:**

**U.S.A. and Canada:** Sales Service: 1-800-826-6342/1-800-TC-OMEGA®  
Customer Service: 1-800-622-2378/1-800-622-BEST®  
Engineering Service: 1-800-872-9436/1-800-USA-WHEN®

**Mexico/  
Latin America:**

En Español: 001 (203) 359-7803  
info@omega.com.mx

FAX: 001 (203) 359-7807  
e-mail: espanol@omega.com

### **Servicing Europe:**

**Benelux:**

Managed by the United Kingdom Office  
Toll-Free: 0800 099 3344  
FAX: +31 20 643 46 43

TEL: +31 20 347 21 21  
e-mail: sales@omegaeng.nl

**Czech Republic:**

Frystatska 184  
733 01 Karviná, Czech Republic  
Toll-Free: 0800-1-66342  
FAX: +420-59-6311114

TEL: +420-59-6311899  
e-mail: info@omegashop.cz

**France:**

Managed by the United Kingdom Office  
Toll-Free: 0800 466 342  
FAX: +33 (0) 130 57 54 27

TEL: +33 (0) 161 37 29 00  
e-mail: sales@omega.fr

**Germany/Austria:**

Daimlerstrasse 26  
D-75392 Deckenpfronn, Germany  
Toll-Free: 0800 6397678  
FAX: +49 (0) 7056 9398-29

TEL: +49 (0) 7056 9398-0  
e-mail: info@omega.de

**United Kingdom:**  
ISO 9001 Certified

OMEGA Engineering Ltd.  
One Omega Drive, River Bend Technology Centre, Northbank  
Irlam, Manchester M44 5BD United Kingdom  
Toll-Free: 0800-488-488  
FAX: +44 (0) 161 777-6622

TEL: +44 (0) 161 777-6611  
e-mail: sales@omega.co.uk

---

It is the policy of OMEGA Engineering, Inc. to comply with all worldwide safety and EMC/EMI regulations that apply. OMEGA is constantly pursuing certification of its products to the European New Approach Directives. OMEGA will add the CE mark to every appropriate device upon certification.

The information contained in this document is believed to be correct, but OMEGA accepts no liability for any errors it contains, and reserves the right to alter specifications without notice.

**WARNING:** These products are not designed for use in, and should not be used for, human applications.

---

# Table of Contents

## Preface

<b>About this User's Guide .....</b>	<b>4</b>
What you will learn from this user's guide .....	4
Conventions in this user's guide .....	4
Where to find more information .....	4

## Chapter 1

<b>Introducing the OMB-NET6230 and OMB-NET6231 .....</b>	<b>5</b>
Overview: OMB-NET6230 and OMB-NET6231 features .....	5
Software requirements .....	5
Hardware requirements .....	5
OMB-NET6230 and OMB-NET6231 block diagram .....	6
What comes with your OMB-NET6230/OMB-NET6231 shipment? .....	7
Hardware .....	7
Software .....	7
Documentation .....	7
Unpacking the OMB-NET6230 and OMB-NET6231 .....	7
Installing the hardware and software .....	7
Device maintenance guidelines .....	8

## Chapter 2

<b>Functional Details .....</b>	<b>9</b>
Front panel BNC connectors .....	9
Rear panel components .....	9
Cable tie mounts .....	9
Ethernet connector .....	9
Digital I/O D-SUB connector .....	9
Chassis ground .....	9
Status LEDs .....	10
SYNC connectors .....	10
Power input connector .....	10
Power switch .....	10
Synchronization .....	10
Stacking plate and handle options .....	11
Analog input .....	12
Counter input .....	13
Encoder settings .....	13

## Chapter 3

<b>Specifications .....</b>	<b>14</b>
Analog input .....	14
Digital input/output .....	15
Counter input .....	16
Safety voltages (isolation) .....	16
Power .....	17
Mechanical .....	17
Environmental .....	17
Calibration .....	17
Accessories .....	18

## About this User's Guide

### What you will learn from this user's guide

This user's guide describes the Omega Engineering OMB-NET6230 and OMB-NET6231 data acquisition devices and lists device specifications.

### Conventions in this user's guide

#### For more information on

Text presented in a box signifies additional information and helpful hints related to the subject matter you are reading.

**Caution!** Shaded caution statements present information to help you avoid injuring yourself and others, damaging your hardware, or losing your data.

**bold text**     **Bold** text is used for the names of objects on the screen, such as buttons, text boxes, and check boxes.

*italic text*     *Italic* text is used for the names of manuals and help topic titles, and to emphasize a word or phrase.

### Where to find more information

Additional information about OMB-NET6230 and OMB-NET6231 hardware is available on our website at [www.omega.com](http://www.omega.com). You can also contact Omega Engineering by phone, fax, or email with specific questions.

- Phone: (203) 359-1660
- Fax: (203) 359-7700
- Email: [info@omega.com](mailto:info@omega.com)

---

# Introducing the OMB-NET6230 and OMB-NET6231

## Overview: OMB-NET6230 and OMB-NET6231 features

The OMB-NET6230 and OMB-NET6231 are 24-bit resolution voltage measurement devices that connect to an Ethernet port on a host computer, and can be synchronized with other OMB-NET6000 Series devices.

The OMB-NET6230 and OMB-NET6231 both provide the following features:

- Up to 12 analog input channels, each with its own internal circuitry to keep the voltage source within the common-mode range.
- Up to eight lines of digital I/O and four 32-bit counters

Signal input can be grounded or left floating through the front panel screw terminal connectors.

## Software requirements

- Windows 7 (32- or 64-bit)
- Windows Vista (32- or 64-bit)
- Windows XP SP2 (32-bit)
- Windows 2000 SP4
- Encore Software for OMB-NET6000 Series CD
- 

## Hardware requirements

Verify that you have the following items and meet or exceed the minimum requirements listed.

- OMB-NET6230 or OMB-NET6231
- OMB-NET-TR-60U power supply and cable
- Ethernet crossover cable

Use the provided Ethernet crossover cable when connecting an OMB-NET6000 Series device directly to the PC. Use a standard Ethernet cable when connecting via a hub/switch. Use a gigabit switch when connecting multiple devices.

- PC requirements:

Minimum:

- CPU: Intel® Pentium® 4, 3.0 GHz or equivalent
- RAM: 1 GB
- Monitor: 1024 × 768 screen resolution

Recommended:

- CPU: Intel® Core™ 2 Duo family
- RAM: at least 2 GB
- Monitor: 1024 × 768 screen resolution

## OMB-NET6230 and OMB-NET6231 block diagram

The 12 voltage input channels on the OMB-NET6230 and OMB-NET6231 illustrated in Figure 1.

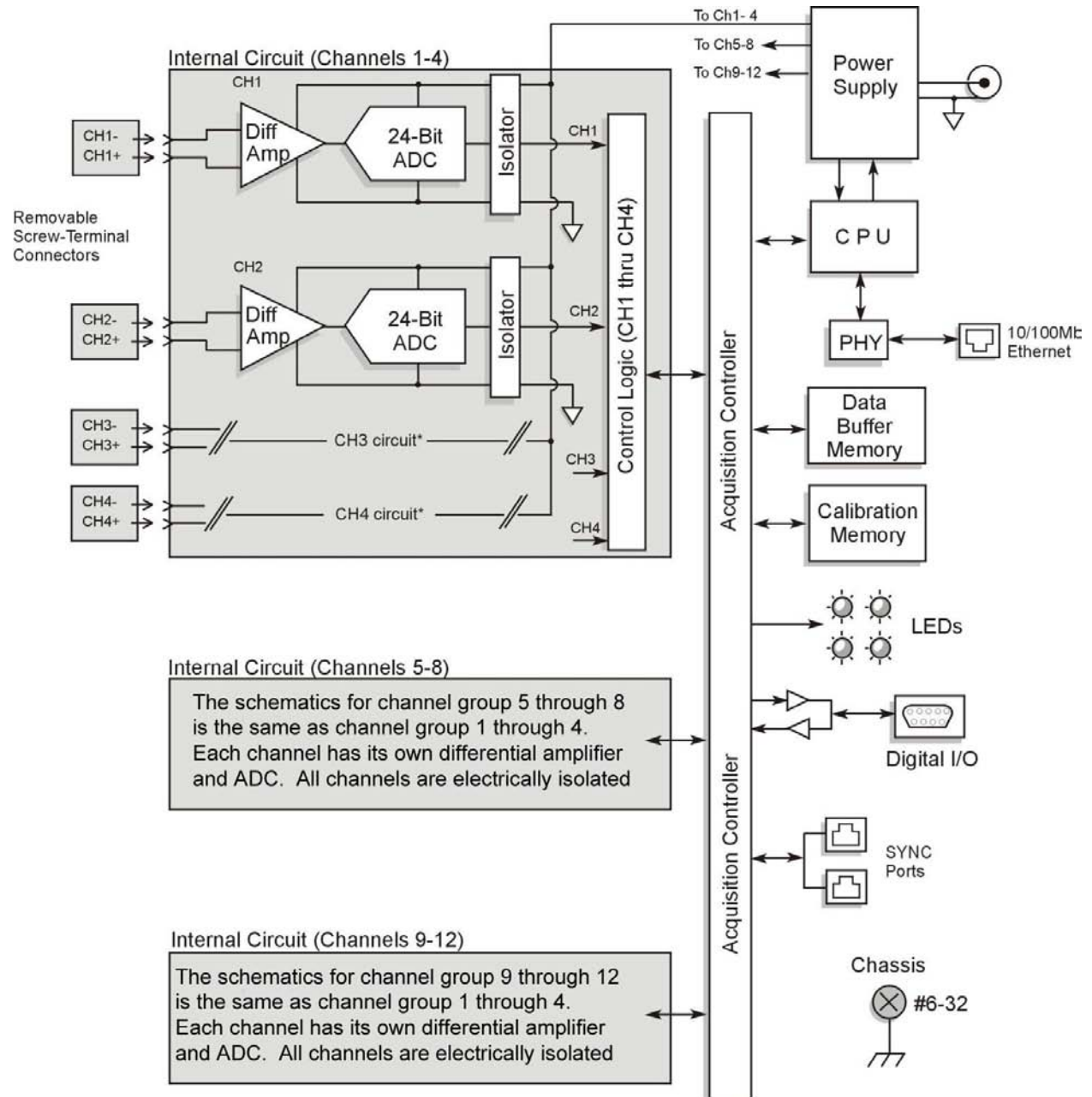


Figure 1. OMB-NET6230 and OMB-NET6231 functional block diagram

## What comes with your OMB-NET6230/OMB-NET6231 shipment?

The following items are shipped with the OMB-NET6230 and OMB-NET6231.

### Hardware

- OMB-NET6230 or OMB-NET6231



- OMB-NET-TR-60U external power supply, 90 VAC to 264 VAC
- Either a OMB-CA-1 cable (U.S. version) or a OMB-CA-216 cable (European version) for use with OMB-NET-TR-60U

### Software

Encore Software for OMB-NET6000 Series installation CD

### Documentation

In addition to this hardware user's guide, a *Quick Start* booklet is included with the OMB-NET6230 and OMB-NET6231 shipment. This booklet explains how to install and connect the OMB-NET6230 and OMB-NET6231 and install the Encore software.

## Unpacking the OMB-NET6230 and OMB-NET6231

As with any electronic device, take care while handling to avoid damage from static electricity. Before removing the OMB-NET6230 or OMB-NET6231 device from its packaging, ground yourself using a wrist strap or by simply touching the computer chassis or other grounded object to eliminate any stored static charge.

If any components are missing or damaged, notify Omega Engineering immediately by phone, fax, or e-mail.

- Phone: (203) 359-1660
- Fax: (203) 359-7700
- Email: [info@omega.com](mailto:info@omega.com)

**Note:** Before installing the OMB-NET6230 or OMB-NET6231 hardware, you must install the software you plan to use with the device.

## Installing the hardware and software

Refer to the *OMB-NET6230 and OMB-NET6231 Quick Start* for instructions on connecting your device and configuring it using Encore software.

## **Device maintenance guidelines**

OMB-NET6000 Series devices are essentially maintenance-free and need only a minimal amount of care. They should be treated much like any other high-tech piece of equipment. In general:

- Operate the devices in ventilated and relatively dust-free environments.
- Keep the units clear of harsh chemicals and abrasive elements.
- Avoid exposing the products to extreme heat – for example, avoid placing the units near boilers and furnaces.
- Avoid extreme shock and vibration.
- Avoid subjecting the device to liquids and extremely fine air particulate, such as silica dust.
- Never open the device. The device should only be opened by qualified service technicians.
- Use lint-free rags and rubbing alcohol to clean the outer surfaces of the device.



## Functional Details

### Front panel BNC connectors

The OMB-NET6230 and OMB-NET6231 front panel has twelve 2-position screw-terminal connectors for voltage signal input.



Figure 2. OMB-NET6230 and OMB-NET6231 front panel screw terminals

### Rear panel components

OMB-NET6230 and OMB-NET6231 devices have the rear panel components shown in Figure 3.



- |   |                             |   |                |   |                       |
|---|-----------------------------|---|----------------|---|-----------------------|
| 1 | Cable tie mounts            | 4 | Chassis ground | 7 | Power input connector |
| 2 | Ethernet connector          | 5 | Status LEDs    | 8 | Power switch          |
| 3 | Digital I/O D-SUB connector | 6 | SYNC ports     |   |                       |

Figure 3. OMB-NET6230 and OMB-NET6231 rear panel components

#### Cable tie mounts

Use the two cable tie mounts for cable strain relief.

#### Ethernet connector

Connect the 10/100BaseT Ethernet port to the Ethernet port of the host computer or to an Ethernet network. The Ethernet connector has two built in LEDs that indicate traffic flow on the network.

Refer to *Accessories* in the *Specifications* chapter for Ethernet cables available from Omega Engineering.

When connecting the OMB-NET6230 or OMB-NET6231 directly to a computer (not to a network hub), use an Ethernet crossover cable. The Ethernet cable length must be less than 3 m (9.8 ft) long in order for the system to be CE compliant.

#### Digital I/O D-SUB connector

Eight digital I/O lines are accessible via a 9-pin, female D-SUB connector (refer to the [Digital input/output](#) specifications on page 15 for more information).

#### Chassis ground

Provides a connection point for chassis ground through a #6-32 machine screw.

## Status LEDs

**Power**—LED is *on* when the device is connected to a sufficient power source, and the power switch is in the I (on) position.

**Boot**— When you power on the device, the **Boot** LED turns on to indicate the first stage of the boot process. When this process completes successfully, the **Boot** LED turns off. If an internal error occurs during this first stage boot process, this LED blinks. Contact Omega Engineering to arrange repair service.

**Active**—When you power on the device, the **Active** LED is off while the device boots, including network configuration. This LED blinks quickly when the boot process is complete, and then remains on.

When both the **Power** and **Active** LEDs are on, the device is in the *ready* state. When the **Active** LED blinks slowly, it indicates communication with a host computer.

**Data**—The **Data** LED turns on any time the device is acquiring channel data that is available to the host computer control software.

When you power on an OMB-NET6230 or OMB-NET6231, the device can take up to two minutes to reach ready state, depending on network settings. Use the following LED sequence to determine when the device is ready:

1. **Power** LED turns on and remains on
2. **Boot** LED turns on, then off
3. **Active** LED blinks, then remains on
4. Device is ready

## SYNC connectors

The two synchronization ports can synchronize the pre-trigger data and post-trigger scanning of up to nine OMB-NET6000 Series devices. Use Encore to designate any OMB-NET6000 Series device as a *master unit*, *slave unit*, or *terminating slave unit*.

Up to nine OMB-NET6000 Series devices can be synchronized. The total combined length of the SYNC cables cannot exceed 2.438 m (8 ft).

Refer to the following section, *Synchronization*, for details. Refer to *Accessories* in the *Specifications* chapter for SYNC cables available from Omega Engineering.

## Power input connector

Connect to 19 VDC to 30 VDC power supply, such as the OMB-NET-TR-60U, 24VDC universal power supply

## Power switch

Switch to power on (I) and power off (0) the device.

## Synchronization

To synchronize up to nine OMB-NET6000 Series devices, connect them with synchronization cables as shown in Figure 4. The first device added to the synchronization group is the master, and the last device added is the terminating slave.

Unplug sync cables from devices that are not intended to be part of a Synchronized Device Group. Leaving a sync cable connected to an independent device can lead to errors.

Channel-to-channel phase relationships in a multi-device configuration are not necessarily fixed.



Figure 4. OMB-NET6000 Series devices connected for synchronization

After connecting the devices with the sync cables, configure them as a *synchronized device group* using Encore. Each synchronized group consists of one master device and at least one slave device.

The sampled data phase relationship among channels among multiple devices depends on the Channel Sync Skew specification for each device. When using different models in a multi-device system, any differences in the ADC filter delay (*input delay*) should be added.

Refer to the *Synchronizing Devices* topic of the *OMB-NET6000 Series Encore Help* for more information on synchronizing devices.

**Caution!** Leaving an un-terminated sync cable on a synchronized device can lead to errors.

## Stacking plate and handle options

Each OMB-NET6000 Series device chassis is equipped with feet on the lower panel and dimples on the upper panel for quick stacking of units.

To secure units together, use the optional stacking plate kits (OMB-NET-SPK). Each kit contains two stacking plates and eight screws (8-32 × .500 in., Phillips Flat, 82 Degree).

An optional handle kit (OMB-NET-HK) is available to provide a convenient way of carrying a single OMB-NET6000 Series device or a secured stacked set of devices. Each handle kit includes one black molded plastic handle and two mounting screws (1/4-20 × 7/8 in., Phillips Pan Head).

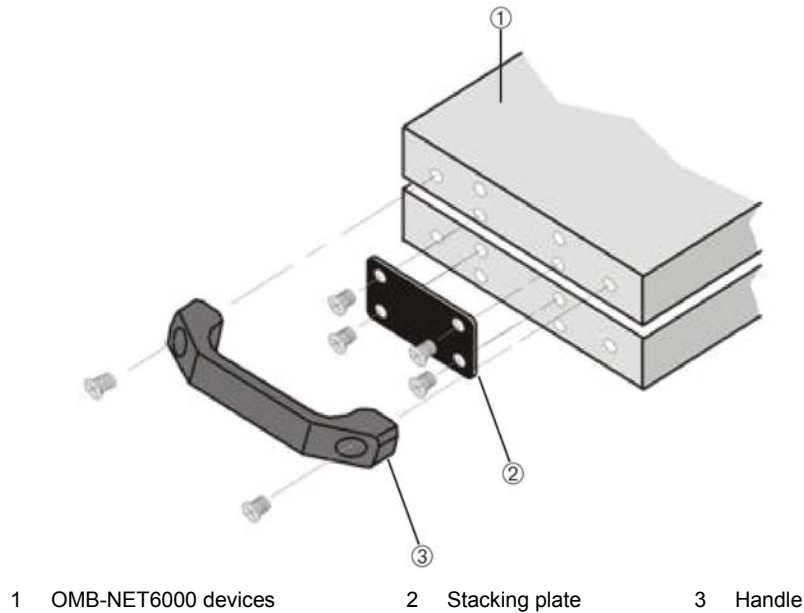


Figure 5. OMB-NET6230 and OMB-NET6231 stacking plate assembly

To attach OMB-NET6000 Series devices to each other using stacking plates, complete the following steps:

1. With the hole tapers facing out, align the bottom two holes of a plate with the top two center holes of the lower OMB-NET6000 Series device.
2. Secure the plate with the two #8-32  $\times$  .500 in. Phillips screws (provided). Tighten the screws snug, but do not over tighten.
3. Repeat steps 1 and 2 for the second plate on the other side of the OMB-NET6000 Series device.
4. Attach the second device using the remaining four screws.
5. Repeat steps 1 through 4 for each additional device and stacking plate kit and device.

To mount a handle to an OMB-NET6000 Series device, attach the handle to a device using the two outer holes on the device and the two 1/4-20  $\times$  7/8 in. Phillips pan head screws (provided). Tighten the screws snug, but do not over-tighten.

## Analog input

The OMB-NET6230 and OMB-NET6231 each include twelve 2-position (+ and -) removable screw-terminal connectors (one per channel). Each channel is independently protected from overvoltage.

The incoming analog signal on each channel is buffered and conditioned by the instrumentation amplifier and is then sampled by a channel-dedicated 24-bit ADC.

## Counter input

The OMB-NET6230 and OMB-NET6231 each have four 32-bit counter inputs that accept frequency inputs up to 20 MHz. The counter inputs are software-configurable for counter or encoder measurements.

Use Encore to configure the following counter settings:

- **Counter Source**—Select **Internal Clock**, **Timer 1**, **Timer 2**, or **Digital Line 0** through **Digital Line 7** as the source used for the counter. One source can be used in multiple counters.
- **Counter Gate**—Select **Unused** (do not gate the counter), **Internal Clock**, **Timer 1**, **Timer 2**, or **Digital Line 0** through **Digital Line 7** as the gate used for the counter. One gate can be used in multiple counters.
- **Count**—Select from the following settings:
  - **Clear on Read**—The counter counts up and is cleared after each read. By default, the counter counts up and only clears the counter at the start of a new scan command. The value of the counter before it is cleared is latched and returned.
  - **Totalize**—The counter counts up and is cleared at the start of a new scan.
  - **Start Count**—The value used to start counting. The default is *zero*.
  - **Stop Count**—The value used to stop counting. The default is *65535*.
  - **Rollover**—The count rolls over upon reaching the start or stop value.
- **Direction**—Select either **Increment** (count up) or **Decrement** (count down).
- **Detection**—Select **Rising Edge** to detect the count when the signal goes from low to high, or **Falling Edge** to detect the count when the signal goes from high to low.

## Encoder settings

Select **Encoder** from the **Measurement Type** list to configure the following encoder settings:

- **Resolution**—Select the encoder resolution—the number of full quadrature cycles per full shaft revolution (360 mechanical degrees)—from the following options:
  - **X1**—One count per cycle (default)
  - **X2**—Two counts per cycle
  - **X4**—Four counts per cycle
- **Sources**—Select one of the digital lines—**Digital Line 0** through **Digital Line 7**— for encoder **Source A**, **Source B**, and **Source C**.

When configured for encoder measurements, both the OMB-NET6230 and OMB-NET6231 can count *negative* values. When counting down, the encoder continues counting down below 0. This feature is useful to calculate the position of an encoder.

# Specifications

All specifications are subject to change without notice.  
Typical for  $-40\text{ }^{\circ}\text{C}$  to  $50\text{ }^{\circ}\text{C}$  unless otherwise specified.

## Analog input

Table 1. Analog input specifications

Parameter	Specification
A/D converter type	Delta-Sigma (with analog pre-filtering)
Number of analog channels	12
A/D resolution	16 bits
Input voltage range	$\pm 10\text{ V}$ typ Overflow occurs if $ \text{Vin}  \geq (10.2\text{ V to } 10.6\text{ V})$
Sampling mode	Simultaneous
Data rate range (FS)	1.613 kS/s to 50 kS/s max
Data rates	$(50\text{ kS/s})/n, n = 1, 2, \dots, 31$
Multiple device channel sync skew	1 sample period
Single device, channel-to-channel matching (calibrated)	OMB-NET6230: 208 ns max OMB-NET6231: 125 ns max
Master timebase (internal)	Frequency: 12.8 M Accuracy: 100 ppm max
Operating voltage ranges	OMB-NET6230: $\pm 10\text{ V}$ nominal, $\pm 10.52\text{ V}$ typ, $\pm 10.3\text{ V}$ min OMB-NET6231: $\pm 60\text{ V}$ nominal, $\pm 62.64\text{ V}$ typ, $\pm 61.5\text{ V}$ min
Overvoltage protection	$\pm 100\text{ V}$
Input coupling	DC
Input impedance (AI+ to AI-)	100 M $\Omega$
Input noise	OMB-NET6230: $70\text{ }\mu\text{V}_{\text{rms}}$ OMB-NET6231: $320\text{ }\mu\text{V}_{\text{rms}}$
Stability	Gain drift: $\pm 5\text{ ppm}/^{\circ}\text{C}$ Offset drift: <ul style="list-style-type: none"> <li>▪ OMB-NET6230: <math>\pm 24\text{ }\mu\text{V}/^{\circ}\text{C}</math></li> <li>▪ OMB-NET6231: <math>\pm 150\text{ }\mu\text{V}/^{\circ}\text{C}</math></li> </ul>
Post calibration gain match (ch-to-ch, 20 kHz)	0.22 dB max
Crosstalk (1 kHz)	-130 dB
Phase nonlinearity ( $f_s = 50\text{ kS/s}$ )	$0.11^{\circ}$ max
Input delay	OMB-NET6230: $38.4/f_s + 3\text{ }\mu\text{s}$ OMB-NET6231: $38.4/f_s + 2.6\text{ }\mu\text{s}$
Passband	Frequency: $0.453 \cdot f_s$ Flatness ( $f_s = 50\text{ kS/s}$ ): $\pm 100\text{ mdB}$ max
Stopband	Frequency: $0.547 \cdot f_s$ Rejection: 100 dB
Alias-free bandwidth	$0.453 \cdot f_s$
-3 dB prefilter bandwidth ( $f_s = 50\text{ kS/s}$ )	24.56 kHz
CMRR ( $f_{\text{in}} = 60\text{ Hz}$ )	OMB-NET6230: 126 dB OMB-NET6231: 116 dB
SFDR (1 kHz, -60 dBFS)	-128 dBFS
Total harmonic distortion	1 kHz, -1 dBFS: -99 dB 1 kHz, -20 dBFS: 105 dB

Table 2. OMB-NET6230 accuracy

Measurement condition	Percent of Reading (Gain Error)	Offset Error
Calibrated, max (–40 °C to 50 °C)	0.13%	±6.31 mV
Calibrated, typ (25 °C, ±5 °C)	0.03%	±842 μV

Table 3. OMB-NET6231 accuracy

Measurement condition	Percent of Reading (Gain Error)	Offset Error
Calibrated, max (–40 °C to 50 °C)	0.13%	±31.3 mV
Calibrated, typ (25 °C, ±5 °C)	0.03%	±5.01 mV

## Digital input/output

Table 4. Digital I/O specifications

Parameter	Specification
Number of I/O	8 channels programmable as a single port or as individual lines
Power on mode	Inputs pulled low
Connector	DB-9 female (see Figure 6)
Programmable input scanning modes	Asynchronous: Under program control at any time relative to analog scanning. Synchronous: Data captured synchronously with the analog channels.
Input levels	Low: 0 V to 0.8 V High: 2.0 V to 5.0 V
Input voltage range without damage	–0.6 V to 5.6 V max
Input pull-down resistor	10 kΩ
Output voltage range	0 V to +3.0 V Can be externally pulled up to 5.6 V without damage
Output resistance	40 Ω
Output levels	See Figure 7
Sampling	1 MHz max continuous
Output timing	Outputs are always written asynchronously

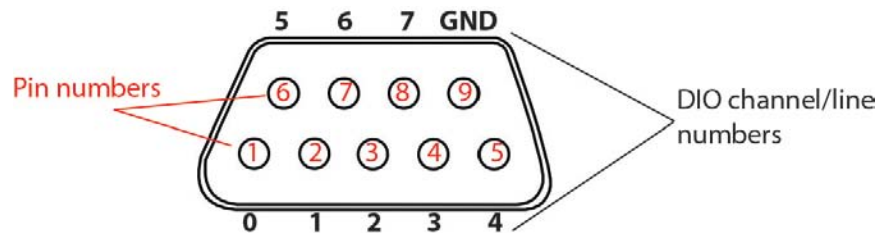


Figure 6. DB9 connector as viewed from the rear panel

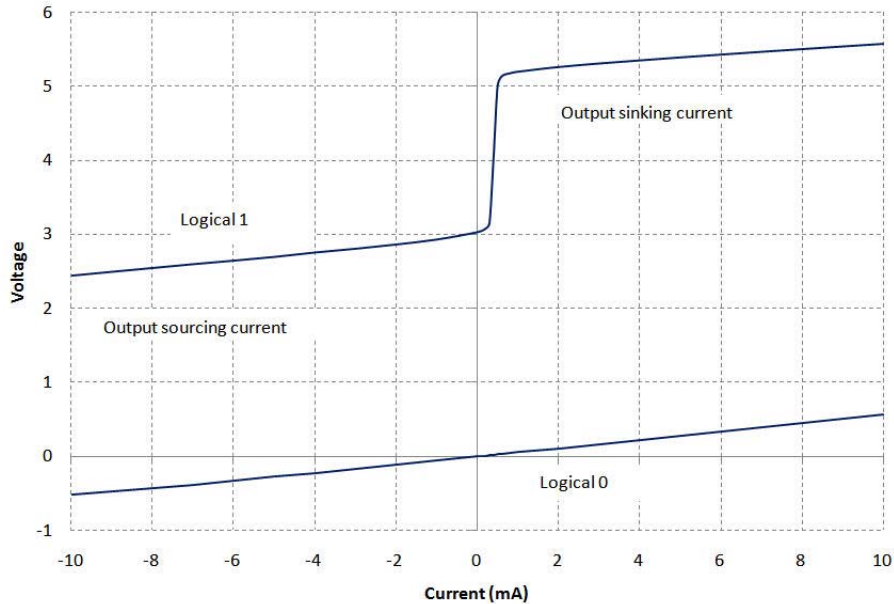


Figure 7. OMB-NET6230 and OMB-NET6231 digital output

## Counter input

Table 5. Counter input specifications

Parameter	Specification
Channels	Up to 4 independent
Resolution	32-bit
Input frequency	20 MHz max
Input characteristics	10 k $\Omega$ pull-down
Trigger level	TTL
Minimum pulse width	25 ns high, 25 ns low
Programmable modes	Counter, Encoder
Encoder resolution	x1 (default), x2, and x4
Encoder sources	A, B, and Z; can be assigned to any digital pin x.
Counter source	Internal Clock, Timer 1, Timer 2, and digital pin x. One source can be used in multiple counters.
Counter mode options	Totalize, Clear on Read, Rollover, Stop at the Top, Increment, Decrement, Rising Edge, Falling Edge
Counter gate options	Unused, Internal Clock, Timer 1, Timer 2, and Digital pin x. One gate can be used in multiple counters.

## Safety voltages (isolation)

Table 6. Isolation voltage specifications

Parameter	Specification
Channel-to-earth ground (continuous)	250 V <sub>rms</sub> , Measurement Category II
Channel-to-channel (continuous)	250 V <sub>rms</sub> , Measurement Category II



## Power

Table 7. Power specifications

Parameter	Specification
Power consumption	5.5 W typ, 6 W max
Power jack	Barrel type: 5.5 mm O.D.; 2.1 mm I.D.

## Mechanical

Table 8. Mechanical specifications

Parameter	Specification
Weight	1.24Kg (2.7 lb)
Dimensions (L × W × H)	276.9 × 169.8 × 30.5 mm (10.9 × 6.685 × 1.2 in.)

## Environmental

The OMB-NET6230 and OMB-NET6231 are intended for indoor use only, but can be used outdoors if installed in a suitable enclosure.

Table 9. Environmental specifications

Parameter	Specification
Operating temperature	−40 °C to 50 °C
Storage temperature	−40 °C to 75 °C
Ingress protection	IP 40
Operating humidity	10% to 90% RH, noncondensing
Storage humidity	5% to 95% RH, noncondensing
Maximum altitude	2,000 m (6,562 ft)
Pollution degree	2

## Calibration

The following calibration information applies to hardware calibration, not to be confused with *user* or *software* calibration. When calibrating the OMB-NET6230 and OMB-NET6231 with Encore (or other software), keep in mind that sample rate affects both the gain and offset of the device, and therefore the device should be software-calibrated at the same sample rate that is intended for measurements.

Table 10. Calibration specification

Parameter	Specification
Calibration interval	1 year

Contact Omega Engineering for information regarding calibration service.

## Accessories

Table 11. OMB-NET6230 and OMB-NET6231 accessories

Accessory	Description
OMB-NET-TR-60U	24 VDC @ 0.8 A (max) universal power supply
OMB-CA-1	120V IEC AC Mains cable (US)
OMB-CA-216	220V IEC Mains Cable (EU)
OMB-CA-74-1	RJ12 Shielded Cable, 6-Conductor, Sync, 0.3 m (1 ft);refer to Note 1
OMB-NET-SPK	Stacking plate kit; includes: <ul style="list-style-type: none"> <li>▪ 2 stacking plates</li> <li>▪ 8 screws (#8-32×0.5 in, Phillips Flat, 82 degree)</li> </ul>
OMB-NET-HK	Handle kit; includes: <ul style="list-style-type: none"> <li>▪ A molded black plastic handle</li> <li>▪ Two screws (#1/4-20×7/8 in, Phillips Pan Head)</li> </ul>
OMB-CA-192-7C	Ethernet crossover cable, 2.133 m (7 ft); refer to Notes 2 and 3
OMB-CA-242	Ethernet patch cable, 0.457 m (1.5 ft); refer to Note 2
OMB-CA-242-7	Ethernet patch cable, 2.133 m (7 ft); refer to Note 3

**Note 1:** Up to nine units can be synchronized. The total combined length of the SYNC cables cannot exceed 2.438m (8 ft).

**Note 2:** Ethernet cable length must be <3 m (9.8 ft) in order for the system to be CE Compliant.

**Note 3:** Ethernet crossover cables should only be used for direct network connections. In particular, attempting to connect a device to a Hub using a crossover cable may prevent that network link from functioning. Some modern routers have become an exception by including logic to detect the crossover cable and allow the network link to function.

## WARRANTY/DISCLAIMER

OMEGA ENGINEERING, INC. warrants this unit to be free of defects in materials and workmanship for a period of **13 months** from date of purchase. OMEGA's WARRANTY adds an additional one (1) month grace period to the normal **one (1) year product warranty** to cover handling and shipping time. This ensures that OMEGA's customers receive maximum coverage on each product.

If the unit malfunctions, it must be returned to the factory for evaluation. OMEGA's Customer Service Department will issue an Authorized Return (AR) number immediately upon phone or written request. Upon examination by OMEGA, if the unit is found to be defective, it will be repaired or replaced at no charge. OMEGA's WARRANTY does not apply to defects resulting from any action of the purchaser, including but not limited to mishandling, improper interfacing, operation outside of design limits, improper repair, or unauthorized modification. This WARRANTY is VOID if the unit shows evidence of having been tampered with or shows evidence of having been damaged as a result of excessive corrosion; or current, heat, moisture or vibration; improper specification; misapplication; misuse or other operating conditions outside of OMEGA's control. Components in which wear is not warranted, include but are not limited to contact points, fuses, and triacs.

**OMEGA is pleased to offer suggestions on the use of its various products. However, OMEGA neither assumes responsibility for any omissions or errors nor assumes liability for any damages that result from the use of its products in accordance with information provided by OMEGA, either verbal or written. OMEGA warrants only that the parts manufactured by the company will be as specified and free of defects. OMEGA MAKES NO OTHER WARRANTIES OR REPRESENTATIONS OF ANY KIND WHATSOEVER, EXPRESSED OR IMPLIED, EXCEPT THAT OF TITLE, AND ALL IMPLIED WARRANTIES INCLUDING ANY WARRANTY OF MERCHANTABILITY AND FITNESS FOR A PARTICULAR PURPOSE ARE HEREBY DISCLAIMED. LIMITATION OF LIABILITY: The remedies of purchaser set forth herein are exclusive, and the total liability of OMEGA with respect to this order, whether based on contract, warranty, negligence, indemnification, strict liability or otherwise, shall not exceed the purchase price of the component upon which liability is based. In no event shall OMEGA be liable for consequential, incidental or special damages.**

CONDITIONS: Equipment sold by OMEGA is not intended to be used, nor shall it be used: (1) as a "Basic Component" under 10 CFR 21 (NRC), used in or with any nuclear installation or activity; or (2) in medical applications or used on humans. Should any Product(s) be used in or with any nuclear installation or activity, medical application, used on humans, or misused in any way, OMEGA assumes no responsibility as set forth in our basic WARRANTY/DISCLAIMER language, and, additionally, purchaser will indemnify OMEGA and hold OMEGA harmless from any liability or damage whatsoever arising out of the use of the Product(s) in such a manner.

## RETURN REQUESTS/INQUIRIES

Direct all warranty and repair requests/inquiries to the OMEGA Customer Service Department. BEFORE RETURNING ANY PRODUCT(S) TO OMEGA, PURCHASER MUST OBTAIN AN AUTHORIZED RETURN (AR) NUMBER FROM OMEGA'S CUSTOMER SERVICE DEPARTMENT (IN ORDER TO AVOID PROCESSING DELAYS). The assigned AR number should then be marked on the outside of the return package and on any correspondence.

The purchaser is responsible for shipping charges, freight, insurance and proper packaging to prevent breakage in transit.

FOR **WARRANTY** RETURNS, please have the following information available BEFORE contacting OMEGA:

1. Purchase Order number under which the product was PURCHASED,
2. Model and serial number of the product under warranty, and
3. Repair instructions and/or specific problems relative to the product.

FOR **NON-WARRANTY** REPAIRS, consult OMEGA for current repair charges. Have the following information available BEFORE contacting OMEGA:

1. Purchase Order number to cover the COST of the repair,
2. Model and serial number of the product, and
3. Repair instructions and/or specific problems relative to the product.

OMEGA's policy is to make running changes, not model changes, whenever an improvement is possible. This affords our customers the latest in technology and engineering.

OMEGA is a registered trademark of OMEGA ENGINEERING, INC.

© Copyright 2012 OMEGA ENGINEERING, INC. All rights reserved. This document may not be copied, photocopied, reproduced, translated, or reduced to any electronic medium or machine-readable form, in whole or in part, without the prior written consent of OMEGA ENGINEERING, INC.

# Where Do I Find Everything I Need for Process Measurement and Control? **OMEGA...Of Course!** *Shop online at [omega.com](http://omega.com)<sup>SM</sup>*

## **TEMPERATURE**

- ☑ Thermocouple, RTD & Thermistor Probes, Connectors, Panels & Assemblies
- ☑ Wire: Thermocouple, RTD & Thermistor
- ☑ Calibrators & Ice Point References
- ☑ Recorders, Controllers & Process Monitors
- ☑ Infrared Pyrometers

## **PRESSURE, STRAIN AND FORCE**

- ☑ Transducers & Strain Gages
- ☑ Load Cells & Pressure Gages
- ☑ Displacement Transducers
- ☑ Instrumentation & Accessories

## **FLOW/LEVEL**

- ☑ Rotameters, Gas Mass Flowmeters & Flow Computers
- ☑ Air Velocity Indicators
- ☑ Turbine/Paddlewheel Systems
- ☑ Totalizers & Batch Controllers

## **pH/CONDUCTIVITY**

- ☑ pH Electrodes, Testers & Accessories
- ☑ Benchtop/Laboratory Meters
- ☑ Controllers, Calibrators, Simulators & Pumps
- ☑ Industrial pH & Conductivity Equipment

## **DATA ACQUISITION**

- ☑ Data Acquisition & Engineering Software
- ☑ Communications-Based Acquisition Systems
- ☑ Plug-in Cards for Apple, IBM & Compatibles
- ☑ Data Logging Systems
- ☑ Recorders, Printers & Plotters

## **HEATERS**

- ☑ Heating Cable
- ☑ Cartridge & Strip Heaters
- ☑ Immersion & Band Heaters
- ☑ Flexible Heaters
- ☑ Laboratory Heaters

## **ENVIRONMENTAL MONITORING AND CONTROL**

- ☑ Metering & Control Instrumentation
- ☑ Refractometers
- ☑ Pumps & Tubing
- ☑ Air, Soil & Water Monitors
- ☑ Industrial Water & Wastewater Treatment
- ☑ pH, Conductivity & Dissolved Oxygen Instruments