

# User's Guide



***Shop online at***

***omega.com***<sup>®</sup>

Ω OMEGA<sup>®</sup>

***omega.com***

***e-mail: info@omega.com***

***For latest product manuals:***

***omegamanual.info***

**ISO 9001**  
CERTIFIED  
CORPORATE QUALITY

STAMFORD, CT

**ISO 9002**  
CERTIFIED  
CORPORATE QUALITY

MANCHESTER, UK

## **LDP6-ENC9**

## **LDP6-SHR**

## **LDP6-MB**

## **LABEL-LX**

# **Large Display Accessories**



<b>OMEGAnet® Online Service</b> <b>omega.com</b>	<b>Internet e-mail</b> <b>info@omega.com</b>
---	---

### **Servicing North America:**

**U.S.A.:** One Omega Drive, P.O. Box 4047  
ISO 9001 Certified Stamford, CT 06907-0047  
TEL: (203) 359-1660 FAX: (203) 359-7700  
e-mail: info@omega.com

**Canada:** 976 Bergar  
Laval (Quebec) H7L 5A1, Canada  
TEL: (514) 856-6928 FAX: (514) 856-6886  
e-mail: info@omega.ca

### **For immediate technical or application assistance:**

**U.S.A. and Canada:** Sales Service: 1-800-826-6342/1-800-TC-OMEGA®  
Customer Service: 1-800-622-2378/1-800-622-BEST®  
Engineering Service: 1-800-872-9436/1-800-USA-WHEN®

**Mexico:** En Español: (001) 203-359-7803 e-mail: espanol@omega.com  
FAX: (001) 203-359-7807 info@omega.com.mx

### **Servicing Europe:**

**Czech Republic:** Frystatska 184, 733 01 Karviná, Czech Republic  
TEL: +420 (0)59 6311899 FAX: +420 (0)59 6311114  
Toll Free: 0800-1-66342  
e-mail: info@omegashop.cz

**Germany/Austria:** Daimlerstrasse 26, D-75392 Deckenpfronn, Germany  
TEL: +49 (0)7056 9398-0 FAX: +49 (0)7056 9398-29  
Toll Free in Germany: 0800 639 7678  
e-mail: info@omega.de

**United Kingdom:** One Omega Drive, River Bend Technology Centre  
ISO 9002 Certified Northbank, Irlam, Manchester  
M44 5BD United Kingdom  
TEL: +44 (0)161 777 6611 FAX: +44 (0)161 777 6622  
Toll Free in United Kingdom: 0800-488-488  
e-mail: sales@omega.co.uk

---

It is the policy of OMEGA Engineering, Inc. to comply with all worldwide safety and EMC/EMI regulations that apply. OMEGA is constantly pursuing certification of its products to the European New Approach Directives. OMEGA will add the CE mark to every appropriate device upon certification.

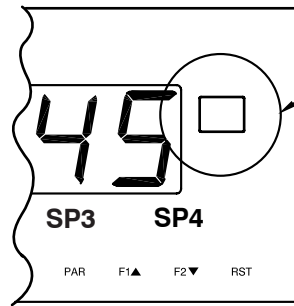
The information contained in this document is believed to be correct, but OMEGA accepts no liability for any errors it contains, and reserves the right to alter specifications without notice.

WARNING : These products are not designed for use in, and should not be used for, human applications.

- ENGINEERING UNIT LABELS
- BRACKETS FOR BASE, CEILING, OR WALL MOUNTING
- NEMA 4/IP65 ENCLOSURE FOR WASHDOWN ENVIRONMENTS
- FRONT PANEL SHROUD FOR ENHANCED VIEWING

### LABEL-LX ACCESSORY

The LX label accessories allow the 5 digit LDP63000 display to be customized with an engineering unit. The label is affixed to the embossed area on the bezel of the display. The input module is then programmed to turn on its backlighting, which illuminates the label from behind. Shown below is a chart of the preprinted labels available to order.



### INSTALLATION

Before applying the label, ensure that the embossed area is clean, dry, and free of dirt. Remove the backing and center the label in the embossed area and attach. Take extra care to seat the edges of the label.

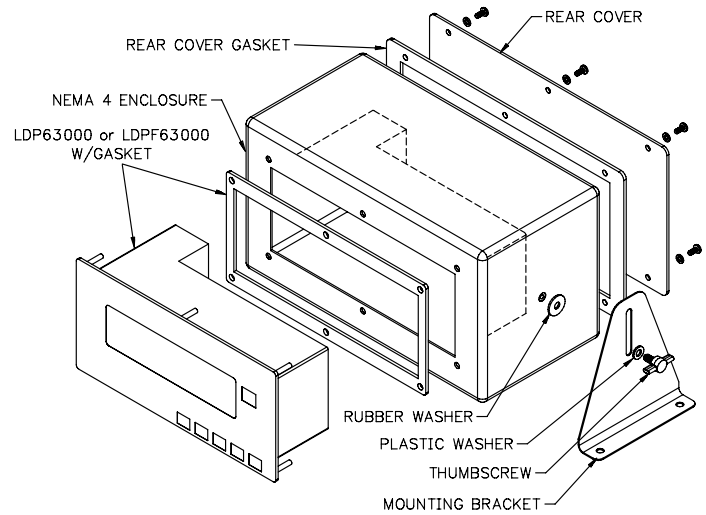
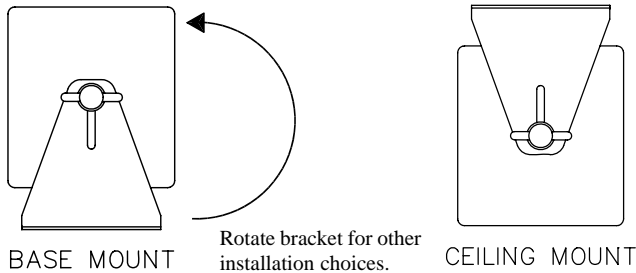
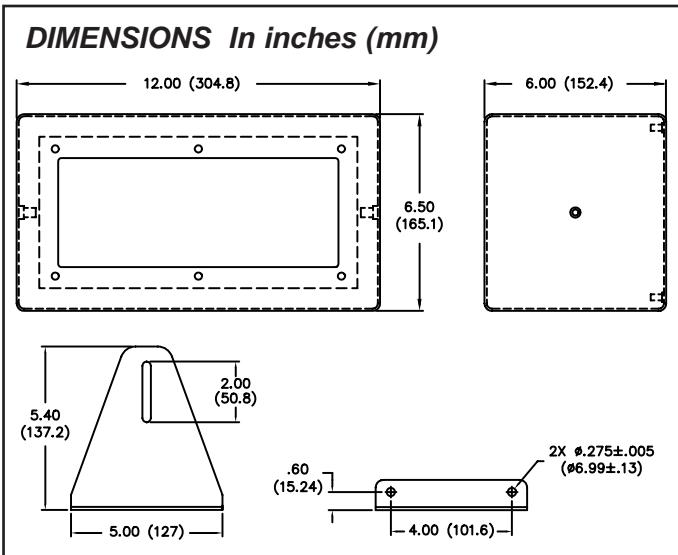
	<b>K</b>	<b>A</b>	<b>mA</b>	<b>μA</b>	<b>Hz</b>	<b>kHz</b>	<b>kV</b>	<b>VA</b>	<b>kVA</b>	<b>VAC</b>	<b>mV</b>	<b>V</b>		
LXBLANK0*	LXK00000	LXA00000	LXMA0000	LXUA0000	LXHZ0000	LXKHZ000	LXKV0000	LXVA0000	LXKVA000	LXVAC000	LXMV0000	LXV00000		
<b>mΩ</b>	<b>Ω</b>	<b>KΩ</b>	<b>MΩ</b>	<b>W</b>	<b>KW</b>	<b>kWh</b>	<b>kg</b>	<b>ton</b>	<b>gal</b>	<b>ℓ</b>	<b>mℓ</b>	<b>Kℓ</b>	<b>m<sup>3</sup></b>	
LXCM3000	LXOHM10	LXOHM000	LXKOHM00	LXMOHM20	LXW00000	LXKW0000	LXKWH000	LXKG0000	LXTON000	LXGAL000	LXL00000	LXML0000	LXKL0000	LXM30000
<b>cm<sup>3</sup></b>	<b>mm<sup>3</sup></b>	<b>in<sup>3</sup></b>	<b>ft<sup>3</sup></b>	<b>yd<sup>3</sup></b>	<b>ℓ/h</b>	<b>kg/s</b>	<b>kg/min</b>	<b>m<sup>3</sup>/s</b>	<b>m<sup>3</sup>/min</b>	<b>m<sup>3</sup>/h</b>	<b>ℓ/s</b>	<b>ℓ/min</b>	<b>kg/h</b>	
LXCM3000	LXMM3000	LXIN3000	LXFT3000	LXYD3000	LXL/H000	LXKG/S00	LXKG/MIN	LXM3/S00	LXM3/MIN	LXM3/H00	LXL/S000	LXL/MIN0	LXKG/H00	
<b>ton/h</b>	<b>ft<sup>3</sup>/s</b>	<b>ft<sup>3</sup>/min</b>	<b>ft<sup>3</sup>/h</b>	<b>BPS</b>	<b>BPM</b>	<b>LPM</b>	<b>gps</b>	<b>GPM</b>	<b>gpm</b>	<b>gph</b>	<b>FPS</b>	<b>FPM</b>	<b>FPH</b>	
LXTON/H0	LXFT3/S0	LXFT3/MN	LXFT3/H0	LXBPS000	LXBPM000	LXLPM000	LXGPS000	LXGPM100	LXGPM200	LXGPH000	LXFPS100	LXFPM100	LXFPH000	
<b>fps</b>	<b>fpm</b>	<b>YPS</b>	<b>YPM</b>	<b>YPH</b>	<b>IPS</b>	<b>IPM</b>	<b>IPH</b>	<b>CPS</b>	<b>CPM</b>	<b>CPH</b>	<b>MPS</b>	<b>MPM</b>	<b>MPH</b>	
LXFPS200	LXFPM200	LXYP0000	LXYPM000	LXYPH000	LXIPS000	LXIPM000	LXIPH000	LXCPS000	LXCPM000	LXCPH000	LXMP0000	LXMPM000	LXMPH000	
<b>kph</b>	<b>RPS</b>	<b>rps</b>	<b>rpm</b>	<b>rph</b>	<b>ppb</b>	<b>ppm</b>	<b>mm/s</b>	<b>cm/s</b>	<b>cm/min</b>	<b>m/s</b>	<b>m/min</b>	<b>m/h</b>	<b>t/min</b>	
LXKPH000	LXRPS100	LXRPS200	LXRPM000	LXRPH000	LXPPB000	LXPPM000	LXMM/S00	LXCM/S00	LXCM/MIN	LXM/S000	LXM/MIN0	LXM/H000	LXT/MIN0	
<b>u/min</b>	<b>lb/min</b>	<b>lb/h</b>	<b>T</b>	<b>t</b>	<b>%RH</b>	<b>pH</b>	<b>deg</b>	<b>G</b>	<b>oz</b>	<b>lb</b>	<b>x10</b>	<b>x100</b>	<b>x1000</b>	
LXU/MIN0	LXLB/MIN	LXLB/H00	LXT10000	LXT20000	LX%RH000	LXPH0000	LXDEG000	LXG00000	LXOZ0000	LXLB0000	LX10X000	LX100X00	LX1000X0	
<b>∅A</b>	<b>∅B</b>	<b>∅C</b>	<b>bar</b>	<b>in Hg</b>	<b>psi</b>	<b>kPa</b>	<b>%</b>	<b>in</b>	<b>ft</b>	<b>yd</b>	<b>mm</b>	<b>cm</b>	<b>m</b>	
LXPHA000	LXPHB000	LXPHC000	LXBAR000	LXINHG00	LXPSI000	LXKPA000	LX%00000	LXIN0000	LXFT0000	LXYD0000	LXMM0000	LXCM0000	LXM00000	
<b>km</b>	<b>N</b>	<b>hp</b>	<b>in lb</b>	<b>ft lb</b>	<b>min</b>	<b>h</b>	<b>S</b>	<b>SEC</b>	<b>VDC</b>	<b>°F</b>	<b>°C</b>			
LXKM0000	LXN00000	LXHP0000	LXINLB00	LXFTLB00	LXMIN000	LXH00000	LXS00000	LXSEC000	LXVDC000	LXDF0000**	LXDC0000**			

\* Blank label included with each LDP63000.

\*\* These labels included with LDP63000-T units

## LDP6-ENC9 NEMA 4/IP65 ENCLOSURE

The LDP6-ENC9 NEMA 4/IP65 enclosure provides a means of mounting the display in dirty or washdown environments. The enclosure comes with all the gaskets, hardware (except the mounting screws), and brackets required to base, ceiling, or wall mount the display. The mounting screws to attach the brackets to your surface are not provided due to the variety of installation options available.

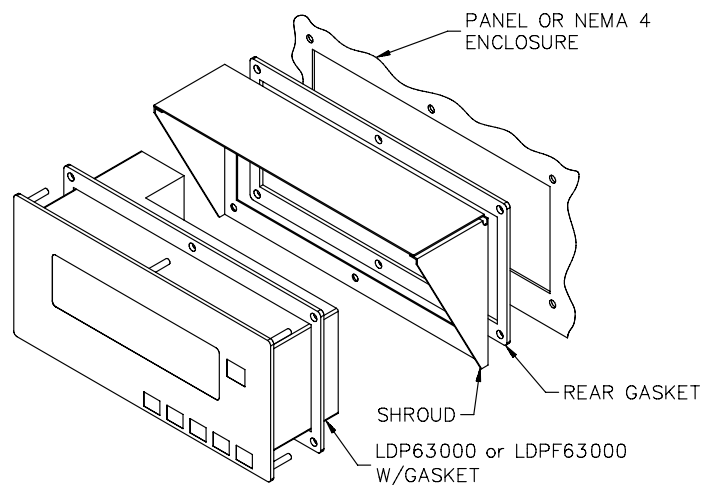
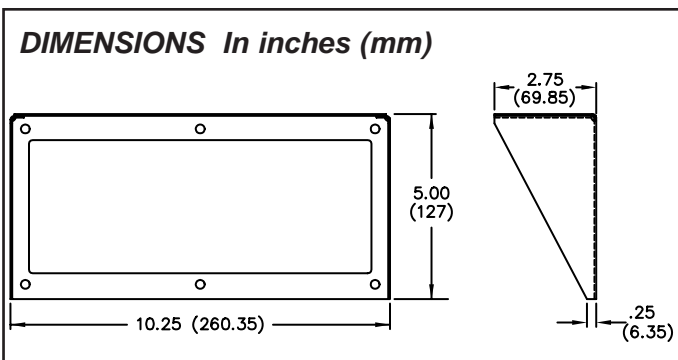


### ENCLOSURE ASSEMBLY

1. Before drilling a hole in the enclosure for your wire connector or fitting, ensure that the location you have chosen allows enough clearance around the input module.
2. Remove the center section of the gasket provided with the display, and slide it over the rear of the display and onto the mounting studs.
3. Insert the display into the enclosure as illustrated. Install six #10-32 keps nuts (supplied with the display) and tighten evenly for uniform gasket compression. The gasket should be compressed to about 75 to 80% of its original thickness. Do not overtighten the nuts.
4. Run the wires through the hole that was drilled in the enclosure, and attach them to the display. Wiring instructions are provided in the appropriate product bulletin shipped with the input Module.
5. Remove the center section of the rear cover gasket. Apply the gasket to the rear panel of the enclosure by inserting the screws through the panel and into the holes in the gasket. Position the panel on the enclosure and start all of the screws. Alternately tighten each screw to ensure uniform gasket compression. The gasket should be compressed to about 75 to 80% of its original thickness.
6. To securely mount the enclosure, attach the adjustable mounting brackets to the enclosure using the washers and screws provided.
7. Secure the mounting brackets to the desired mounting location.

## LDP6-SHR SHROUD

The optional shroud enhances the readability of the large display unit in areas with high intensity overhead light sources. The shroud can be used in conjunction with any installation (panel mount, enclosure, or mounting brackets). When properly installed, the shroud will not affect the integrity of a NEMA 4 installation.

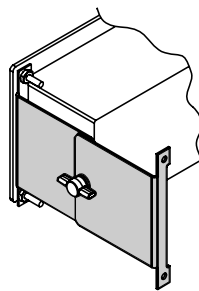
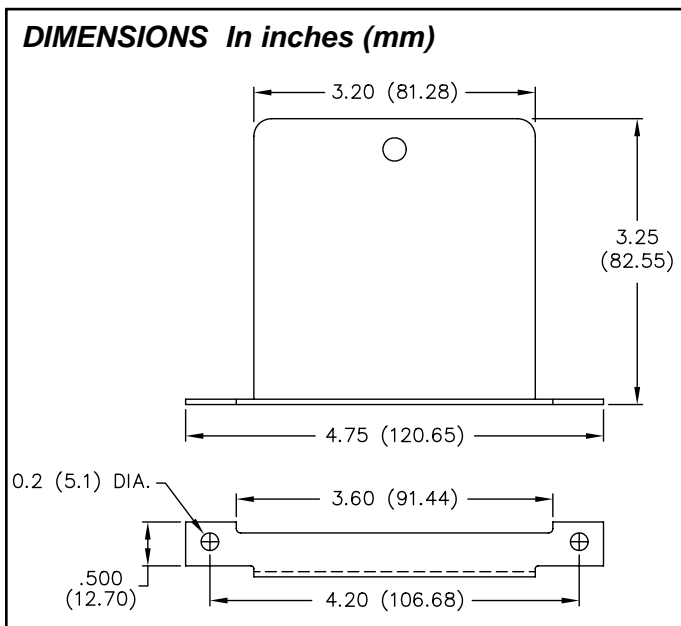


### INSTALLATION

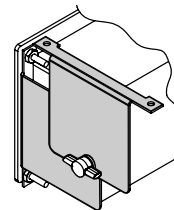
1. Remove the center section of the gasket provided with the display, and slide it over the rear of the display and onto the mounting studs.
2. Orient the shroud and gasket as shown in the assembly figure, and place it over the display. The studs of the display should now be protruding through the rear of the shroud.
3. Follow the remaining installation instructions for panel mounting, bracket mounting or enclosure mounting as appropriate.

## LDP6-MB-MOUNTING BRACKETS

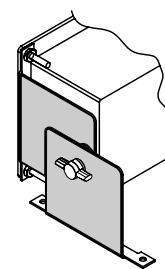
The LDP6-MB mounting brackets provide an easy way to base, wall, or ceiling mount the display. The LDP6-MB kit comes with two sets of brackets, and most of the hardware to mount the display at virtually any angle. The screws to attach the brackets to your surface are not provided due to the variety of installation options available.



WALL MOUNT

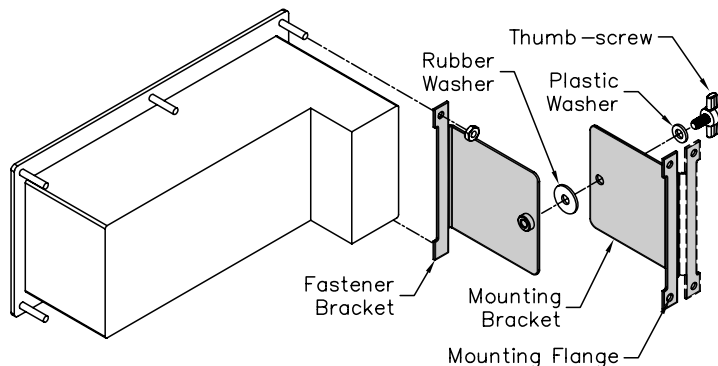


CEILING MOUNT



BASE MOUNT

### ASSEMBLY



#### Notes:

1. When installing the brackets, the fastener bracket must be installed on the studs of the display as shown.
2. The mounting bracket may be installed with the flange facing in or out.
3. The rubber washers provided must be installed between the two mounting brackets during assembly.
4. The screws for fastening the brackets to a surface are not provided in the LDP6-MB kit. The holes are 0.2" in diameter and will accept size #10 screws and smaller.



## WARRANTY/DISCLAIMER

OMEGA ENGINEERING, INC. warrants this unit to be free of defects in materials and workmanship for a period of **13 months** from date of purchase. OMEGA's WARRANTY adds an additional one (1) month grace period to the normal **one (1) year product warranty** to cover handling and shipping time. This ensures that OMEGA's customers receive maximum coverage on each product.

If the unit malfunctions, it must be returned to the factory for evaluation. OMEGA's Customer Service Department will issue an Authorized Return (AR) number immediately upon phone or written request. Upon examination by OMEGA, if the unit is found to be defective, it will be repaired or replaced at no charge. OMEGA's WARRANTY does not apply to defects resulting from any action of the purchaser, including but not limited to mishandling, improper interfacing, operation outside of design limits, improper repair, or unauthorized modification. This WARRANTY is VOID if the unit shows evidence of having been tampered with or shows evidence of having been damaged as a result of excessive corrosion; or current, heat, moisture or vibration; improper specification; misapplication; misuse or other operating conditions outside of OMEGA's control. Components in which wear is not warranted, include but are not limited to contact points, fuses, and triacs.

**OMEGA is pleased to offer suggestions on the use of its various products. However, OMEGA neither assumes responsibility for any omissions or errors nor assumes liability for any damages that result from the use of its products in accordance with information provided by OMEGA, either verbal or written. OMEGA warrants only that the parts manufactured by the company will be as specified and free of defects. OMEGA MAKES NO OTHER WARRANTIES OR REPRESENTATIONS OF ANY KIND WHATSOEVER, EXPRESSED OR IMPLIED, EXCEPT THAT OF TITLE, AND ALL IMPLIED WARRANTIES INCLUDING ANY WARRANTY OF MERCHANTABILITY AND FITNESS FOR A PARTICULAR PURPOSE ARE HEREBY DISCLAIMED. LIMITATION OF LIABILITY: The remedies of purchaser set forth herein are exclusive, and the total liability of OMEGA with respect to this order, whether based on contract, warranty, negligence, indemnification, strict liability or otherwise, shall not exceed the purchase price of the component upon which liability is based. In no event shall OMEGA be liable for consequential, incidental or special damages.**

CONDITIONS: Equipment sold by OMEGA is not intended to be used, nor shall it be used: (1) as a "Basic Component" under 10 CFR 21 (NRC), used in or with any nuclear installation or activity; or (2) in medical applications or used on humans. Should any Product(s) be used in or with any nuclear installation or activity, medical application, used on humans, or misused in any way, OMEGA assumes no responsibility as set forth in our basic WARRANTY/DISCLAIMER language, and, additionally, purchaser will indemnify OMEGA and hold OMEGA harmless from any liability or damage whatsoever arising out of the use of the Product(s) in such a manner.

## RETURN REQUESTS/INQUIRIES

Direct all warranty and repair requests/inquiries to the OMEGA Customer Service Department. BEFORE RETURNING ANY PRODUCT(S) TO OMEGA, PURCHASER MUST OBTAIN AN AUTHORIZED RETURN (AR) NUMBER FROM OMEGA'S CUSTOMER SERVICE DEPARTMENT (IN ORDER TO AVOID PROCESSING DELAYS). The assigned AR number should then be marked on the outside of the return package and on any correspondence.

The purchaser is responsible for shipping charges, freight, insurance and proper packaging to prevent breakage in transit.

FOR **WARRANTY** RETURNS, please have the following information available BEFORE contacting OMEGA:

1. Purchase Order number under which the product was PURCHASED,
2. Model and serial number of the product under warranty, and
3. Repair instructions and/or specific problems relative to the product.

FOR **NON-WARRANTY** REPAIRS, consult OMEGA for current repair charges. Have the following information available BEFORE contacting OMEGA:

1. Purchase Order number to cover the COST of the repair,
2. Model and serial number of the product, and
3. Repair instructions and/or specific problems relative to the product.

OMEGA's policy is to make running changes, not model changes, whenever an improvement is possible. This affords our customers the latest in technology and engineering.

OMEGA is a registered trademark of OMEGA ENGINEERING, INC.

© Copyright 2006 OMEGA ENGINEERING, INC. All rights reserved. This document may not be copied, photocopied, reproduced, translated, or reduced to any electronic medium or machine-readable form, in whole or in part, without the prior written consent of OMEGA ENGINEERING, INC.

# Where Do I Find Everything I Need for Process Measurement and Control? **OMEGA...Of Course!** *Shop online at [omega.com](http://omega.com)*

## **TEMPERATURE**

- Thermocouple, RTD & Thermistor Probes, Connectors, Panels & Assemblies
- Wire: Thermocouple, RTD & Thermistor
- Calibrators & Ice Point References
- Recorders, Controllers & Process Monitors
- Infrared Pyrometers

## **PRESSURE, STRAIN AND FORCE**

- Transducers & Strain Gages
- Load Cells & Pressure Gages
- Displacement Transducers
- Instrumentation & Accessories

## **FLOW/LEVEL**

- Rotameters, Gas Mass Flowmeters & Flow Computers
- Air Velocity Indicators
- Turbine/Paddlewheel Systems
- Totalizers & Batch Controllers

## **pH/CONDUCTIVITY**

- pH Electrodes, Testers & Accessories
- Benchtop/Laboratory Meters
- Controllers, Calibrators, Simulators & Pumps
- Industrial pH & Conductivity Equipment

## **DATA ACQUISITION**

- Data Acquisition & Engineering Software
- Communications-Based Acquisition Systems
- Plug-in Cards for Apple, IBM & Compatibles
- Datalogging Systems
- Recorders, Printers & Plotters

## **HEATERS**

- Heating Cable
- Cartridge & Strip Heaters
- Immersion & Band Heaters
- Flexible Heaters
- Laboratory Heaters

## **ENVIRONMENTAL MONITORING AND CONTROL**

- Metering & Control Instrumentation
- Refractometers
- Pumps & Tubing
- Air, Soil & Water Monitors
- Industrial Water & Wastewater Treatment
- pH, Conductivity & Dissolved Oxygen Instruments