

Where Do I Find Everything I Need for Process Measurement and Control? **OMEGA...Of Course!** *Shop online at omega.com*

TEMPERATURE

- ☑ Thermocouple, RTD & Thermistor Probes, Connectors, Panels & Assemblies
- ☑ Wire: Thermocouple, RTD & Thermistor
- ☑ Calibrators & Ice Point References
- ☑ Recorders, Controllers & Process Monitors
- ☑ Infrared Pyrometers

PRESSURE, STRAIN AND FORCE

- ☑ Transducers & Strain Gages
- ☑ Load Cells & Pressure Gages
- ☑ Displacement Transducers
- ☑ Instrumentation & Accessories

FLOW/LEVEL

- ☑ Rotameters, Gas Mass Flowmeters & Flow Computers
- ☑ Air Velocity Indicators
- ☑ Turbine/Paddlewheel Systems
- ☑ Totalizers & Batch Controllers

pH/CONDUCTIVITY

- ☑ pH Electrodes, Testers & Accessories
- ☑ Benchtop/Laboratory Meters
- ☑ Controllers, Calibrators, Simulators & Pumps
- ☑ Industrial pH & Conductivity Equipment

DATA ACQUISITION

- ☑ Data Acquisition & Engineering Software
- ☑ Communications-Based Acquisition Systems
- ☑ Plug-in Cards for Apple, IBM & Compatibles
- ☑ Datalogging Systems
- ☑ Recorders, Printers & Plotters

HEATERS

- ☑ Heating Cable
- ☑ Cartridge & Strip Heaters
- ☑ Immersion & Band Heaters
- ☑ Flexible Heaters
- ☑ Laboratory Heaters

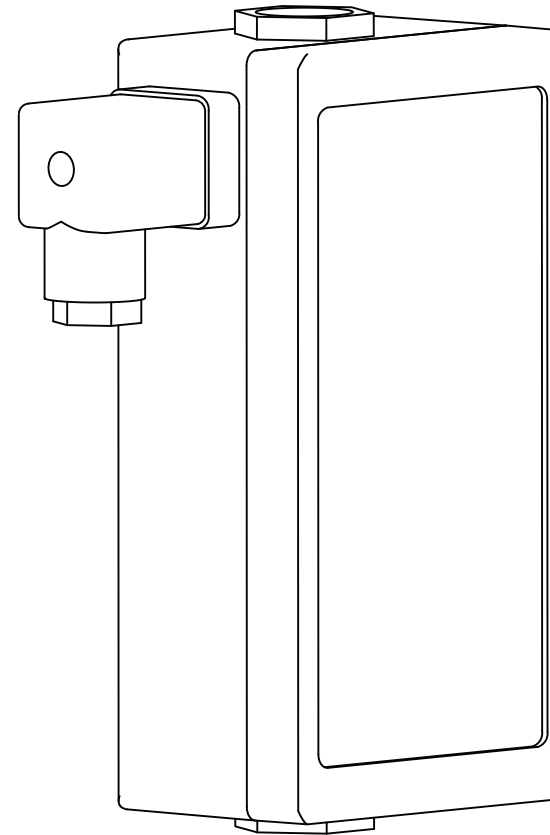
ENVIRONMENTAL MONITORING AND CONTROL

- ☑ Metering & Control Instrumentation
- ☑ Refractometers
- ☑ Pumps & Tubing
- ☑ Air, Soil & Water Monitors
- ☑ Industrial Water & Wastewater Treatment
- ☑ pH, Conductivity & Dissolved Oxygen Instruments

M-4466/0108



User's Guide



Shop online at

omega.com[®]

Ω OMEGA[®]

omega.com

e-mail: info@omega.com

*For latest product manuals:
omegamanual.info*



FW1000 Series

Differential Pressure Flowmeters



OMEGAnet® Online Service omega.com	Internet e-mail info@omega.com
---	---

Servicing North America:

U.S.A.: One Omega Drive, Box 4047
ISO 9001 Certified Stamford, CT 06907-0047
 Tel: (203) 359-1660
 FAX: (203) 359-7700
 e-mail: info@omega.com

Canada: 976 Bergar
 Laval (Quebec) H7L 5A1, Canada
 Tel: (514) 856-6928
 FAX: (514) 856-6886
 e-mail: info@omega.ca

For immediate technical or application assistance:

U.S.A. and Canada: Sales Service: 1-800-826-6342/1-800-TC-OMEGA®
 Customer Service: 1-800-622-2378/1-800-622-BEST®
 Engineering Service: 1-800-872-9436/1-800-USA-WHEN®

Mexico: En Espanol: (001) 203-359-7803
 e-mail: espanol@omega.com
 FAX: (001) 203-359-7807
 info@omega.com.mx

Servicing Europe:

Czech Republic: Frystatska 184, 733 01 Karvina, Czech Republic
 Tel: +420 (0)59 6311899
 FAX: +420 (0)59 6311114
 Toll Free: 0800-1-66342
 e-mail: info@omegashop.cz

Germany/Austria: Daimlerstrasse 26, D-75392 Deckenpfronn, Germany
 Tel: +49 (0)7056 9398-0
 FAX: +49 (0)7056 9398-29
 Toll Free in Germany: 0800 639 7678
 e-mail: info@omega.de

United Kingdom: One Omega Drive, River Bend Technology Centre
ISO 9002 Certified Northbank, Irlam, Manchester
 M44 5BD United Kingdom
 Tel: +44 (0)161 777 6611
 FAX: +44 (0)161 777 6622
 Toll Free in United Kingdom: 0800-488-488
 e-mail: sales@omega.co.uk

It is the policy of OMEGA Engineering, Inc. to comply with all worldwide safety and EMC/EMI regulations that apply. OMEGA is constantly pursuing certification of its products to the European New Approach Directives. OMEGA will add the CE mark to every appropriate device upon certification.

The information contained in this document is believed to be correct, but OMEGA accepts no liability for any errors it contains, and reserves the right to alter specifications without notice.

WARNING: These products are not designed for use in, and should not be used for, human applications.

WARRANTY/DISCLAIMER

OMEGA ENGINEERING, INC. warrants this unit to be free of defects in materials and workmanship for a period of **13 months** from date of purchase. OMEGA's WARRANTY adds an additional one (1) month grace period to the normal **one (1) year product warranty** to cover handling and shipping time. This ensures that OMEGA's customers receive maximum coverage on each product.

If the unit malfunctions, it must be returned to the factory for evaluation. OMEGA's Customer Service Department will issue an Authorized Return (AR) number immediately upon phone or written request. Upon examination by OMEGA, if the unit is found to be defective, it will be repaired or replaced at no charge. OMEGA's WARRANTY does not apply to defects resulting from any action of the purchaser, including but not limited to mishandling, improper interfacing, operation outside of design limits, improper repair, or unauthorized modification. This WARRANTY is VOID if the unit shows evidence of having been tampered with or shows evidence of having been damaged as a result of excessive corrosion; or current, heat, moisture or vibration; improper specification; misapplication; misuse or other operating conditions outside of OMEGA's control. Components in which wear is not warranted, include but are not limited to contact points, fuses, and triacs.

OMEGA is pleased to offer suggestions on the use of its various products. However, OMEGA neither assumes responsibility for any omissions or errors nor assumes liability for any damages that result from the use of its products in accordance with information provided by OMEGA, either verbal or written. OMEGA warrants only that the parts manufactured by the company will be as specified and free of defects. OMEGA MAKES NO OTHER WARRANTIES OR REPRESENTATIONS OF ANY KIND WHATSOEVER, EXPRESSED OR IMPLIED, EXCEPT THAT OF TITLE, AND ALL IMPLIED WARRANTIES INCLUDING ANY WARRANTY OF MERCHANTABILITY AND FITNESS FOR A PARTICULAR PURPOSE ARE HEREBY DISCLAIMED. LIMITATION OF LIABILITY: The remedies of purchaser set forth herein are exclusive, and the total liability of OMEGA with respect to this order, whether based on contract, warranty, negligence, indemnification, strict liability or otherwise, shall not exceed the purchase price of the component upon which liability is based. In no event shall OMEGA be liable for consequential, incidental or special damages.

CONDITIONS: Equipment sold by OMEGA is not intended to be used, nor shall it be used: (1) as a "Basic Component" under 10 CFR 21 (NRC), used in or with any nuclear installation or activity; or (2) in medical applications or used on humans. Should any Product(s) be used in or with any nuclear installation or activity, medical application, used on humans, or misused in any way, OMEGA assumes no responsibility as set forth in our basic WARRANTY/DISCLAIMER language, and, additionally, purchaser will indemnify OMEGA and hold OMEGA harmless from any liability or damage whatsoever arising out of the use of the Product(s) in such a manner.

RETURN REQUESTS/INQUIRIES

Direct all warranty and repair requests/inquiries to the OMEGA Customer Service Department. BEFORE RETURNING ANY PRODUCT(S) TO OMEGA, PURCHASER MUST OBTAIN AN AUTHORIZED RETURN (AR) NUMBER FROM OMEGA'S CUSTOMER SERVICE DEPARTMENT (IN ORDER TO AVOID PROCESSING DELAYS). The assigned AR number should then be marked on the outside of the return package and on any correspondence.

The purchaser is responsible for shipping charges, freight, insurance and proper packaging to prevent breakage in transit.

FOR **WARRANTY** RETURNS, please have the following information available BEFORE contacting OMEGA:

1. Purchase Order number under which the product was PURCHASED,
2. Model and serial number of the product under warranty, and
3. Repair instructions and/or specific problems relative to the product.

FOR **NON-WARRANTY** REPAIRS, consult OMEGA for current repair charges. Have the following information available BEFORE contacting OMEGA:

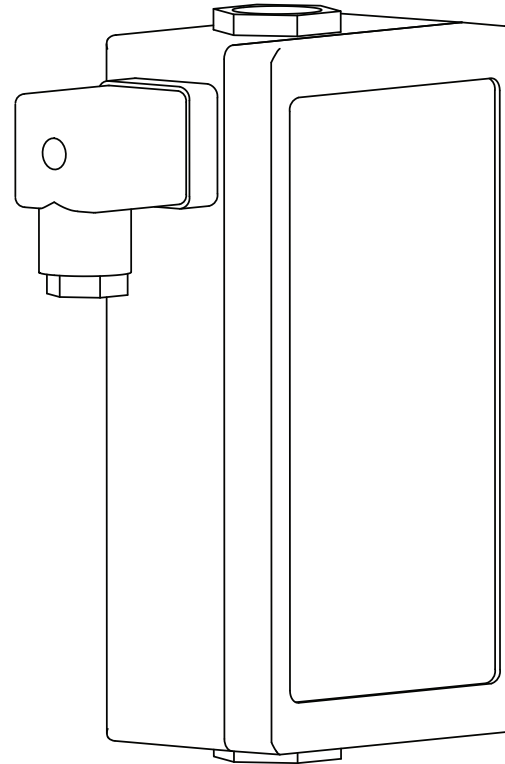
1. Purchase Order number to cover the COST of the repair,
2. Model and serial number of the product, and
3. Repair instructions and/or specific problems relative to the product.

OMEGA's policy is to make running changes, not model changes, whenever an improvement is possible. This affords our customers the latest in technology and engineering.

OMEGA is a registered trademark of OMEGA ENGINEERING, INC.

© Copyright 2007 OMEGA ENGINEERING, INC. All rights reserved. This document may not be copied, photocopied, reproduced, translated, or reduced to any electronic medium or machine-readable form, in whole or in part, without the prior written consent of OMEGA ENGINEERING, INC.

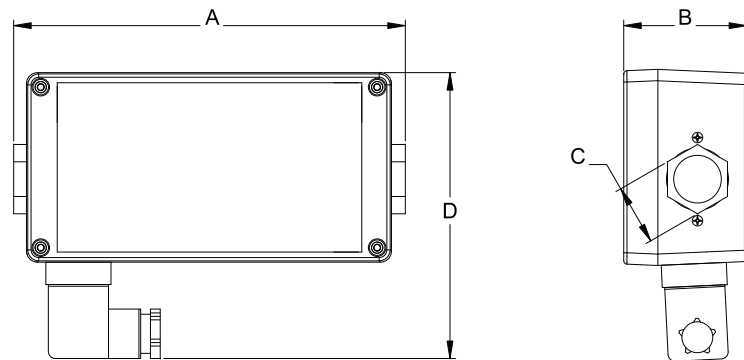
FLOWMETERS



FW1000 Series – Differential Pressure Flowmeters

Installation Information	5
Warning and Precautionary Areas	5
Installation Dos & Dont's	6
Field Configuration	7
0-5 Vdc Configurations	8
0-10 Vdc Configurations	9
4-20 mA Configurations	10
Operation	11
Contamination & Filtration	11

Materials of Construction	
End Ports	PVC
Wedge Element	PVC
Pressure Sensor	Polyetherimide
Electrical Enclosure	Polycarbonate
Performance	
Measuring Accuracy:	±2% of full-scale
Repeatability:	±.5% of full-scale
Flow Measuring Range:	5-15 GPM (19-57 LPM)
Turn Down Ratio (All Ranges):	8:1
Maximum Operating Pressure:	125 PSIG (8.6 bar)
Maximum Operating Temperature:	170°F (76°C)
Pressure Differential:	See graph.
Filtration Requirements:	200 Micron minimum
Electronic Specifications	
Electronic Output:	0-5/0-10 Vdc (standard), 4-20 mA (optional)
Power Requirements:	12-35 Vdc
Flow Measuring Range:	5-15 GPM (19-57 LPM)
Maximum Current Consumption:	25 mAdc
Maximum Load Resistance:	1000 Ω
Maximum Transmission Distance:	≤ 200 feet
Resolution:	Infinite
Response Time:	500 mS 10% to 90% (step change)
Protection:	Short circuit, transient & reverse polarity



DIM	3/8" Female NPTF	1/2" Female NPTF	3/4" Female NPTF
A	6-7/8" (175mm)	6-7/8" (175mm)	7-1/2" (191mm)
B	2-7/32" (57mm)	2-7/32" (57mm)	2-7/32" (57mm)
C	1-3/32" (28mm)	1-3/32" (28 mm)	1-5/16" (34 mm)
D	5-1/4" (134mm)	5-1/4" (134mm)	5-1/4" (134mm)

acceptable time period. The system should be stabilized in time to prevent premature wear, clogging or damage to meter components.

Contamination Sources

Fresh Fluid

When fresh fluid is stored in holding tanks, it may be contaminated with scale or particulate from inside the tank. To prevent this type of contamination, be sure to filter fresh fluid before adding to the system.

New Machinery Contamination

When building new machines, a certain amount of built-in contamination is unavoidable. Typical built-in contamination consists of dust, dirt, chips, fiber, and sand, flushing solutions, moisture, weld splatters and pipe sealants. Flushing the system before operation can reduce contamination, but cannot eliminate it totally. Unless the system is flushed at a high velocity, some contamination will not be dislodged until the system is in operation. System contamination can cause fluid component malfunction.

Environmental Contamination

When performing routine maintenance, the system's fluid is commonly exposed to environmental contamination. Exercise caution during routine maintenance to prevent this type of contamination. Be sure to change breather filter and systems air filter regularly.

Self-Generation Contamination

Self-generated contamination is a product of wear, cavitation, fluid breakdown and corrosion. Systems that are carefully flushed, maintained, and have fresh fluid added, mainly have self-generated contamination. In this case, proper filtration can prevent fluid component malfunction.

Installation

Basic Application Information

The flow meter can be installed directly in the fluid line without flow straighteners or special piping. The meter is used to measure the flow rate of most liquids which do not contain particles greater than 200 micron.

- 1) The flow metering element and plumbing connectors are made from PVC permitting use with a variety of media. Use of mild detergent to clean the meter body is encouraged to prevent damaging the label or associated components.
- 2) The meter may be mounted in the most convenient location, in any orientation to allow easy access for installation and maintenance.
- 3) The FW1000 Series meter should NOT be mounted near hot pipes or equipment which can cause damage to the device. The maximum temperature rating of 170°F (76°C) must be observed for ambient conditions as well as the fluid stream.
- 4) The FW1000 Series meter should not be mounted in a manner such that piping misalignment or other system components can not exert force or produce a bending moment on the pressure vessel.
- 5) To retain accuracy and repeatability internal passages are closely toleranced and require filtration of at least 200 micron.

Warning and Precautionary Areas

- 1) The pressure vessel of the flow meter and its associated components are made of Polyvinylchloride. Polyvinylchloride can be safely cleaned with soap and water. However, many other cleaning agents can damage Polyvinylchloride, causing cracking or crazing. If you are unsure of your cleaning agent, refer to a compatibility guide for PVC.
- 2) When installing FW1000 Series meters onto threaded pipe caution should be taken not to over tighten the pipe connections or introduce torque on the main body of the meter. The meter main body may rupture if over-tightened.
- 3) The FW1000 Series meter should not be used in systems where the assembled piping is not supported. Externally applied piping forces may cause the meter to rupture or malfunction.

- 4) Operating Temperature: In standard meters, several components have a maximum temperature rating of 170°F (76°C).
- 5) Operating Pressure: All meters are tested at a burst pressure three times of operating pressure. Meters should not be used over the operating pressure rating.
- 6) Pipe Sealer: Care should be taken when choosing a pipe sealing method. The use of pipe sealing pastes is often discouraged when sealing plastic fittings.

Basic Installation Instructions

The meters are mounted in-line and provide an electrical output that is proportional to flow rate. The meters can be mounted in a vertical or horizontal position as long as the fluid is flowing in the direction of the arrow on the enclosure. No straight pipe is required before or after the meter. In fact, 90° elbows can be installed on both ends without any noticeable flow variation. When installing a meter, apply “Teflon Tape” is the preferred means to seal the pipe threads. If tape is used, be sure to leave 1/8” (3 mm) of pipe thread exposed on end of pipe. Position filter in front of meter and in a location that allows easy access for routine maintenance. Refer to “Warnings and Precautionary Areas” for additional information.

Installation Dos & Don'ts:

To obtain satisfactory operation from the flow meter, the following points should be considered:

DO:

- place throttling valves at the outlet of the meter
- use pipe tape on the connections
- install solenoid valves at meter outlet (as far downstream as possible)
- mount in any orientation: vertical, horizontal or upside down

DO NOT:

- place meter in non-aligned piping
- use Teflon paste thread sealer
- over-flow the meter by more than 150% of maximum reading
- operate at pressures and temperatures greater than specified
- provide insufficient power for the excitation of the meter

Operation

Operating Principle

The FW1000 Series is a line of unique flow meters which combine the simplicity of a segmented wedge differential producer with a precise wetted micro pressure sensor. The meters are self contained and all of the wetted components are isolated from the electronics. Running through the enclosure is the segmented wedge metering element. The metering element is devised in a manner which provides minimal restriction to the flow and enables a design with no moving parts. As flow increases, the pressure differential across the metering element increases, providing for a predictable response of calibrated output.

Scaling the Electronics

All FW1000 Series come from the factory 100% calibrated and ready for use. The receiving device will generally need to be scaled to reflect the correct FSRV (full scale range value) of the calibration. Performing this task requires that the peak output of device is correlated to the range of FSRV of calibration ordered. Refer to the manufacturer specific documentation for the receiving device in question.

Effect of Varying Fluid Properties

Standard meters are calibrated for WATER with a specific gravity of 1.0. The segmented wedge meter is affected by changes in density as are most other meters based upon this principle. The indicated flow reading will read high for heavier fluids and low for lighter fluids. An alternate calibration can be applied to the meter for additional costs.

Contamination & Filtration

Recommended Filtration

The manufacturer recommends system filtration of at least 200 micron filter or screen. Some systems may require a magnetic filter. **IMPORTANT:** Meter damage caused by excessive contamination is not covered under warranty.

Stabilized Contamination

The goal of filtration is to create effective protection from system contamination. Proper filtration stabilizes contamination to allow fluid components to function properly. A fluid system is considered stabilized when, “contamination in” equals “contamination out”. Proper filtration must reduce initial contamination to a stabilized level within an

4-20 mA Configurations

Device Settings: (Refer to Table 1 for details of this output option.)

- 1) Using a small flat blade screwdriver, set the 10 position selector switch to position 0.
- 2) Verify that the 2 position jumper JP1 is shunting pins 2 & 3.
- 3) Connect the output connector to position B, as shown in Figure 3.

Table 3: (Field configurable settings for 4-20mA output option)

Configurable Control:	Setting:
10 position selector switch	Position 0
2 position jumper JP1	Pins 2 & 3 shunted
Output connector	Position B

Input Voltage:

The supply voltage must be between 12 and 35 VDC. The maximum resistance that may be placed within the current loop is given by the following formula:

$$R_{max} = 50(V_s - 12)$$

R_{max} = the maximum resistance that may be placed in the current loop Ω
 V_s = the value of the supply voltage (VDC)

NOTE: Although the signal conditioning circuit does have integral over-current protection, manufacturer suggests that the circuit be protected with a 0.25 amp fuse.

- 1) Connect the positive DC power source (+12 to +35 VDC) to terminal # 1 on the DIN connector or the red wire on the pigtail.
- 2) Connect terminal #2 of the DIN connector or the black wire from the pigtail to the positive current input on the receiving device.
- 3) If the power source does not originate from the receiving device, the negative side of the power supply must be connected to the signal ground of the receiving device.
- 4) If the transmitter is operating properly, the green LED on the signal conditioning board will illuminate dimly at zero flow and will increase in intensity as flow increases.

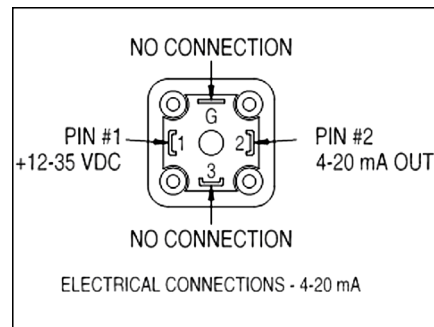


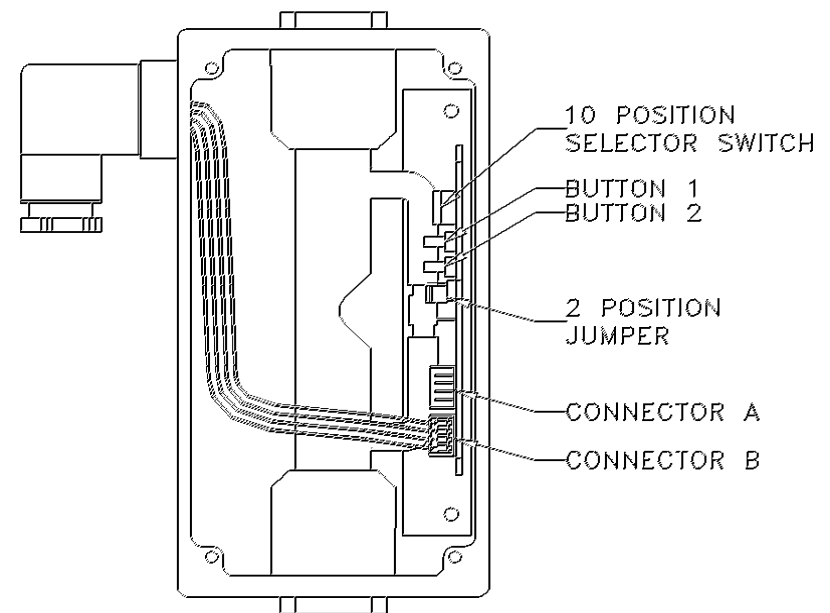
Figure 3

Configuration / Operating Modes

Field Configurable Outputs

The FW1000 flow meter can be field configured to offer a variety of output protocol signals. Possible outputs protocol options are 4-20mA, 0-5Vdc and 0-10Vdc. The following steps must be taken prior to making any field configuration changes.

- 1) Fluid flow to the device should be shut off; the device must not be under pressure.
- 2) The device should be disconnected from power prior to any field calibration.
- 3) All safety protocols for the environment in which the device is installed must be considered; remove the device from the installation if needed.
- 4) Removing the cover will reveal the internal signal conditioning circuitry and the field configurable controls. Figure 1 illustrates the field configurable attributes of the device which shall be referenced in subsequent sections of this manual.



0-5 Vdc Configurations

Device Settings: (Refer to Table 1 for details of this output option.)


- 1) Using a small flat blade screwdriver, set the 10 position selector switch to position 1. 
- 2) Verify that the 2 position jumper JP1 is shunting pins 2 & 3.
- 3) Connect the output connector to position A, refer to Figure 1.

Table 1: (Field configurable settings for 0-5Vdc output option)

Configurable Control:	0-5 Vdc Setting:
10 position selector switch	Position 1
2 position jumper JP1	Pins 2 & 3 shunted
Output connector	Position A

Electrical Connection:

Refer to Figure 1

Input Voltage:

The supply voltage must be between 12 and 35 VDC.

NOTE: The input impedance (resistance) of the receiving device must not be lower than 1000 Ω or non-linearity may result. Lower impedances will not damage the transmitter.

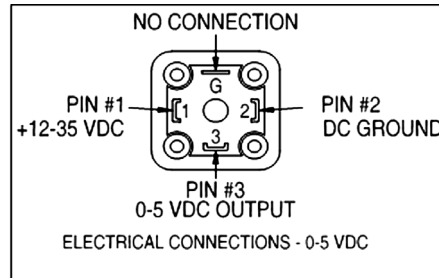


Figure 1

- 1) Connect the positive voltage source (+12 to +35 VDC) to terminal #1 of the DIN connector or the red wire on the pigtail.
- 2) Connect terminal #2 of the DIN connector or the black wire from the pigtail to the negative side of the DC voltage source.
- 3) Connect terminal #3 of the DIN connector or the white wire from the pigtail to the 0-5 VDC input of the receiving device.
- 4) If the power source does not originate at the receiving device, a wire will need to be connected between the negative side of the voltage source and the signal ground of the receiving device.
- 5) If the circuit is operating correctly, the green LED on the circuit board will illuminate brightly when power is applied to the unit.

0-10 Vdc Configurations

Device Settings: (Refer to Table 2 for details of this output option.)


- 1) Using a small flat blade screwdriver, set the 10 position selector switch to position 2. 
- 2) Verify that the 2 position jumper JP1 is shunting pins 2 & 3.
- 3) Connect the output connector to position A, refer to Figure 1.

Table 2: (Field configurable settings for 0-10Vdc output option)

Configurable Control:	0-10 Vdc Setting:
10 position selector switch	Position 2
2 position jumper JP1	Pins 2 & 3 shunted
Output connector	Position A

Electrical Connection:

Refer to Figure 2

Input Voltage:

The supply voltage must be between 12 and 35 VDC.

NOTE: The input impedance (resistance) of the receiving device must not be lower than 1000 Ω or non-linearity may result. Lower impedances will not damage the transmitter.

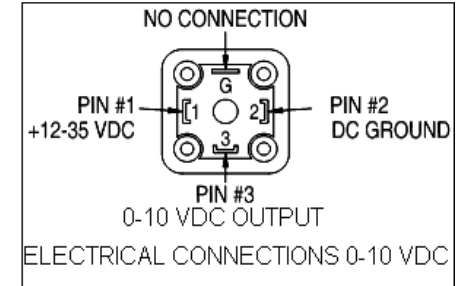


Figure 2

- 1) Connect the positive voltage source (+12 to +35 VDC) to terminal #1 of the DIN connector or the red wire on the pigtail.
- 2) Connect terminal #2 of the DIN connector or the black wire from the pigtail to the negative side of the DC voltage source.
- 3) Connect terminal #3 of the DIN connector or the white wire from the pigtail to the 0-10 VDC input of the receiving device.
- 4) If the power source does not originate at the receiving device, a wire will need to be connected between the negative side of the voltage source and the signal ground of the receiving device.
- 5) If the circuit is operating correctly, the green LED on the circuit board will illuminate brightly when power is applied to the unit.