

**Where Do I Find Everything I Need for  
Process Measurement and Control?  
OMEGA...Of Course!**

**Shop online at [www.omega.com](http://www.omega.com)**

**TEMPERATURE**

- Thermocouple, RTD & Thermistor Probes, Connectors, Panels & Assemblies
- Wire: Thermocouple, RTD & Thermistor
- Calibrators & Ice Point References
- Recorders, Controllers & Process Monitors
- Infrared Pyrometers

**PRESSURE, STRAIN AND FORCE**

- Transducers & Strain Gages
- Load Cells & Pressure Gages
- Displacement Transducers
- Instrumentation & Accessories

**FLOW/LEVEL**

- Rotameters, Gas Mass Flowmeters & Flow Computers
- Air Velocity Indicators
- Turbine/Paddlewheel Systems
- Totalizers & Batch Controllers

**pH/CONDUCTIVITY**

- pH Electrodes, Testers & Accessories
- Benchtop/Laboratory Meters
- Controllers, Calibrators, Simulators & Pumps
- Industrial pH & Conductivity Equipment

**DATA ACQUISITION**

- Data Acquisition & Engineering Software
- Communications-Based Acquisition Systems
- Plug-in Cards for Apple, IBM & Compatibles
- Datalogging Systems
- Recorders, Printers & Plotters

**HEATERS**

- Heating Cable
- Cartridge & Strip Heaters
- Immersion & Band Heaters
- Flexible Heaters
- Laboratory Heaters

**ENVIRONMENTAL**

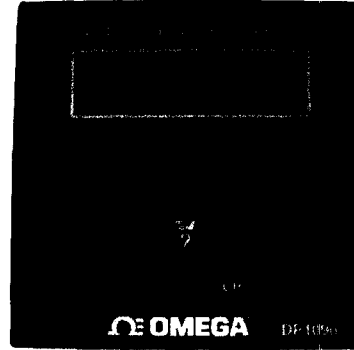
**MONITORING AND CONTROL**

- Metering & Control Instrumentation
- Refractometers
- Pumps & Tubing
- Air, Soil & Water Monitors
- Industrial Water & Wastewater Treatment
- pH, Conductivity & Dissolved Oxygen Instruments

**M3747/1101**



**User's Guide**



**Shop online at**

**[omega.com](http://omega.com)**

**www.omega.com**

**e-mail: [info@omega.com](mailto:info@omega.com)**



**DP1096**  
**10 Point 1/4 DIN Indicators**





CE OMEGA

<b>OMEGAnet® Online Service</b> <a href="http://www.omega.com">www.omega.com</a>	<b>Internet e-mail</b> <a href="mailto:info@omega.com">info@omega.com</a>
---	--

**Servicing North America:**

**USA:**  
ISO 9001 Certified  
One Omega Drive, Box 4047  
Stamford CT 06907-0047  
Tel: (203) 359-1660 FAX: (203) 359-7700  
e-mail: [info@omega.com](mailto:info@omega.com)

**Canada:**  
976 Berguir  
Laval (Quebec) H7L 5A1  
Tel: (514) 856-6928 FAX: (514) 856-6886  
e-mail: [info@omega.ca](mailto:info@omega.ca)

**For immediate technical or application assistance:**

**USA and Canada:** Sales Service: 1-800-826-6342 / 1-800-TC-OMEGA®  
Customer Service: 1-800-622-2378 / 1-800-622-BEST®  
Engineering Service: 1-800-872-9436 / 1-800-USA-WHEN®  
TELEX: 96404 EASYLINK: 62968934 CABLE: OMEGA

**Mexico:** En Español: (001) 203-359-7803 e-mail: [espanol@omega.com](mailto:espanol@omega.com)  
FAX: (001) 203-359-7807 [info@omega.com.mx](mailto:info@omega.com.mx)  
TEL: (203) 359-1660

**Servicing Europe:**

**Benelux:** Postbus 8034, 1180 LA Amstelveen, The Netherlands  
Tel: +31 (0)20 3472121 FAX: +31 (0)20 6434643  
Toll Free in Benelux: 0800 0993344  
e-mail: [sales@omegaeng.nl](mailto:sales@omegaeng.nl)

**Czech Republic:** Rudé armády 1868, 733 01 Karviná 8  
Tel: +420 (0)69 6311899 FAX: +420 (0)69 6311114  
Toll Free: 0800-1-66342 e-mail: [czech@omega.com](mailto:czech@omega.com)

**France:** 9, rue Denis Papin, 78190 Trappes  
Tel: +33 (0)130 621 400 FAX: +33 (0)130 699 120  
Toll Free in France: 0800-4-06342  
e-mail: [sales@omega.fr](mailto:sales@omega.fr)

**Germany/Austria:** Daimlerstrasse 26, D-75392 Deckenpfronn, Germany  
Tel: +49 (0)7056 9398-0 FAX: +49 (0)7056 9398-29  
Toll Free in Germany: 0800 639 7678  
e-mail: [info@omega.de](mailto:info@omega.de), patient-connected applications.

**United Kingdom:** One Omega Drive, River Bend Technology Centre  
ISO 9002 Certified Northbank, Irlam, Manchester  
M44 5BD United Kingdom  
Tel: +44 (0)161 777 6611 FAX: +44 (0)161 777 6622  
Toll Free in United Kingdom: 0800-488-488  
e-mail: [sales@omega.co.uk](mailto:sales@omega.co.uk)

It is the policy of OMEGA to comply with all worldwide safety and EMC/EMI regulations that apply. OMEGA is constantly pursuing certification of its products to the European New Approach Directives. OMEGA will add the CE mark to every appropriate device upon certification.

The information contained in this document is believed to be correct, but OMEGA Engineering, Inc. accepts no liability for any errors it contains, and reserves the right to alter specifications without notice. WARNING: These products are not designed for use in, and should not be used for

## TABLE OF CONTENTS

PAGE

1. INTRODUCTION .....	4
1.1 General Description .....	4
1.2 Accessories .....	4
2. GETTING STARTED .....	4
2.1 Unpacking .....	4
3. SAFETY CONSIDERATIONS .....	5
4. FRONT AND BACK PANEL DISPLAY .....	6
4.1 FRONT VIEW .....	6
4.2 BACK VIEW .....	7
5. OPERATING INSTRUCTIONS .....	8
6. CONSUMPTION .....	8
7. SPECIFICATIONS .....	8

## TABLES AND PICTURES

4-1 FRONT VIEW .....	6
4-2 BACK VIEW .....	7

## 1.0 INTRODUCTION

The DP1096 is a 10 point temperature indicator. It is able to measure the temperatures of 10 different locations and portray this information in a fashion very similar to watching television. Each location is assigned to a channel. To view the temperature of that location, you switch to that channel and it's temperature will appear on the screen.

### 1.1 General Description

- Popular 1/4 DIN size fits into standard industry panel cutouts.
- Large & super bright LED display
- Thumb wheel switch at front to select desired channel
- Channel number indicator at the channel switch.
- Type K, type J, and type T are available.
- Power AC 110/220 V

### 1.2 Accessories

This device comes with a set of mounting pins.

On the top and bottom surfaces of the device you will see three holes. To apply the mounting pins simply slip the two notches on the mounting pins into the first two holes closest to the screen.

## 2.0 GETTING STARTED

### 2.1 Unpacking

Remove the packing list and verify that you have received all equipment. Upon receipt of shipment, inspect the container and equipment for any signs of damage.

**NOTE :** If there is any evidence of rough handling in transit immediately report any damage to the shipping agent.

**NOTE :** The carrier will not honor any claims unless all shipping material is saved for their examination. After examining and removing contents, save packing materials and carton in the event reshipment is necessary.

### 3.0 SAFETY CONSIDERATIONS

#### Unpacking & Inspection

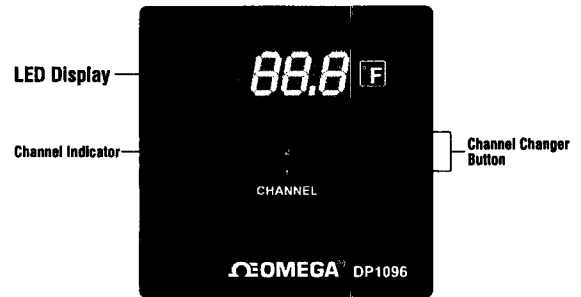
Unpack the instrument and inspect for obvious shipping damage. Do not attempt to operate the unit if damage is found.

This instrument is a panel mount device protected in accordance with Class I of EN 61010 (115/230 AC power connections). Installation of this instrument should be done by Qualified personnel. In order to ensure safe operation, the following instructions should be followed.

- This instrument has no power-no switch. An external switch or circuit-breaker shall be included in the building installation as a disconnecting device. It shall be marked to indicate this function, and it shall be in close proximity to the equipment within easy reach of the operator.
- Do not exceed voltage rating on the label located on the top of the instrument housing.
- Always disconnect power before changing signal and power connections.
- Do not use this instrument on a work bench without its case for safety reasons.
- Do not operate this instrument in flammable or explosive atmospheres.
- Do not expose this instrument to rain or moisture

### 4.0 FRONT AND BACK PANEL DISPLAY :

#### 4.1 FRONT VIEW

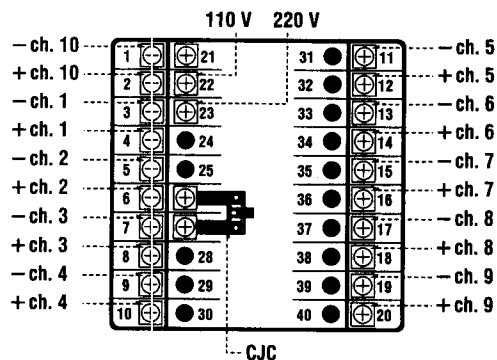


**LED Display :** This is the screen in which the temperature will be display.

**Channel Indicator :** The number show you which channel you have the device set to.

**Channel Changer Button :** These buttons allow you to change the channel. The positive button counts up and the negative button counts down.

## 4.2 BACK VIEW



**All of channel labels:** Each channel has a positive and a negative input terminal. The labels show which input terminal represents which channel and whether it is positive or negative.

**CJC:** Cold junction compensation.

**110 V:** Terminal 21 & 22 for power source 110 VAC input.

**220 V:** Terminal 21 & 23 for power source 220 VAC input.

## 5.0 OPERATION PROCEDURE

**NOTE:** This process goes for all four different types of the product DP1096.

1. Connect with the power source and the temperature sensor.
2. Power input P21 & P22 are for power sources with 110 VAC and P21 & P23 are for power sources with 220 VAC.
3. Every TYPE compensated wire is different.
4. Connect the wires according to the diagram that we have provide for you and to the one on the side of the device.
5. Thumb wheel channel by "+" or "-" to desired channel number, measured temperatures will be displayed at LED display.

## 6.0 CONSUMPTION

Wattage : 40mA x 110V = 5.5W

## 7.0 SPECIFICATIONS

Model No.	DP1069KC DP1069KF	DP1096JC DP1069JF	DP1096TC DP1096TF
Range :	-50 to 1350°C -60 to 1999°F	-50 to 750°C -60 to 1400°F	-200 to 200°C -330 to 390°F
Resolution :	1°C/°F	1°C/°F	1°C/°F
Accuracy :	0.25% FS	0.25% FS	0.25 % FS
Power :	AC 110V/220V		
Dimensions :	96 x 96 x 90 mm (3.77 x 3.77 x 5.54")		
Weight :	500g (17.64 oz.)		

## WARRANTY/DISCLAIMER

OMEGA ENGINEERING, INC. warrants this unit to be free of defects in materials and workmanship for a period of 13 months from date of purchase. OMEGA's Warranty adds an additional one (1) month grace period to the normal one (1) year product warranty to cover handling and shipping time. This ensures that OMEGA's customers receive maximum coverage on each product.

If the unit malfunctions, it must be returned to the factory for evaluation. OMEGA's Customer Service Department will issue an Authorized Return (AR) number immediately upon phone or written request. Upon examination by OMEGA, if the unit is found to be defective, it will be repaired or replaced at no charge. OMEGA's WARRANTY does not apply to defects resulting from any action outside of the purchaser, including but not limited to mishandling, improper interfacing, operation outside of design limits, improper repair, or unauthorized modification. This WARRANTY is VOID if the unit shows evidence of having been tampered with or shows evidence of having been damaged as a result of excessive corrosion; or current, heat, moisture or vibration; improper specification; misapplication; misuse or other operating conditions outside of OMEGA's control. Components which wear are not warranted, including but not limited to contact points, fuses, and triacs. Oduct(s) in such a manner.

OMEGA is pleased to offer suggestions on the use of its various products. However, OMEGA neither assumes responsibility for any omissions or errors nor assumes liability for any damages that result from the use of its products in accordance with information provided by OMEGA, either verbal or written. OMEGA warrants only that the parts manufactured by it will be as specified and free of defects. OMEGA MAKES NO OTHER WARRANTIES OR REPRESENTATIONS OF ANY KIND WHATSOEVER, EXPRESS OR IMPLIED, EXCEPT THAT OF TITLE, AND ALL IMPLIED WARRANTIES INCLUDING ANY WARRANTY OF MERCHANTABILITY AND FITNESS FOR A PARTICULAR PURPOSE ARE HEREBY DISCLAIMED. LIMITATION OF LIABILITY: The remedies of purchaser set forth herein are exclusive, and the total liability of OMEGA with respect to this order, whether based on contract, warranty, negligence, indemnification, strict liability or otherwise, shall not exceed the purchase price of the component upon which liability is based. In no event shall OMEGA be liable for consequential, incidental or special damages.

CONDITIONS: Equipment sold by OMEGA is not intended to be used, nor shall it be used: (1) as a "Basic Component" under 10 CFR 21 (NRC), used in or with any nuclear installation or activity; or (2) in medical applications or used on humans. Should any Product(s) be used in or with any nuclear installation or activity, medical application, used on humans, or misused in any way, OMEGA assumes no responsibility as set forth in our basic WARRANTY/DISCLAIMER language, and, additionally, purchaser will indemnify OMEGA and hold OMEGA harmless from any liability or damage whatsoever arising out of the use of the Product(s) in such a manner.

## RETURN REQUESTS/INQUIRIES

Direct all warranty and repair requests/inquiries to the OMEGA Customer Service Department. BEFORE RETURNING ANY PRODUCT(S) TO OMEGA, PURCHASER MUST OBTAIN AN AUTHORIZED RETURN (AR) NUMBER FROM OMEGA'S CUSTOMER SERVICE DEPARTMENT (IN ORDER TO AVOID PROCESSING DELAYS). The assigned AR number should then be marked on the outside of the return package and on any correspondence.

The purchaser is responsible for shipping charges, freight, insurance and proper packaging to prevent breakage in transit.

FOR WARRANTY RETURNS, please have the following information available BEFORE contacting OMEGA:

1. Purchase Order number under which the product was PURCHASED,
2. Model and serial number of the product under warranty, and
3. Repair instructions and/or specific problems relative to the product. ENGINEERING, INC.

FOR NON-WARRANTY REPAIRS, consult OMEGA for current repair charges. Have the following information available BEFORE contacting OMEGA:

1. Purchase Order number to cover the COST of the repair,
2. Model and serial number of the product, and
3. Repair instructions and/or specific problems relative to the product.

OMEGA's policy is to make running changes, not model changes, whenever an improvement is possible. This affords our customers the latest in technology and engineering.

OMEGA is a registered trademark of OMEGA ENGINEERING, INC.

© Copyright 2001 OMEGA ENGINEERING, INC. All rights reserved. This document may not be copied, photocopied, reproduced, translated, or reduced to any electronic medium or machine-readable form, in whole or in part, without the prior written consent of OMEGA