

CE



User's Guide



<http://www.omega.com>
e-mail: info@omega.com

DPG5000 PRESSURE GAUGES

M3366/0606

Where Do I Find Everything I Need for Process Measurement and Control? OMEGA...Of Course!

TEMPERATURE

- ✓ Thermocouple, RTD & Thermistor Probes, Connectors, Panels & Assemblies
- ✓ Wire: Thermocouple, RTD & Thermistor
- ✓ Calibrators & Ice Point References
- ✓ Recorders, Controllers & Process Monitors
- ✓ Infrared Pyrometers

PRESSURE, STRAIN AND FORCE

- ✓ Transducers & Strain Gages
- ✓ Load Cells & Pressure Gages
- ✓ Displacement Transducers
- ✓ Instrumentation & Accessories

FLOW/LEVEL

- ✓ Rotameters, Gas Mass Flowmeters & Flow Computers
- ✓ Air Velocity Indicators
- ✓ Turbine/Paddlewheel Systems
- ✓ Totalizers & Batch Controllers

pH/CONDUCTIVITY

- ✓ pH Electrodes, Testers & Accessories
- ✓ Benchtop/Laboratory Meters
- ✓ Controllers, Calibrators, Simulators & Pumps
- ✓ Industrial pH & Conductivity Equipment

DATA ACQUISITION

- ✓ Data Acquisition & Engineering Software
- ✓ Communications-Based Acquisition Systems
- ✓ Plug-in Cards for Apple, IBM & Compatibles
- ✓ Datalogging Systems
- ✓ Recorders, Printers & Plotters

HEATERS

- ✓ Heating Cable
- ✓ Cartridge & Strip Heaters
- ✓ Immersion & Band Heaters
- ✓ Flexible Heaters
- ✓ Laboratory Heaters

ENVIRONMENTAL MONITORING AND CONTROL

- ✓ Metering & Control Instrumentation
- ✓ Refractometers
- ✓ Pumps & Tubing
- ✓ Air, Soil & Water Monitors
- ✓ Industrial Water & Wastewater Treatment
- ✓ pH, Conductivity & Dissolved Oxygen Instruments

Table of Contents

<i>Warranty/Disclaimer</i>	2
<i>Return Requests/Inquiries</i>	3
<i>Instructions</i>	4
<i>Zero Trimming</i>	4
<i>Use of Auto-Tare Feature</i>	4
<i>Battery Replacement</i>	4
<i>Re-Calibration</i>	5
<i>Use Of Peak-Hold Feature (Optional)</i>	5
<i>Analog Output Option (0 To 2 VDC)</i>	5
<i>4-20 mA Transmitter Option</i>	6
<i>External Power (24 VDC) and 0 to 5 VDC Analog Output Option</i>	7
<i>External Power Without Other Options</i>	7

• **Warranty/Disclaimer**

OMEGA ENGINEERING, INC. warrants this unit to be free of defects in materials and workmanship for a period of **13 months** from date of purchase. OMEGA's Warranty adds an additional one (1) month grace period to the normal **one (1) year product warranty** to cover handling and shipping time. This ensures that OMEGA's customers receive maximum coverage on each product.

If the unit malfunctions, it must be returned to the factory for evaluation. OMEGA's Customer Service Department will issue an Authorized Return (AR) number immediately upon phone or written request. Upon examination by OMEGA, if the unit is found to be defective, it will be repaired or replaced at no charge. OMEGA's WARRANTY does not apply to defects resulting from any action of the purchaser, including but not limited to mishandling, improper interfacing, operation outside of design limits, improper repair, or unauthorized modification. This WARRANTY is VOID if the unit shows evidence of having been tampered with or shows evidence of having been damaged as a result of excessive corrosion; or current, heat, moisture or vibration; improper specification; misapplication; misuse or other operating conditions outside of OMEGA's control. Components which wear are not warranted, including but not limited to contact points, fuses, and triacs.

OMEGA is please to offer suggestions on the use of its various products. However, OMEGA neither assumes responsibility for any omissions or errors nor assumes liability for any damages that result from the use of its products in accordance with information provided by OMEGA, either verbal or written. OMEGA warrants only that the parts manufactured by it will be as specified and free of defects. OMEGA MAKES NO OTHER WARRANTIES OR REPRESENTATIONS OF ANY KIND WHATSOEVER, EXPRESS OR IMPLIED, EXCEPT THAT OF TITLE, AND ALL IMPLIED WARRANTIES INCLUDING ANY WARRANTY OF MERCHANTABILITY AND FITNESS FOR A PARTICULAR PURPOSE ARE HEREBY DISCLAIMED. LIMITATION OF LIABILITY: The remedies of purchaser set forth herein are exclusive, and the total liability of OMEGA with respect to this order, whether based on contract, warranty, negligence, indemnification, strict liability or otherwise, shall not exceed the purchase price of the component upon which liability is based. In no even shall OMEGA be liable for consequential, incidental or special damages.

CONDITIONS: Equipment sold by OMEGA is not intended to be used, nor shall it be used: (1) as a "Basic Component" under 10 CFR 21 (NRC), used in or with any nuclear installation or activity; or (2) in medical applications or used on humans. Should any Product(s) be used in or with any nuclear installation or activity, medical application, used on humans, or misused in any way, OMEGA assumes no responsibility as set forth in our basic WARRANTY/DISCLAIMER language, and, additionally, purchaser will indemnify OMEGA and hold OMEGA harmless from any liability or damage whatsoever arising out of the use of the Product(s) in such a manner.

• **Return Requests/Inquiries**

Direct all warranty and repair requests/inquiries to the OMEGA Customer Service Department. BEFORE RETURNING ANY PRODUCT(S) TO OMEGA, PURCHASER MUST OBTAIN AN AUTHORIZED RETURN (AR) NUMBER FROM OMEGA'S CUSTOMER SERVICE DEPARTMENT (IN ORDER TO AVOID PROCESSING DELAYS). The assigned AR number should then be marked on the outside of the return package and on any correspondence.

The purchaser is responsible for shipping charges, freight, insurance and proper packaging to prevent breakage in transit.

Warranty Returns

For WARRANTY RETURNS, please have the following information available BEFORE contacting OMEGA:

1. Purchase Order number under which the product was PURCHASED,
2. Model and serial number of the product under warranty, and
3. Repair instructions and/or specific problem relative to the product.

Non-Warranty Repairs

For NON-WARRANTY REPAIRS, consult OMEGA for current repair charges. Have the following information available BEFORE contact OMEGA:

1. Purchase Order number to cover the COST of the repair,
2. Model and serial number of the product, and
3. Repair instructions and/or specific problem relative to the product.

• Instructions

NOTE: All units are factory calibrated prior to shipment.

1. Zero Trimming

NOTE: Some units are equipped with zero “knob”.

If it becomes necessary to re-adjust the “Zero” on the display, this can be accomplished by turning the trimpot marked “Z” just to the left of the On/Off push button. On the DPG5000 there is either a zero adjustment knob or a black nylon cover screw. If the gauge has a cover screw, it is necessary to remove the cover screw to access the zero adjustment pot. An ideal zero is indicated by a reading of 000 with an intermittently flashing “-” sign.

NOTE: A jewelers screwdriver or an eyeglass repair screwdriver (supplied) is a suitable instrument. Do not make changes to the Span adjustment (the “S” pot to the right of the push button) as part of the zero trimming. The Span should only be changed as part of the re-calibration of a gauge with a known pressure source.

2. Use of Auto-Tare Feature

When the DPG5000 is first turned on you will notice that the display flashes for the first 4 seconds. If the On/Off button is pushed and held during this period, any existing reading will be re-set to zero. This allows the user to “Tare-Out” a starting weight in hydraulic weighing applications. To remove the Tare feature turn the unit off and back on again and do not push the On/Off button during the flashing period.

3. Battery Replacement (9 Volt Type)

The battery can be replaced simply by removing the single screw at the top of the battery door. Remove the old battery, unplug the cable connector and replace with Eveready type 216 or equivalent. Replace the battery door and secure with the self-tapping screw. (Do not overtighten)

NOTE: For best accuracy, re-calibration per step 4 should be performed at the time batteries are replaced.

4. Re-Calibration

This procedure requires a known pressure source of at least $\pm 0.1\%$ accuracy in order to fully utilize the accuracy potential of the DPG5000 (If not available, the gauge can be returned to OMEGA for re-calibration.)

Procedure:

- A. Ensure the Gauge is at 0 psig (or vacuum if absolute), and adjust the zero as per instructions in step 1.
- B. Apply full scale pressure to the pressure port and adjust the span (“S”) pot until the display reads the correct pressure.
- C. Re-check the zero and re-adjust the zero (“Z”) pot if required.
- D. Repeat steps B and C, until no further adjustment is required.

5. Use Of Peak-Hold Feature (Optional)

After initially turning the gage on (wait until the display stops flashing), a second push of the On/Off button energizes the peak-hold feature and causes an arrow to appear in the display. In this mode, only the highest reading sensed will be shown (until a higher reading comes along). This “peak” reading will be retained until the unit is reset by turning it off with a third push of the button. The sequence can then be re-initiated; one push for on in normal mode, two pushes for “peak-hold” mode and a third push for Off/Re-set.

6. Analog Output Option (0 To 2 VDC)

The 0–2 VDC analog output is accessed through a miniature “Phone Jack” (mate supplied) on the back of the unit (see External Power and 0-2 VDC Output Plug drawing on the last page). The “Tip” connection is “+ Output” and the center connection is “- Output”. **DO NOT CONNECT TO THE CASE CONNECTION.** This should only be used as a cable restraint. To minimize the effect on the battery life, the output should not be loaded with less than 100,000 ohms.

0 to 2 VDC Table

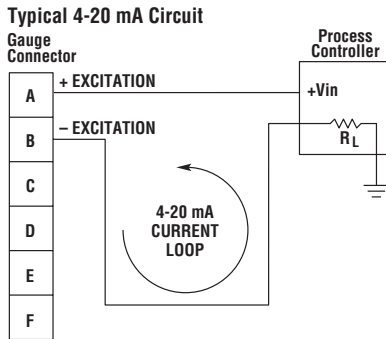
	0-2 VDC Output
Tip	+ Output
Center	- Output
Body	No connection

7. 4-20 mA Transmitter Option

When equipped with this option the gauge no longer operates from batteries but instead is “Loop Powered”. The loop connection is made to a 6 pin receptacle located at the rear of the unit (a mating plug is supplied). A voltage of between 9 and 32 VDC must be maintained at this connection (Pin A is “+” and Pin B is “-” see sketch) to insure proper operation. Completion of the earth or system ground (Pin F) is recommended for proper circuit protection.

Power supply voltage must be sufficient to maintain a minimum of 9 VDC at the gauge terminals after “dropping” voltage across R_L at full scale current (20 mA). Example: If $R_L = 250$ ohm then “drop” is $0.02 \text{ Amps} \times 250 \text{ ohm} = 5$ volts. Therefore power supply minimum is $5 \text{ V} + 9 \text{ V} = 14 \text{ V}$.

RE-CALIBRATION: The procedure is the same as in step 4, except that there are 2 sets of zero and span adjustments. The front panel controls affect the display and the rear controls (remove “battery” door) affect the 4/20 mA signal.



8. External Power (24 VDC) and 0 to 5 VDC Analog Output Option

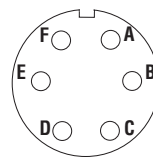
When equipped with this option the gauge no longer operates from batteries but instead is “externally powered”. Both the 24* VDC input power and the 0 to 5 VDC Analog Output are connected to the 6 pin circular connector on the rear of the unit. Pin connections are as follows:

**Actual range of input voltage is 12 to 31 VDC.*

24 VDC External Power and 0-5 V Analog Output

PIN -A- PLUS (+) 24 VDC POWER IN
 PIN -B- PLUS (+) ANALOG OUTPUT
 PIN -C- MINUS (-) ANALOG OUTPUT
 PIN -D- MINUS (-) 24 VDC POWER IN
 PIN -E- NO CONNECTION
 PIN -F- CASE GROUND

6 Pin Connector

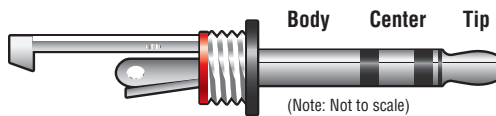


9. External Power Without Other Options

The external power input is accessed through a miniature “Phone Jack” (mate supplied) on the back of the unit. The “Tip” connection is “+ Power” and the center connection is “- Power”. **DO NOT CONNECT TO THE CASE CONNECTION.** This should only be used as a cable restraint.

It is important that you never remove or insert the “Phone Jack” connector into the gauge with the power turned on. This can damage the gauge and cause it to fail. **Only turn the power on after the “Phone Jack” has been inserted into the external power connector.**

External Power and 0-2 VDC Output Plug



Notes

Thank You for Purchasing OMEGA Products

OMEGA's policy is to make running changes, not model changes, whenever an improvement is possible. This affords our customers the latest in technology and engineering.

It is the policy of OMEGA to comply with all worldwide safety and EMC/EMI regulations that apply. OMEGA is constantly pursuing certification of its products to the European New Approach Directives. OMEGA will add the CE mark to every appropriate device upon certification.

The information contained in this document is believed to be correct, but OMEGA Engineering, Inc. accepts no liability for any errors it contains, and reserves the right to alter specifications without notice.

WARNING: These products are not designed for use in, and should not be used for, patient-connected applications.

Again, thank you for your interest in OMEGA.
We welcome the opportunity to help you achieve your application goals.

**OMEGAnet® On-Line Service**www.omega.com**Internet e-mail**info@omega.com**Servicing North America:**

USA: One Omega Drive, P.O. Box 4047
ISO 9001 Certified Stamford, CT 06907-0047
TEL: (203) 359-1660 FAX: (203) 359-7700
e-mail: info@omega.com

Canada: 976 Bergar
Laval (Quebec) H7L 5A1
TEL: (514) 856-6928 FAX: (514) 856-6886
e-mail: info@omega.ca

For immediate technical or application assistance:

USA and Canada: Sales Service: 1-800-826-6342 / 1-800-TC-OMEGA®
Customer Service: 1-800-622-2378 / 1-800-622-BEST®
Engineering Service: 1-800-872-9436 / 1-800-USA-WHEN®
TELEX: 996404 EASYLINK: 62968934 CABLE: OMEGA

Mexica: Tel: (001) 800-826-6342 FAX: (001) 203-359-7807
En Español: (001) 203-359-7803 e-mail: espanol@omega.com
info@omega.com.mx

Servicing Europe:

Benelux: Postbus 8034, 1180 LA Amstelveen, The Netherlands
TEL: +31 (0) 20 6418405 FAX: +31 (0) 20 6434643
Toll Free in Benelux: 0800 0993344
e-mail: nl@omega.com

Czech Republic: Rudé armády 1868, 733 01 Karviná
TEL: +420 (0) 69 6311899 FAX: +420 (0) 69 6311114
Toll Free in Czech Rep.: 0800-1-66342 e-mail: czech@omega.com

France: 9, rue Denis Papin, 78190 Trappes
TEL: +33 (0) 130 621400 FAX: +33 (0) 130 699120
Toll Free in France: 0800-4-06342
e-mail: france@omega.com

Germany/Austria: Daimlerstrasse 26, D-75392 Deckenpfronn, Germany
TEL: +49 (0) 7056 3017 FAX: +49 (0) 7056 8540
Toll Free in Germany: 0800 TC-OMEGASM
e-mail: germany@omega.com

United Kingdom: One Omega Drive, River Bend Technology Centre
ISO 9002 Certified Northbank, Irlam, Manchester
M44 5EX, United Kingdom
TEL: +44 (0) 161 777 6611 FAX: +44 (0) 161 777 6622
Toll Free in the United Kingdom: 0800 488 488
e-mail: sales@omega.co.uk