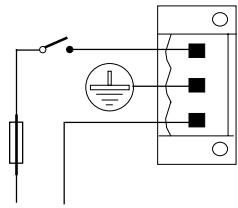
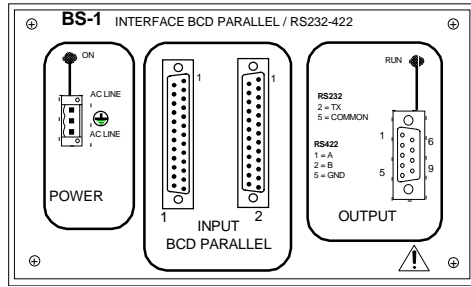


WIRING

Recommended power supply.



Power supply.
(See characteristics label).
Recommended fuse : 63 mA time-lag type.

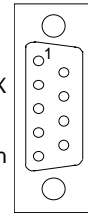


OUTPUT CONFIGURED AS :

RS-232

2 = TX

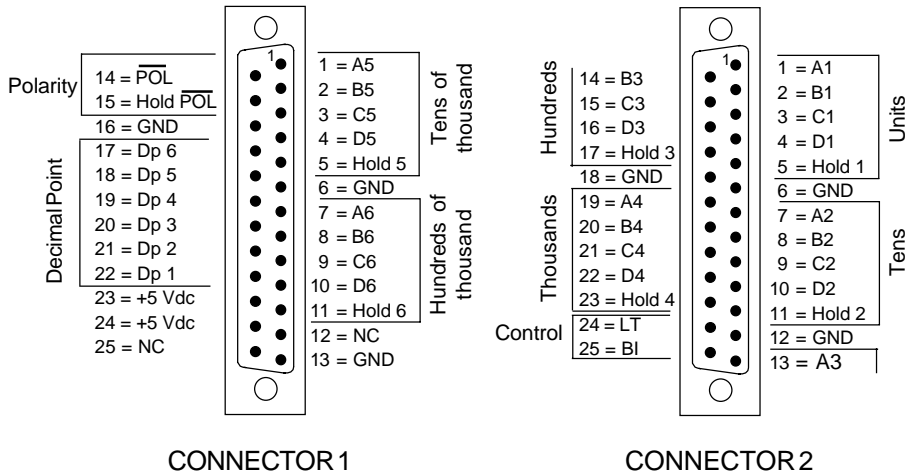
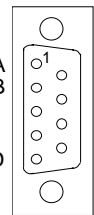
5 = Common



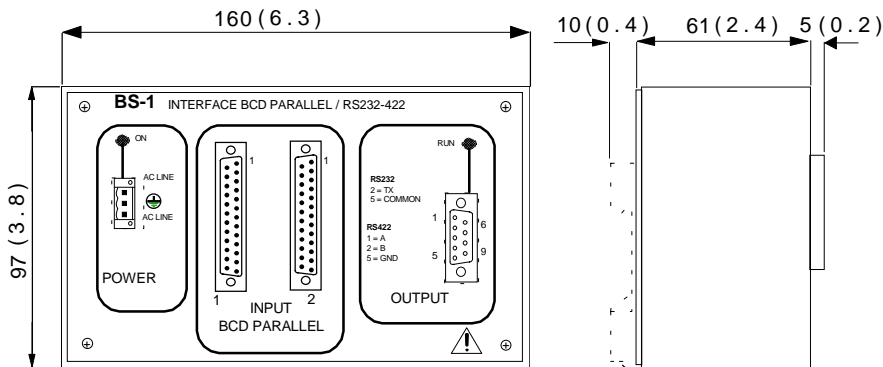
RS-422

1 = A
2 = B

5 = GND



MECHANICAL DIMENSIONS mm. (Inch.)



Option for DIN rail
Phoenix EM-MP 45.
Optional.