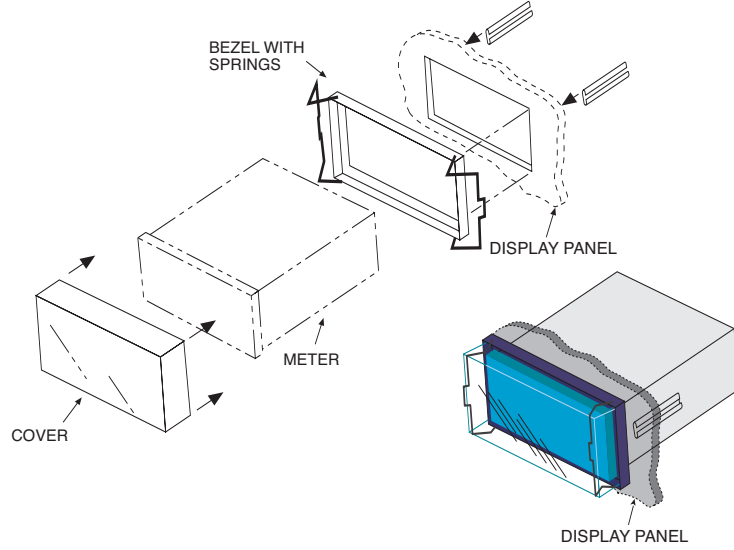
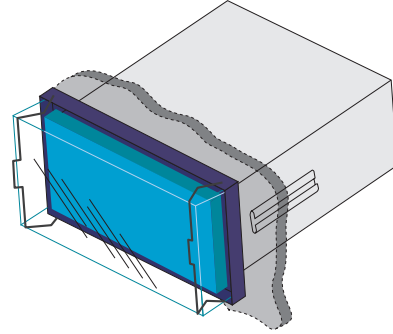


SPC splash-proof covers provide additional protective for instruments. Following NEMA-4 (IP65) guidelines for windblown dust and rain, splashing water and hose-directed water, SPC covers form a protective seal around the instrument. They are available in 1/16 square and rectangular, 1/8, 1/4 and 3/64 DIN sizes.



1. Peel off the protective paper cover from the back of the bezel.
2. Insert the meter through the splash guard bezel.
3. Install meter assembly into panel.
4. Place plastic cover over face of unit.
5. Press cover in firmly, swing springs over the front of the cover and snap into place.

To Remove: Use a small screwdriver through the notch in the wire spring and gently pry towards the outer edge.



SPC14, SPC18, SPC116-R, SPC116-S, SPC364 Splash-Proof Covers

User's Guide

Shop online at

omega.com®

Ω OMEGA®

omega.com
e-mail: info@omega.com
For latest product manuals:
omegamannual.info

OMEGANet® On-Line Service
omega.com
Internet e-mail
info@omega.com

Servicing North America:

USA:
ISO 9001 Certified

One Omega Drive, Box 4047, Stamford CT 06907-0047

Tel: (203) 359-1660, FAX: (203) 359-7700

e-mail: info@omega.com

Canada:

976 Bergar, Laval (Quebec) HTL 5A1, Canada

Tel: (514) 856-6928, FAX: (514) 856-6886

e-mail: info@omega.ca

Czech Republic:

Fyzická 184, 233 01 Kariňava, Czech Republic

Tel: +420 (0)39 6311899 FAX: +420 (0)39 6311114

e-mail: info@omegashop.cz

e-mail: info@omega.de

Toll Free in Germany: 0800 639 7678

Tel: 49 (0)7056 9398-0 FAX: 49 (0)7056 9398-29

Deckenpforten, Germany

One Omega Drive

River Bend Technology Centre

Northbank, Irlam, Manchester

M44 5BD, United Kingdom

FAX: +44 (0)161 777-6622

Tel: +44 (0)161 777-6611

Toll Free in United Kingdom: 0800-488-488

e-mail: info@omega.co.uk

It is the policy of OMEGA to comply with all worldwide safety and EMC/EMI regulations that apply. OMEGA is constantly pursuing certification of its products to the European New Approach Directives. OMEGA will add the CE mark to every appropriate device upon certification. The information contained in this document is believed to be correct, but OMEGA Engineering, Inc. accepts no liability for any errors it contains. **WARNING:** These products are not designed for use in, and should not be used for, human applications.

Servicing Europe:

Mexico:

En Español: (001) 203-359-7803, FAX: (001) 203-359-7807

e-mail: espanol@omega.com info@omega.com.mx

USA and Canada:

Sales Service: 1-800-826-6342 / 1-800-TC-OMEGA®

Customer Service: 1-800-622-2378 / 1-800-622-BEST®

Engineering Service: 1-800-827-9436 / 1-800-USA-WHEN® TELE:

En Español: (001) 203-359-7803, FAX: (001) 203-359-7807

e-mail: espanol@omega.com info@omega.com.mx

M198696/1006