

PSW-800 Series Pressure Switches Operator's Manual: M1475/0802

GENERAL

The OMEGA PSW-800 Series pressure switches are rugged economical switches with models for vacuum on up to 7500 PSIG. Part numbers and ranges information is outlined in the "MODEL NUMBER INFORMATION" section below.

PSW-800 Pressure switches feature high overpressure protection which allows sensitive, accurate switching at low pressures, while still having the ruggedness to survive in high pressure applications.

UNPACKING

Remove the packing list and verify that all equipment has been received. If there are any questions about the shipment, please call OMEGA Customer Service Department at 1-800-622-2378 or (203) 359-1660.

Upon receipt of the shipment, inspect the container and equipment for any signs of damage. Take particular note of any evidence of rough handling in transit. Immediately report any damage to the shipping agent.

NOTE:

The carrier will not honor any claims unless all shipping material is saved for their examination. After examining and removing contents, save packing material and carton in the event reshipment is necessary.

PRESSURE SWITCH ADJUSTMENT

A change in setpoint is made by first loosening the locking set screw and then turning the external adjustment sleeve. Turning the sleeve counterclockwise will lower the setpoint. Turning the sleeve clockwise will raise the setpoint. For best results after setting the switch, cycle the system pressure level several times to stabilize the new setpoint then repeat the adjustment if necessary. After completing the adjustment tighten the locking set screws.

SPECIFICATIONS

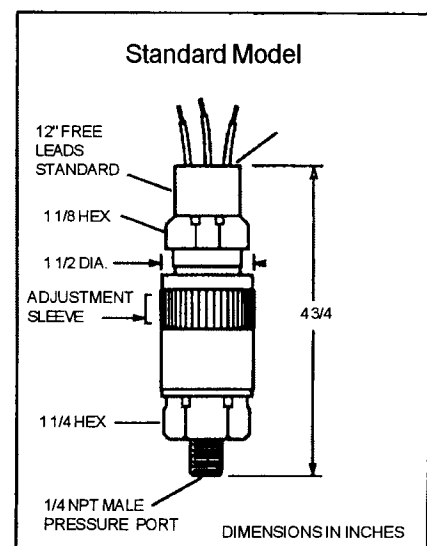
Temp. Range: -20 to 165°F (500 PSI and below)
-40 to 165°F (600 PSI and above)

Wetted Parts: (See "When Pressure is Increasing" rating)	
500 PSI and below	600 PSI and above
Body: Brass	Body: Brass
Diaphragm: Buna-N	Seals: Buna-N "O" ring
	Piston: Stainless Steel

Electrical Connection: 12" free leads with 1/2" female plastic conduit fitting

Pressure Connection: 1/4" NPT male

Contact Rating: 5 amp max @ 125/250 Vac



MODEL NUMBER INFORMATION

Model Number	Pressure Setting Range				DeadBand Range	Proof Pressure*
	When Pressure is Decreasing		When Pressure is Increasing			
	Min	Max	Min	Max		
VACUUM MODELS (In.Hg.)						
PSW-801	1" Hg	28" Hg	6" Hg	30" Hg	1 to 6" Hg	30 PSI
PRESSURE MODELS (PSIG)						
PSW-802	2.5	12.8	3	15	.5 to 2.2	1000 PSI
PSW-803	5	31	6	35	1.0 to 4.0	1000 PSI
PSW-804	8.5	44	10	50	1.5 to 6.0	1000 PSI
PSW-805	22.5	112	25	125	2.5 to 13	1000 PSI
PSW-806	70.0	220	80	250	10 to 30	1000 PSI
PSW-807	110	440	130	500	20 to 60	1000 PSI
PSW-808	180	450	250	600	60 to 150	7000 PSI
PSW-809	360	1450	430	1700	70 to 250	7000 PSI
PSW-810	1450	3900	1650	4400	200 to 500	7000 PSI
PSW-811	3650	6700	4000	7500	350 to 800	12000 PSI

* maximum pressure without damaging unit.

WIRING

All PSW-800 Series switches utilize a SPDT switch rated for 5 amps at 250 Vac maximum. Connections are made via the three 12 inch long color coded lead wires. Color coding for the lead wires is as follows:

Vacuum Models (PSW-801) Common: Purple Normally Open: Blue Normally Closed: Red	Pressure Models (PSW-802 - PSW-811) Common: Purple Normally Open: Red Normally Closed: Blue
---	---



WARRANTY/DISCLAIMER

OMEGA ENGINEERING, INC. warrants this unit to be free of defects in materials and workmanship for a period of 13 months from date of purchase. OMEGA's WARRANTY adds an additional one (1) month grace period to the normal one (1) year product warranty to cover handling and shipping time. This ensures that OMEGA's customers receive maximum coverage on each product.

If the unit malfunctions, it must be returned to the factory for evaluation. OMEGA's Customer Service Department will issue an Authorized Return (AR) number immediately upon phone or written request. Upon examination by OMEGA, if the unit is found to be defective, it will be repaired or replaced at no charge. OMEGA's WARRANTY does not apply to defects resulting from any action of the purchaser, including but not limited to mishandling, improper interfacing, operation outside of design limits, improper repair, or unauthorized modification. This WARRANTY is VOID if the unit shows evidence of having been tampered with or shows evidence of having been damaged as a result of excessive corrosion; or current, heat, moisture or vibration; improper specification; misapplication; misuse or other operating conditions outside of OMEGA's control. Components which wear are not warranted, including but not limited to contact points, fuses, and knacs.

OMEGA is pleased to offer suggestions on the use of its various products. However, OMEGA neither assumes responsibility for any omissions or errors nor assumes liability for any damages that result from the use of its products in accordance with information provided by OMEGA, either verbal or written. OMEGA warrants only that the parts manufactured by it will be as specified and free of defects. OMEGA MAKES NO OTHER WARRANTIES OR REPRESENTATIONS OF ANY KIND WHATSOEVER, EXPRESS OR IMPLIED, EXCEPT THAT OF TITLE, AND ALL IMPLIED WARRANTIES INCLUDING ANY WARRANTY OF MERCHANTABILITY AND FITNESS FOR A PARTICULAR PURPOSE ARE HEREBY DISCLAIMED. LIMITATION OF LIABILITY: The remedies of purchaser set forth herein are exclusive, and the total liability of OMEGA with respect to this order, whether based on contract, warranty, negligence, indemnification, strict liability or otherwise, shall not exceed the purchase price of the component upon which liability is based. In no event shall OMEGA be liable for consequential, incidental or special damages.

CONDITIONS: Equipment sold by OMEGA is not intended to be used, nor shall it be used: (1) as a "Basic Component" under 10 CFR 21 (NRC), used in or with any nuclear installation or activity, or (2) in medical applications or used on humans. Should any Product(s) be used in or with any nuclear installation or activity, medical application, used on humans, or misused in any way, OMEGA assumes no responsibility as set forth in our basic WARRANTY/DISCLAIMER language, and, additionally, purchaser will indemnify OMEGA and hold OMEGA harmless from any liability or damage whatsoever arising out of the use of the Product(s) in such a manner.

RETURN REQUESTS / INQUIRIES

Direct all warranty and repair requests/inquiries to the OMEGA Customer Service Department. BEFORE RETURNING ANY PRODUCT(S) TO OMEGA, PURCHASER MUST OBTAIN AN AUTHORIZED RETURN (AR) NUMBER FROM OMEGA'S CUSTOMER SERVICE DEPARTMENT (IN ORDER TO AVOID PROCESSING DELAYS). The assigned AR number should then be marked on the outside of the return package and on any correspondence.

The purchaser is responsible for shipping charges, freight, insurance and proper packaging to prevent breakage in transit.

FOR **WARRANTY** RETURNS, please have the following information available BEFORE contacting OMEGA:

1. Purchase Order number under which the product was PURCHASED,
2. Model and serial number of the product under warranty, and
3. Repair instructions and/or specific problems relative to the product.

FOR **NON-WARRANTY** REPAIRS, consult OMEGA for current repair charges. Have the following information available BEFORE contacting OMEGA:

1. Purchase Order number to cover the COST of the repair,
2. Model and serial number of the product, and
3. Repair instructions and/or specific problems relative to the product.

OMEGA's policy is to make running changes, not model changes, whenever an improvement is possible. This affords our customers the latest in technology and engineering.

OMEGA is a registered trademark of OMEGA ENGINEERING, INC.

© Copyright 2000 OMEGA ENGINEERING, INC. All rights reserved. This document may not be copied, photocopied, reproduced, translated, or reduced to any electronic medium or machine-readable form, in whole or in part, without the prior written consent of OMEGA ENGINEERING, INC.

OMEGAnet® On-Line Service www.omega.com	Internet e-mail info@omega.com
--	--

Servicing North America:

USA: One Omega Drive, Box 4047
 Stamford CT 06907-0047
 Tel: (203) 359-1860 FAX: (203) 359-7700
 e-mail: info@omega.com

Canada: 978 Bargar
 Laval (Quebec) H7L 5A1
 Tel: (514) 866-6923 FAX: (514) 866-6886
 e-mail: info@omega.ca

For Immediate technical or application assistance:

USA and Canada: Sales Service: 1-800-826-6342 / 1-800-TC-OMEGA®
 Customer Service: 1-800-622-2378 / 1-800-622-BEST™
 Engineering Service: 1-800-872-9436 / 1-800-USA-WHEN®
 TELEX: 996404 EASYLINK: 62968934 CABLE: OMEGA

Mexico: En Español: (001) 203-359-7803 e-mail: espanol@omega.com
 FAX: (001) 203-359-7807 info@omega.com.mx

Servicing Europe:

Benelux: Postbus 8034, 1180 LA Amstelveen, The Netherlands
 Tel: +31 (0)20 6418405 FAX: +31 (0)20 6434643
 Toll Free in Benelux: 0800 0993344
 e-mail: nl@omega.com

Czech Republic: Rudé armády 1868, 733 01 Karviná 8
 Tel: +420 (0)69 6311899 FAX: +420 (0)69 6311114
 Toll Free: 0800-1-66342 e-mail: czech@omega.com

France: 9, rue Denis Papin, 81190 Trappes
 Tel: +33 (0)130 621 400 FAX: +33 (0)130 699 120
 Toll Free in France: 0800 4 06342
 e-mail: france@omega.com

Germany/Austria: Daimlerstrasse 26, D-76392 Deckenpfronn, Germany
 Tel: +49 (0)7059 9398-0 FAX: +49 (0)7056 9398-29
 Toll Free in Germany: 0800 639 7678
 e-mail: germany@omega.com

United Kingdom: One Omega Drive, River Bend Technology Centre
 Northbank, Irlam, Manchester
 M44 5EX United Kingdom
 Tel: +44 (0)161 777 6611 FAX: +44 (0)161 777 6622
 Toll Free in United Kingdom: 0800-489-488
 e-mail: sales@omega.co.uk

It is the policy of OMEGA to comply with all worldwide safety and EMC/EMI regulations that apply. OMEGA is constantly pursuing certification of its products to the European New Approach Directives. OMEGA will add the CE mark to every appropriate device upon certification.