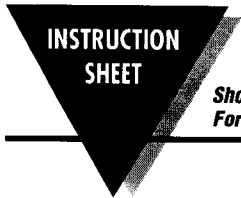


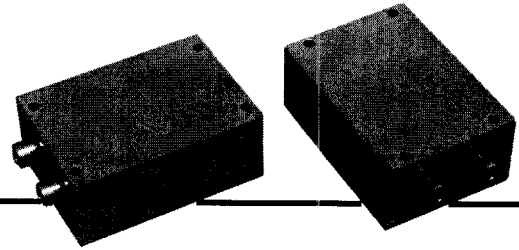
PX273

Differential Pressure Transducer



M1446/0708

Shop online at: omega.com e-mail: info@omega.com
For latest product manuals: omegamannual.info



SPECIFICATIONS

Accuracy*: ± 1%

Linearity: ± 0.1%

Repeatability: ± 0.1%

Hysteresis: ± 0.1%

Port: 1/8" NPT

Maximum Differential Pressure: 200% of rated range

Maximum Static Pressure: 200% of DP range

Media: Liquid/gases compatible to 304 SS

Enclosure: 16 Ga. steel NEMA-1 (IP-30)

Finish: Painted gray PMS2GR88B

Compensated Temperature Range: 0°F to 180°F (18°C to 82°C)

Maximum Supply Voltage: 12 to 24 Vdc non regulated

Mounting Orientation Error: None (100% solid state)

* Includes linearity, repeatability, hysteresis, stability, and temperature compensation.

INSTALLATION PRECAUTIONS

Do not use on oxygen service, in an explosive or hazardous environment, or with flammable or combustible material.

Disconnect the power supply before installing the transducer. Failure to do so can result in electrical shock and equipment damage.

Make all connections in accordance with the job wiring diagram and national and local electrical codes.

Use electrostatic discharge precautions such as wrist straps when installing and wiring the transducer.

Do not exceed ratings for the transducer.

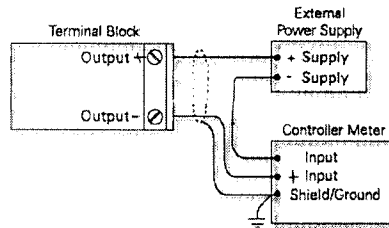
MOUNTING

1. Use a Phillips screwdriver to remove the four 6-32 cover screws. Set the cover and screws aside.
2. Locate the three 3/16" mounting holes on the transducer enclosure.
3. Connect the transducer to the mounting surface with three self-tapping mounting screws (not provided). Do not overtighten the screws. Overtightening can put strain on the circuit board and harm the transducer's calibration.
4. Make the wiring connections.
5. Replace the transducer cover and screws.
6. Make the pressure connections.

WIRING

Use 12 AWG wire maximum for wiring terminals.

1. Note the terminal block numbering.
2. If using an external power supply, make these connections:
 - power supply voltage to the positive supply voltage terminal [1]
 - power supply common to the negative supply voltage terminal [2]



3. Connect the controller/meter input signal to the positive output terminal [3] and the controller/meter common to the negative output terminal [4].
4. Apply power to the transducer.
5. Check for the appropriate output signal using a digital voltmeter connected to the output terminals [3] and [4]. Make sure to set the voltmeter to DC milliamps for mA output transducers and DC volts for VDC output transducers.

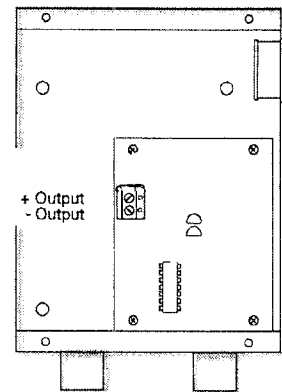
PRESSURE RANGES

Model	Range
020 DI	0 to 20 PSI
030 DI	0 to 30 PSI
050 DI	0 to 50 PSI
100 DI	0 to 100 PSI
200 DI	0 to 200 PSI
300 DI	0 to 300 PSI

CALIBRATION

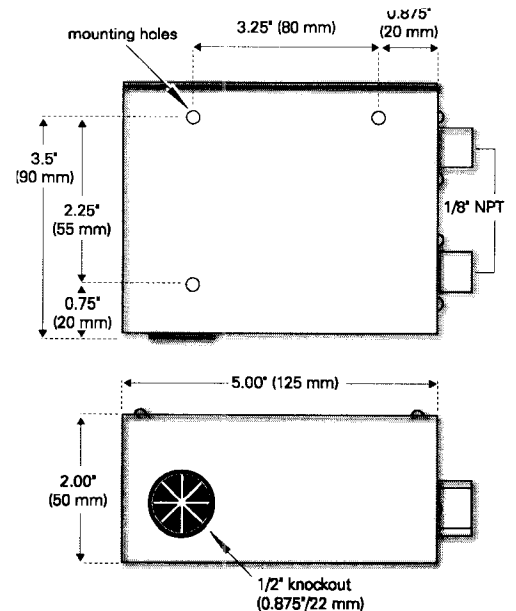
All transducers are factory calibrated to meet or exceed published specifications. If field adjustment is necessary, follow these instructions:

1. Connect as shown in wiring section.



2. For mA output transducers, connect an amp meter in place on the "controller meter" shown.
3. With the ports disconnected from pressure, carefully adjust the zero trimmer [Z] to obtain an output of 4 mA.
4. Apply full scale pressure and adjust the span trimmer(s) to obtain an output of 20 mA.

DIMENSIONS





OMEGAnet® Online Service
omega.com

Internet e-mail
info@omega.com

Servicing North America:

U.S.A.:
ISO 9001 Certified
One Omega Drive, Box 4047
Stamford, CT 06907-0047
Tel: (203) 359-1660
FAX: (203) 359-7700
e-mail: info@omega.com

Canada:
976 Bergar
Laval (Quebec) H7L 5A1, Canada
Tel: (514) 856-6928
FAX: (514) 856-6886
e-mail: info@omega.ca

For immediate technical or application assistance:

U.S.A. and Canada: Sales Service: 1-800-826-6342/1-800-TC-OMEGA®
Customer Service: 1-800-622-2378/1-800-622-BEST®
Engineering Service: 1-800-872-9436/1-800-USA-WHEN®

Mexico:
En Español: (001) 203-359-7803
FAX: (001) 203-359-7807
e-mail: espanol@omega.com
info@omega.com.mx

Servicing Europe:

Czech Republic: Frystatska 184, 733 01 Karviná, Czech Republic
Tel: +420 (0)59 6311899
FAX: +420 (0)59 6311114
Toll Free: 0800-1-66342
e-mail: info@omegashop.cz

Germany/Austria: Daimlerstrasse 26, D-75392 Deckenpfronn, Germany
Tel: +49 (0)7056 9398-0
FAX: +49 (0)7056 9398-29
Toll Free in Germany: 0800 639 7678
e-mail: info@omega.de

United Kingdom: One Omega Drive, River Bend Technology Centre
ISO 9001 Certified
Northbank, Irlam, Manchester
M44 5BD United Kingdom
Tel: +44 (0)161 777 6611
FAX: +44 (0)161 777 6622
Toll Free in United Kingdom: 0800-488-488
e-mail: sales@omega.co.uk

It is the policy of OMEGA Engineering, Inc. to comply with all worldwide safety and EMC/EMI regulations that apply. OMEGA is constantly pursuing certification of its products to the European New Approach Directives. OMEGA will add the CE mark to every appropriate device upon certification.

The information contained in this document is believed to be correct, but OMEGA accepts no liability for any errors it contains, and reserves the right to alter specifications without notice.

WARNING: These products are not designed for use in, and should not be used for, human applications.



WARRANTY/DISCLAIMER

OMEGA ENGINEERING, INC. warrants this unit to be free of defects in materials and workmanship for a period of **13 months** from date of purchase. OMEGA's WARRANTY adds an additional one (1) month grace period to the normal **one (1) year product warranty** to cover handling and shipping time. This ensures that OMEGA's customers receive maximum coverage on each product.

If the unit malfunctions, it must be returned to the factory for evaluation. OMEGA's Customer Service Department will issue an Authorized Return (AR) number immediately upon phone or written request. Upon examination by OMEGA, if the unit is found to be defective, it will be repaired or replaced at no charge. OMEGA's WARRANTY does not apply to defects resulting from any action of the purchaser, including but not limited to mishandling, improper interfacing, operation outside of design limits, improper repair, or unauthorized modification. This WARRANTY is VOID if the unit shows evidence of having been tampered with or shows evidence of having been damaged as a result of excessive corrosion; or current, heat, moisture or vibration; improper specification; misapplication; misuse or other operating conditions outside of OMEGA's control. Components in which wear is not warranted, include but are not limited to contact points, fuses, and triacs.

OMEGA is pleased to offer suggestions on the use of its various products. However, OMEGA neither assumes responsibility for any omissions or errors nor assumes liability for any damages that result from the use of its products in accordance with information provided by OMEGA, either verbal or written. OMEGA warrants only that the parts manufactured by the company will be as specified and free of defects. OMEGA MAKES NO OTHER WARRANTIES OR REPRESENTATIONS OF ANY KIND WHATSOEVER, EXPRESSED OR IMPLIED, EXCEPT THAT OF TITLE, AND ALL IMPLIED WARRANTIES INCLUDING ANY WARRANTY OF MERCHANTABILITY AND FITNESS FOR A PARTICULAR PURPOSE ARE HEREBY DISCLAIMED. LIMITATION OF LIABILITY: The remedies of purchaser set forth herein are exclusive, and the total liability of OMEGA with respect to this order, whether based on contract, warranty, negligence, indemnification, strict liability or otherwise, shall not exceed the purchase price of the component upon which liability is based. In no event shall OMEGA be liable for consequential, incidental or special damages.

CONDITIONS: Equipment sold by OMEGA is not intended to be used, nor shall it be used: (1) as a "Basic Component" under 10 CFR 21 (NRC), used in or with any nuclear installation or activity; or (2) in medical applications or used on humans. Should any Product(s) be used in or with any nuclear installation or activity, medical application, used on humans, or misused in any way, OMEGA assumes no responsibility as set forth in our basic WARRANTY/DISCLAIMER language, and, additionally, purchaser will indemnify OMEGA and hold OMEGA harmless from any liability or damage whatsoever arising out of the use of the Product(s) in such a manner.

RETURN REQUESTS / INQUIRIES

Direct all warranty and repair requests/inquiries to the OMEGA Customer Service Department. **BEFORE RETURNING ANY PRODUCT(S) TO OMEGA, PURCHASER MUST OBTAIN AN AUTHORIZED RETURN (AR) NUMBER FROM OMEGA'S CUSTOMER SERVICE DEPARTMENT (IN ORDER TO AVOID PROCESSING DELAYS).** The assigned AR number should then be marked on the outside of the return package and on any correspondence.

The purchaser is responsible for shipping charges, freight, insurance and proper packaging to prevent breakage in transit.

FOR **WARRANTY** RETURNS, please have the following information available BEFORE contacting OMEGA:

- 1. Purchase Order number under which the product was PURCHASED,
- 2. Model and serial number of the product under warranty, and
- 3. Repair instructions and/or specific problems relative to the product.

FOR **NON-WARRANTY** REPAIRS, consult OMEGA for current repair charges. Have the following information available BEFORE contacting OMEGA:

- 1. Purchase Order number to cover the COST of the repair,
- 2. Model and serial number of the product, and
- 3. Repair instructions and/or specific problems relative to the product.

OMEGA's policy is to make running changes, not model changes, whenever an improvement is possible. This affords our customers the latest in technology and engineering. OMEGA is a registered trademark of OMEGA ENGINEERING, INC.

© Copyright 2008 OMEGA ENGINEERING, INC. All rights reserved. This document may not be copied, photocopied, reproduced, translated, or reduced to any electronic medium or machine-readable form, in whole or in part, without the prior written consent of OMEGA ENGINEERING, INC.